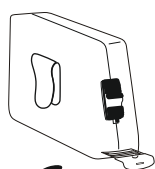
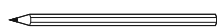
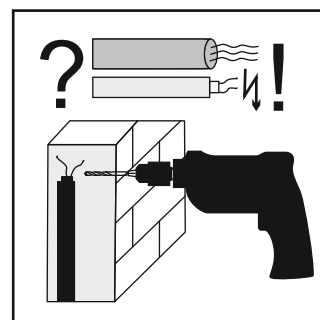
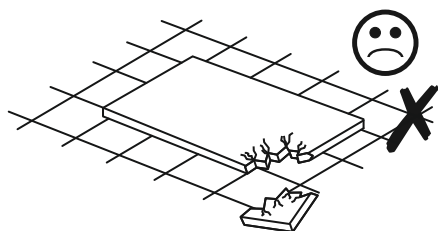
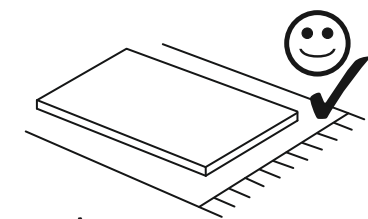
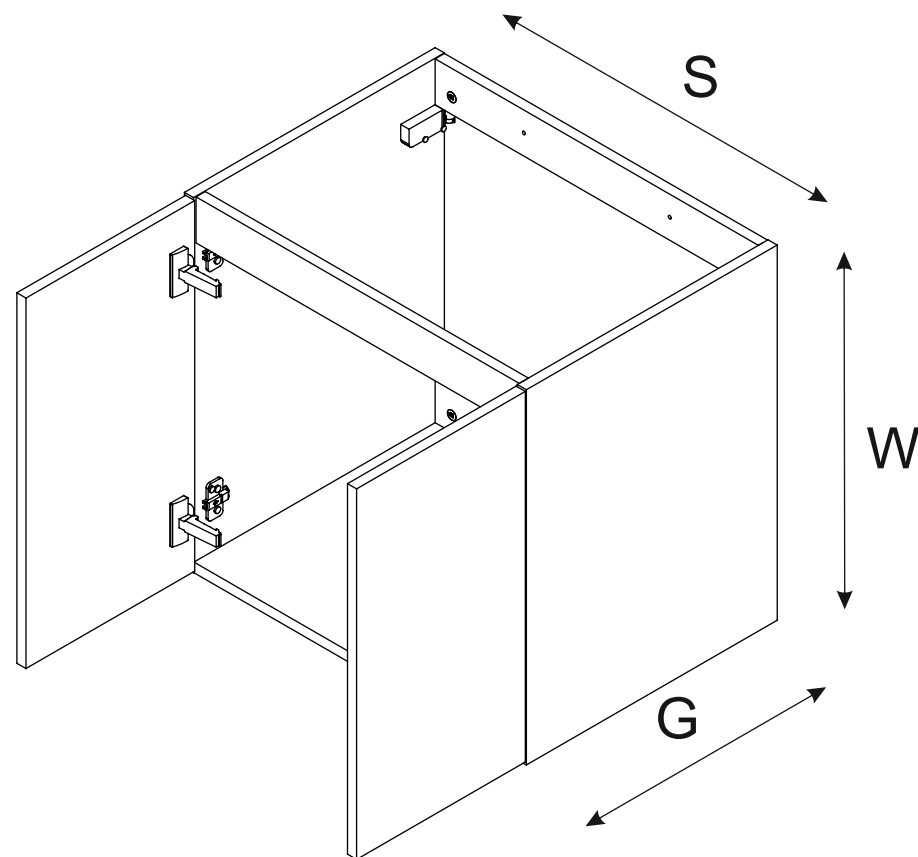
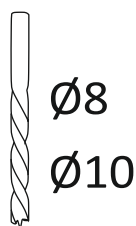
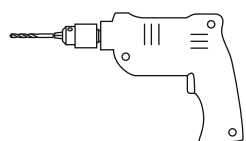
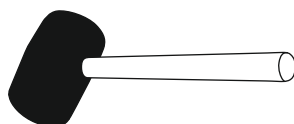
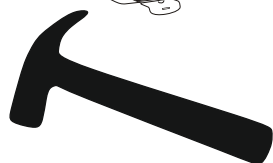
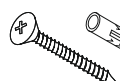



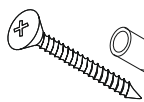

60 min



mm



2 x  Ø8 

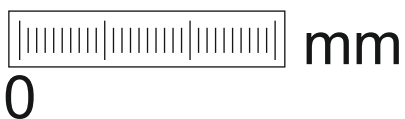
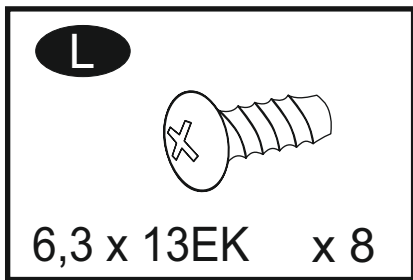
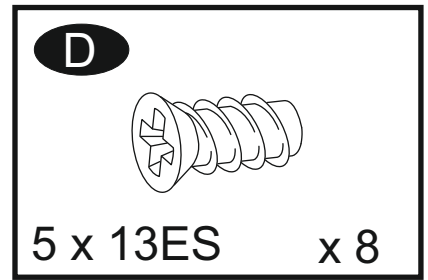
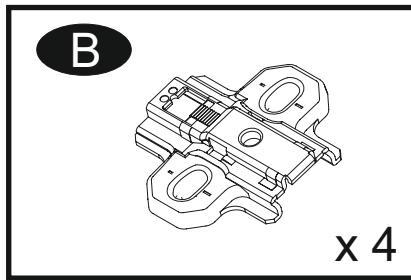
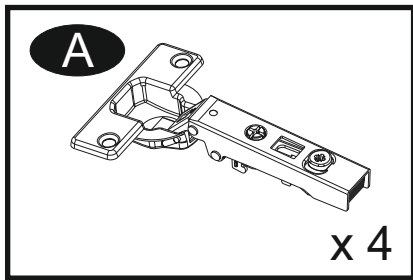
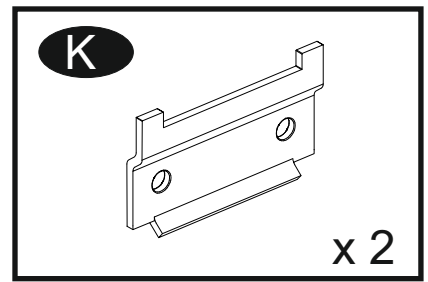
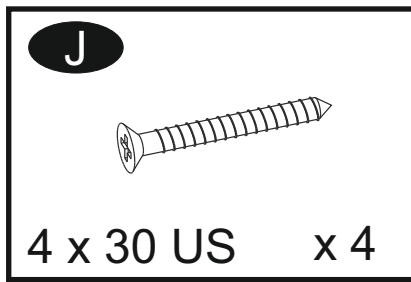
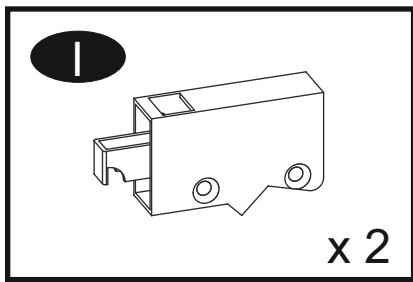
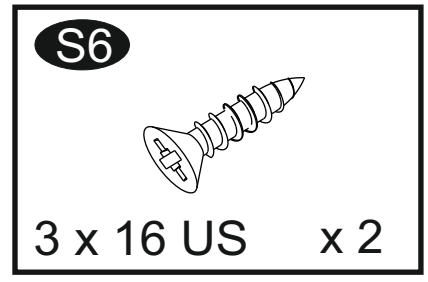
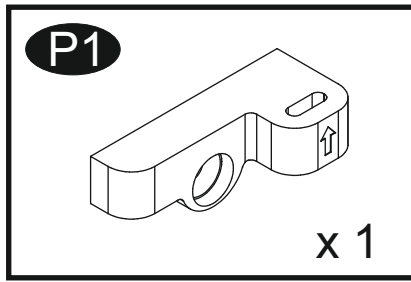
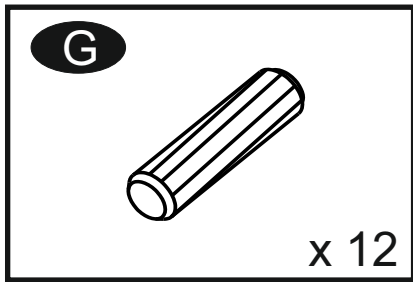
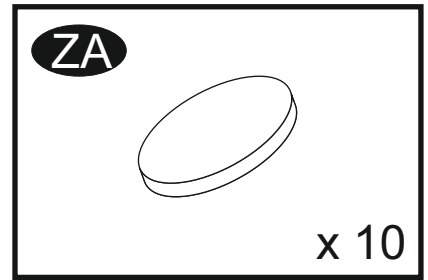
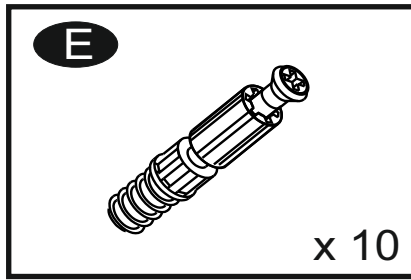
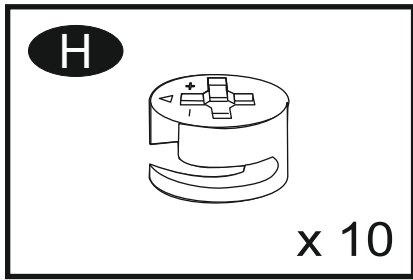
4 x  Ø10 

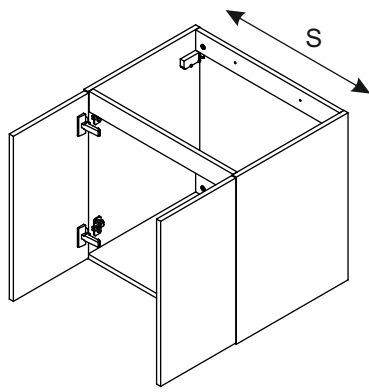


0

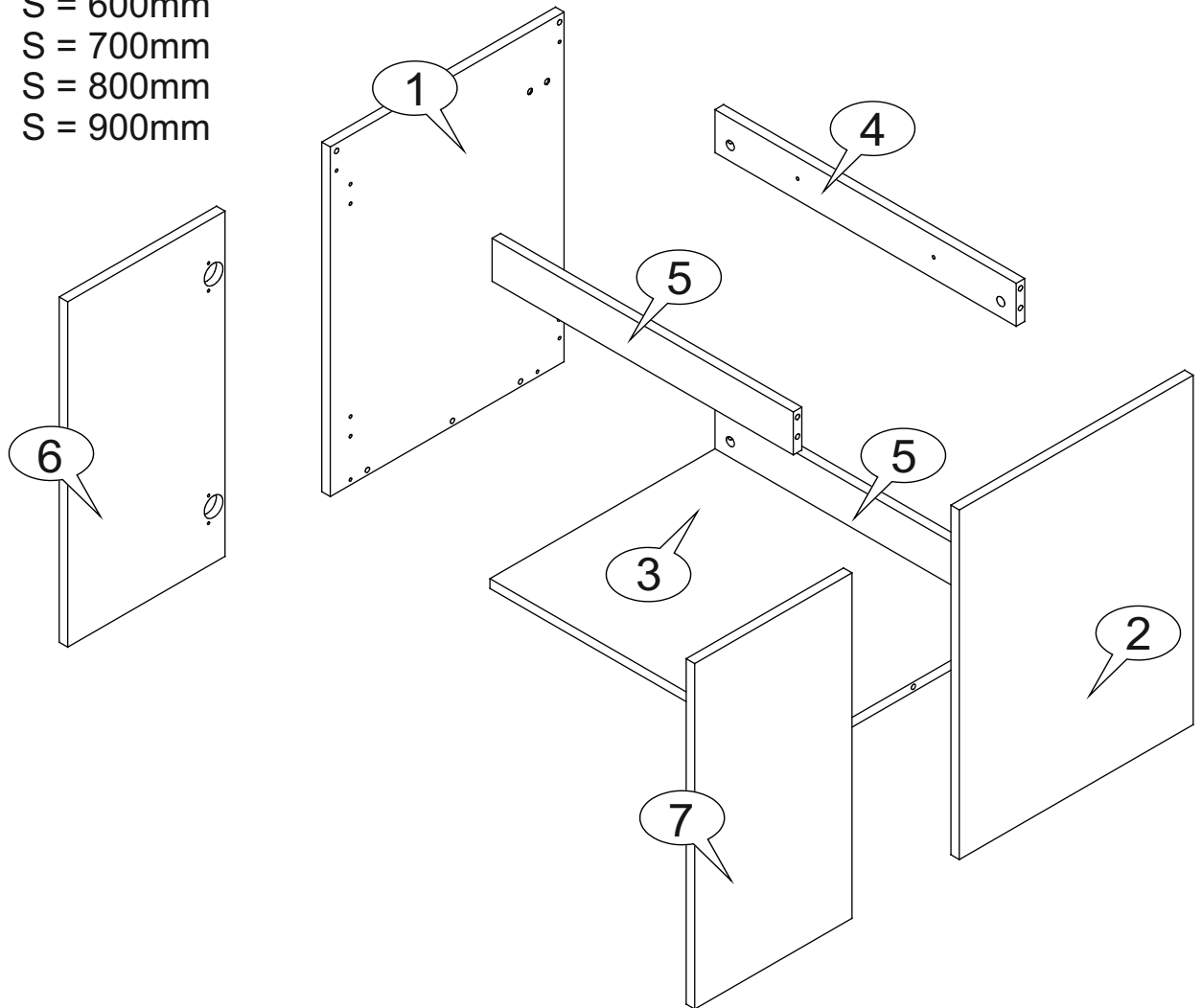
mm

S [mm]	W [mm]	G [mm]
600	570	440
700	570	440
800	570	440
900	570	440





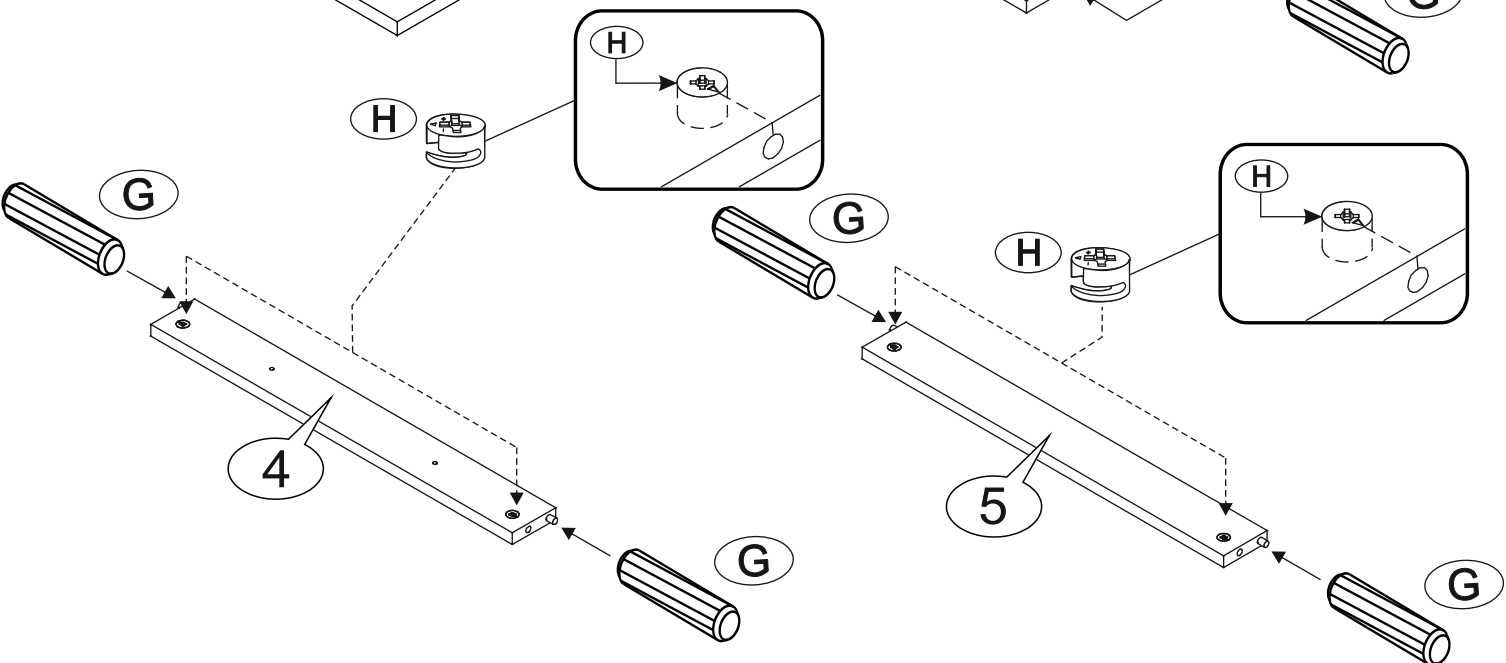
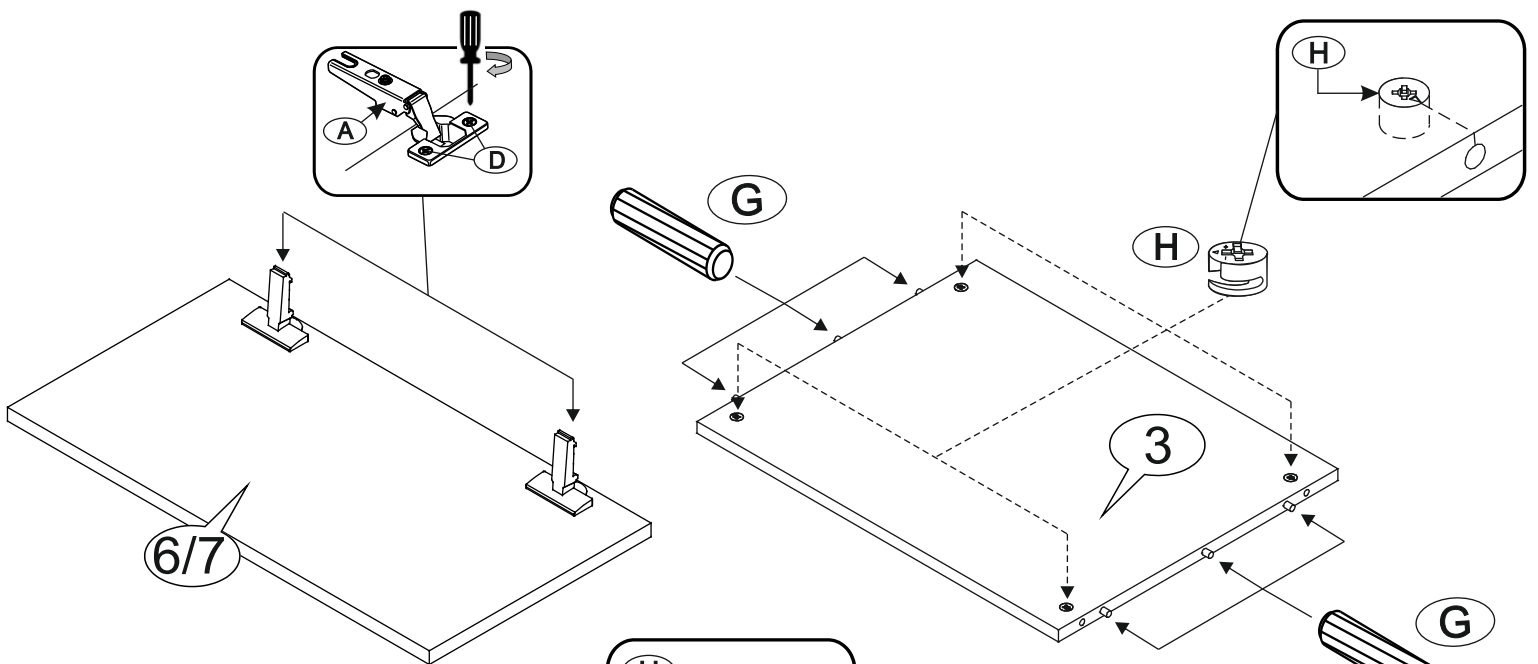
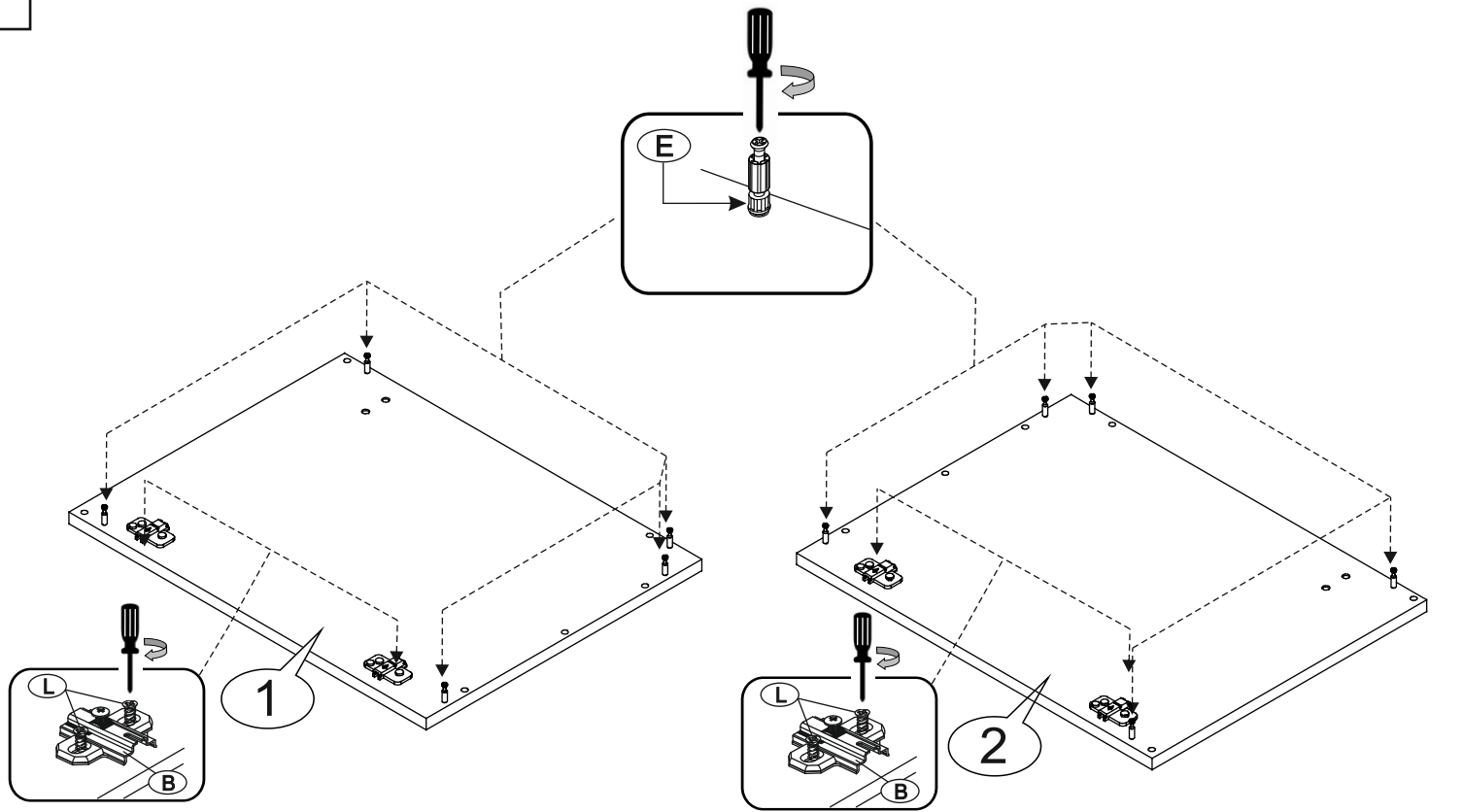
S = 600mm
 S = 700mm
 S = 800mm
 S = 900mm

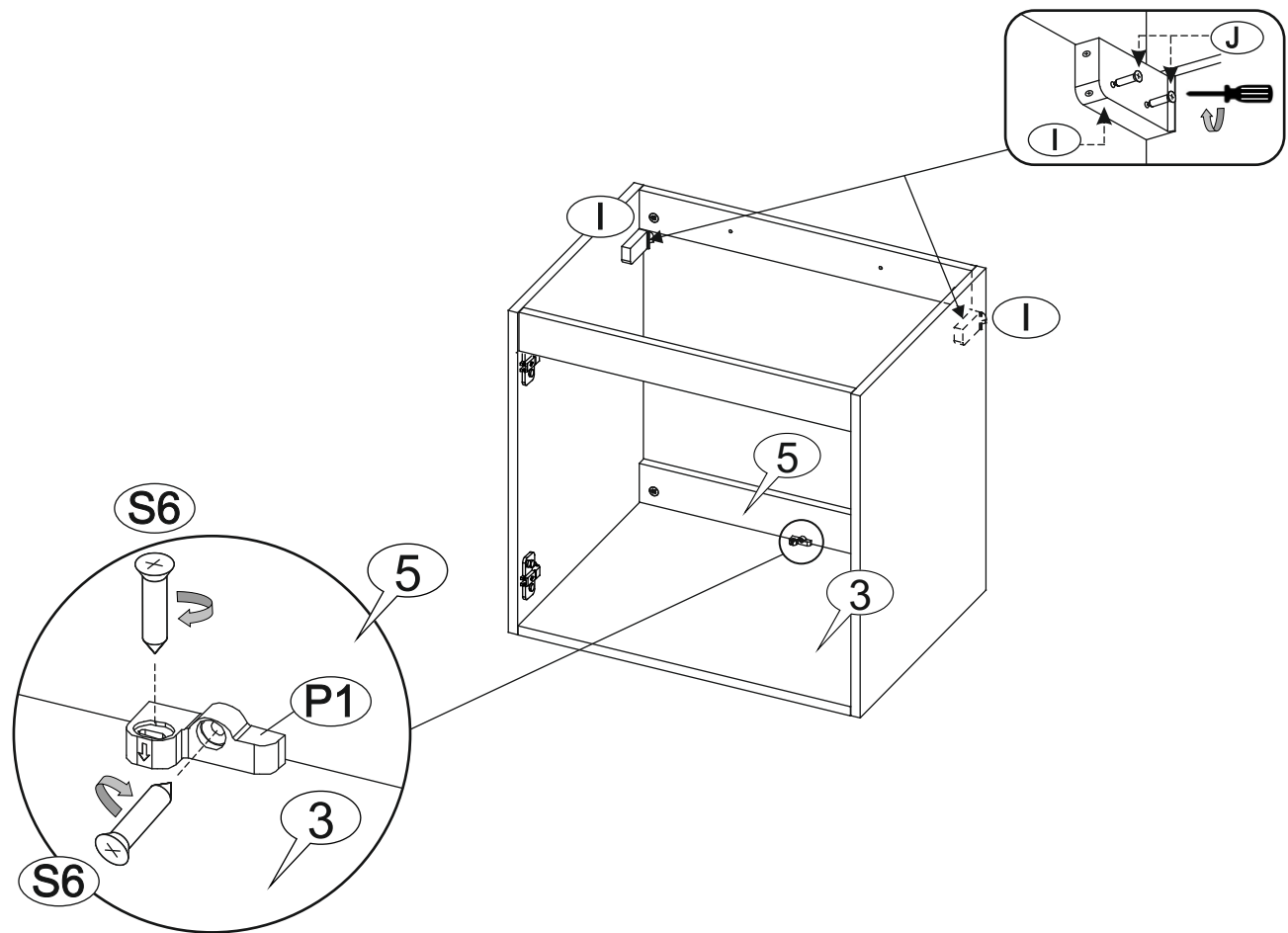
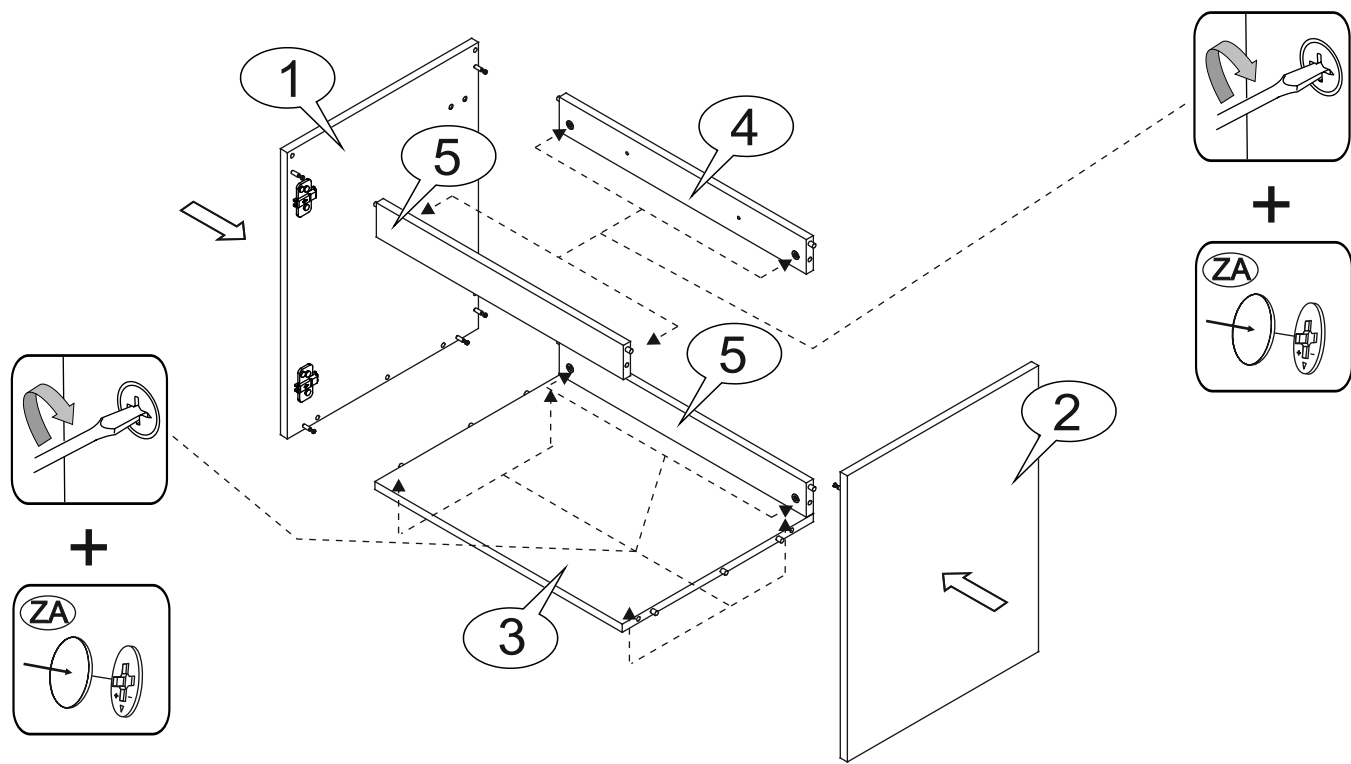


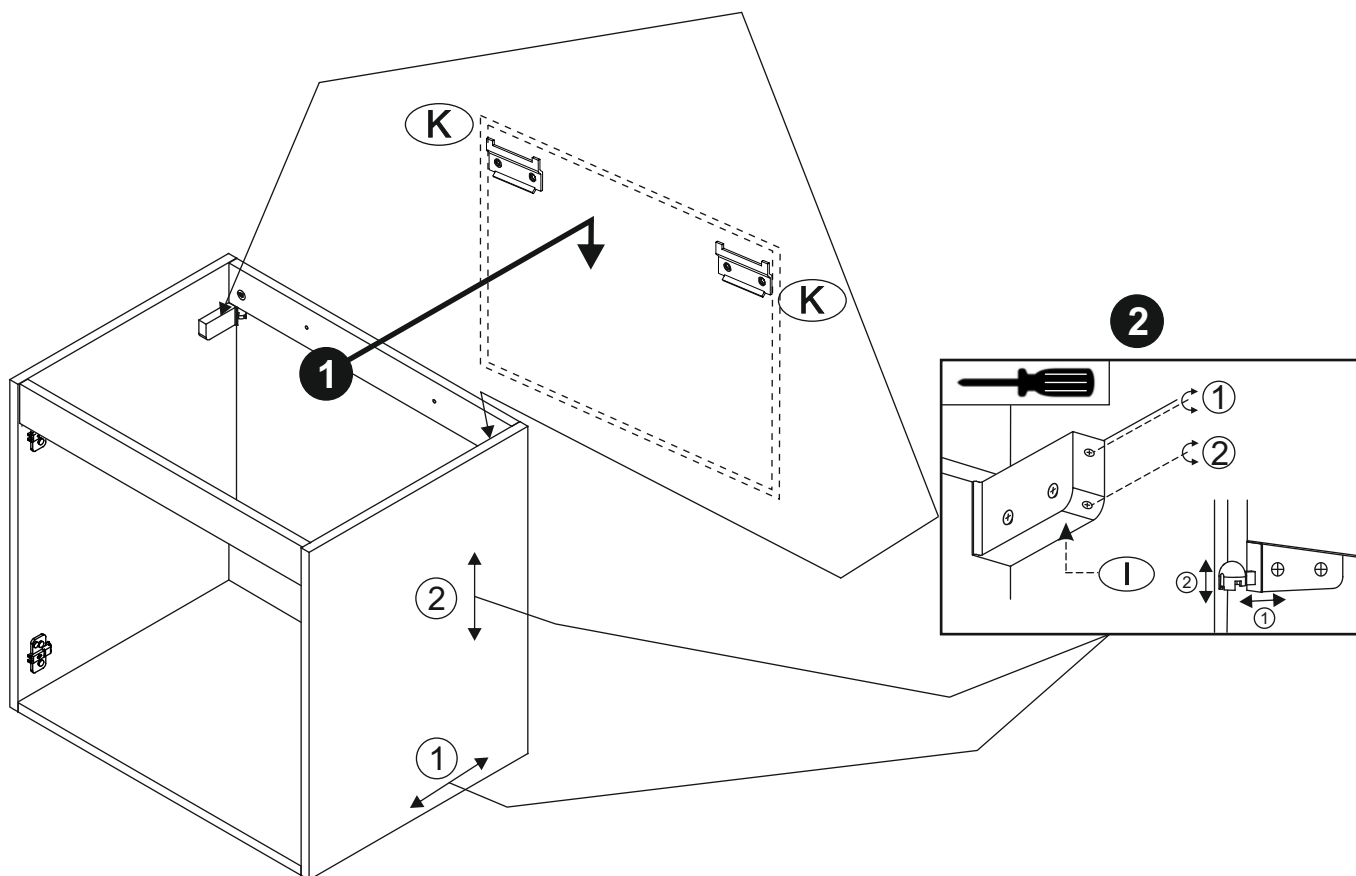
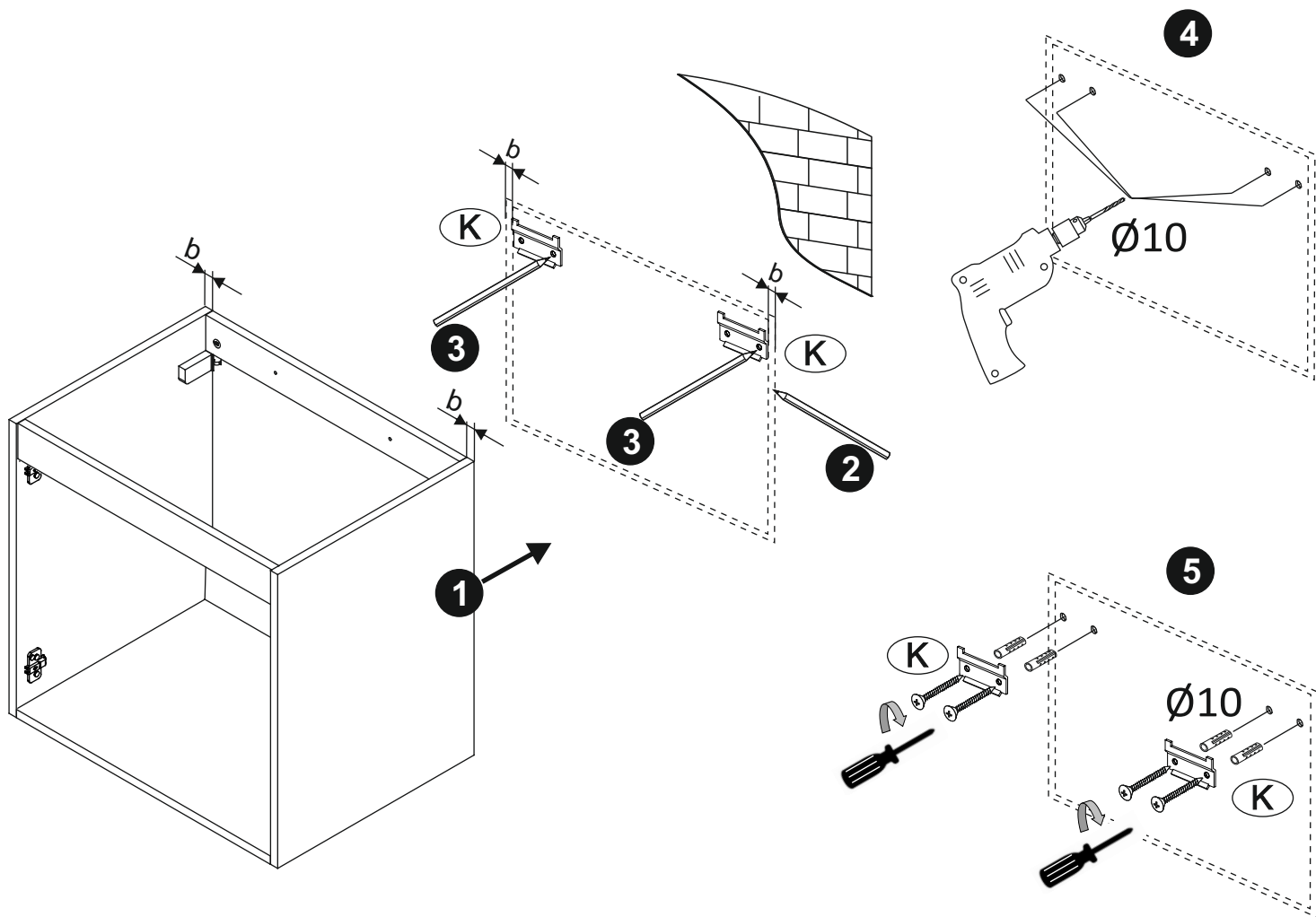
1	440	570	x 1
2	440	570	x 1
3	S-33mm	440	x 1
4	S-33mm	70	x 1
5	S-33mm	70	x 2
6	S/2-4mm	563	x 1
7	S/2-4mm	563	x 1



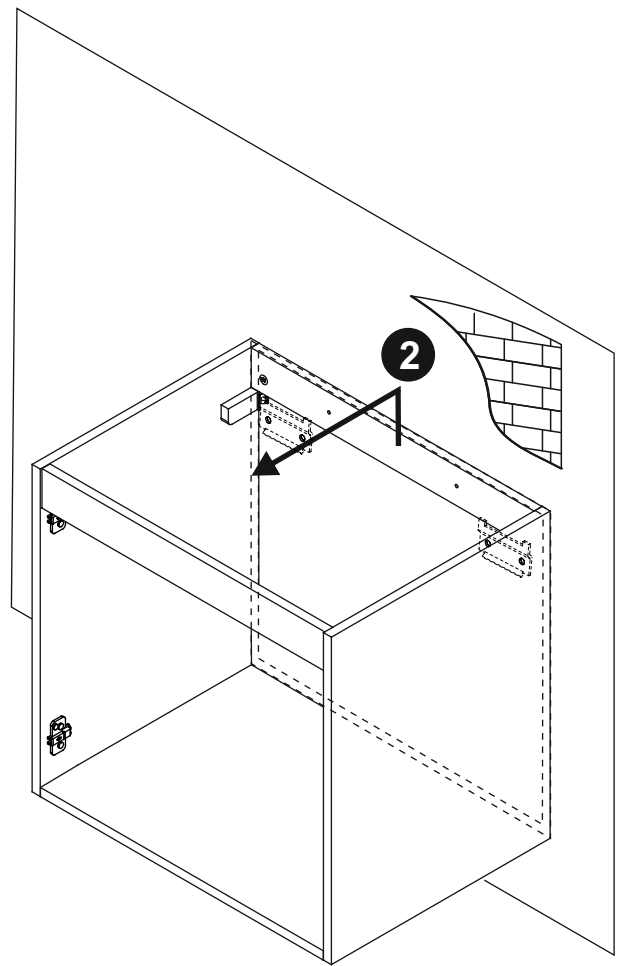
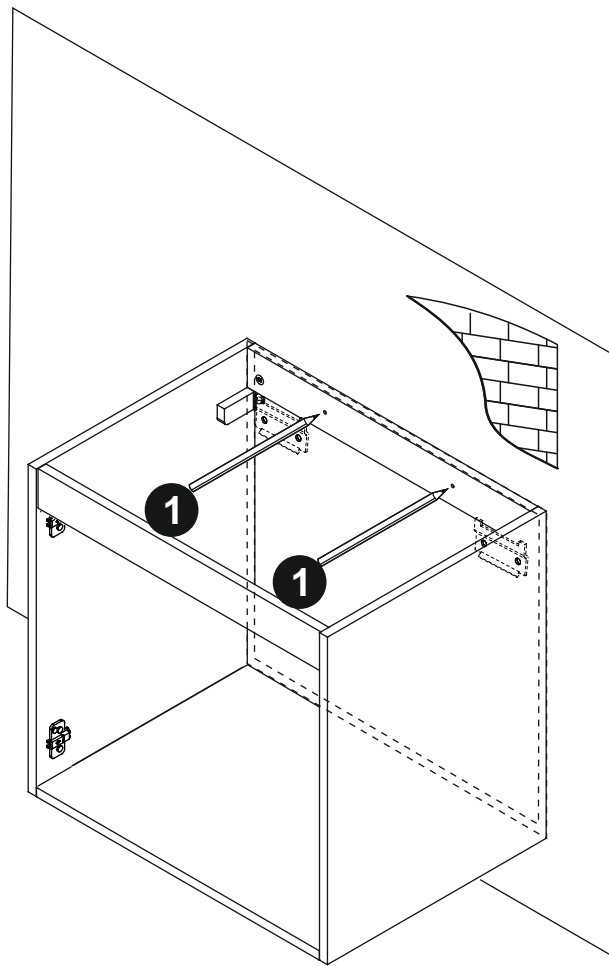
0



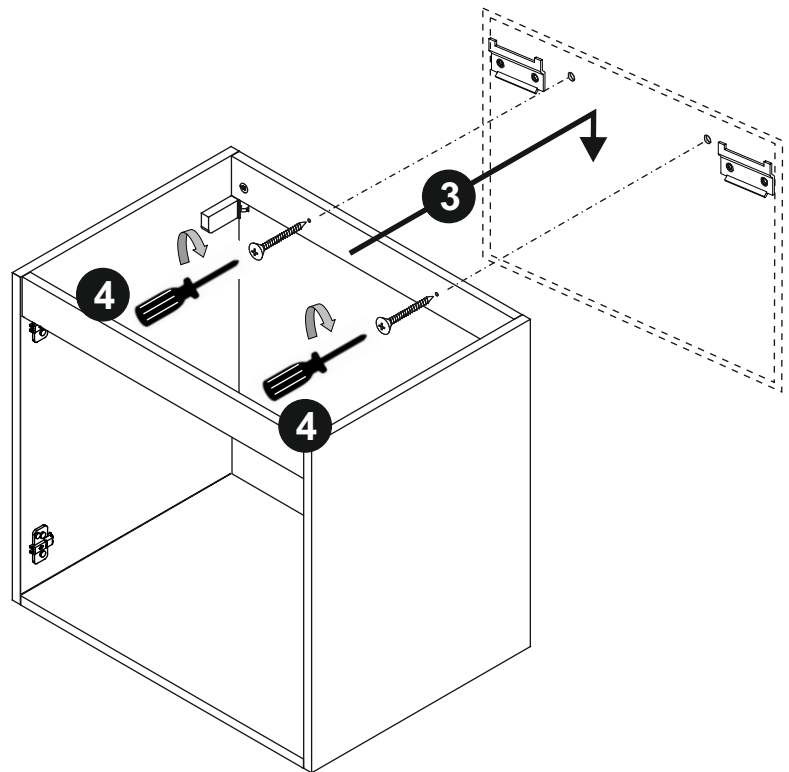
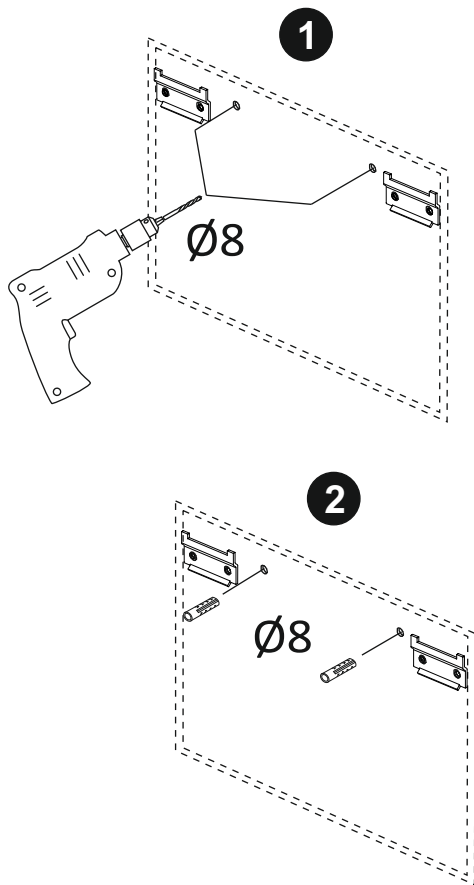




6



7



max
5 kg

