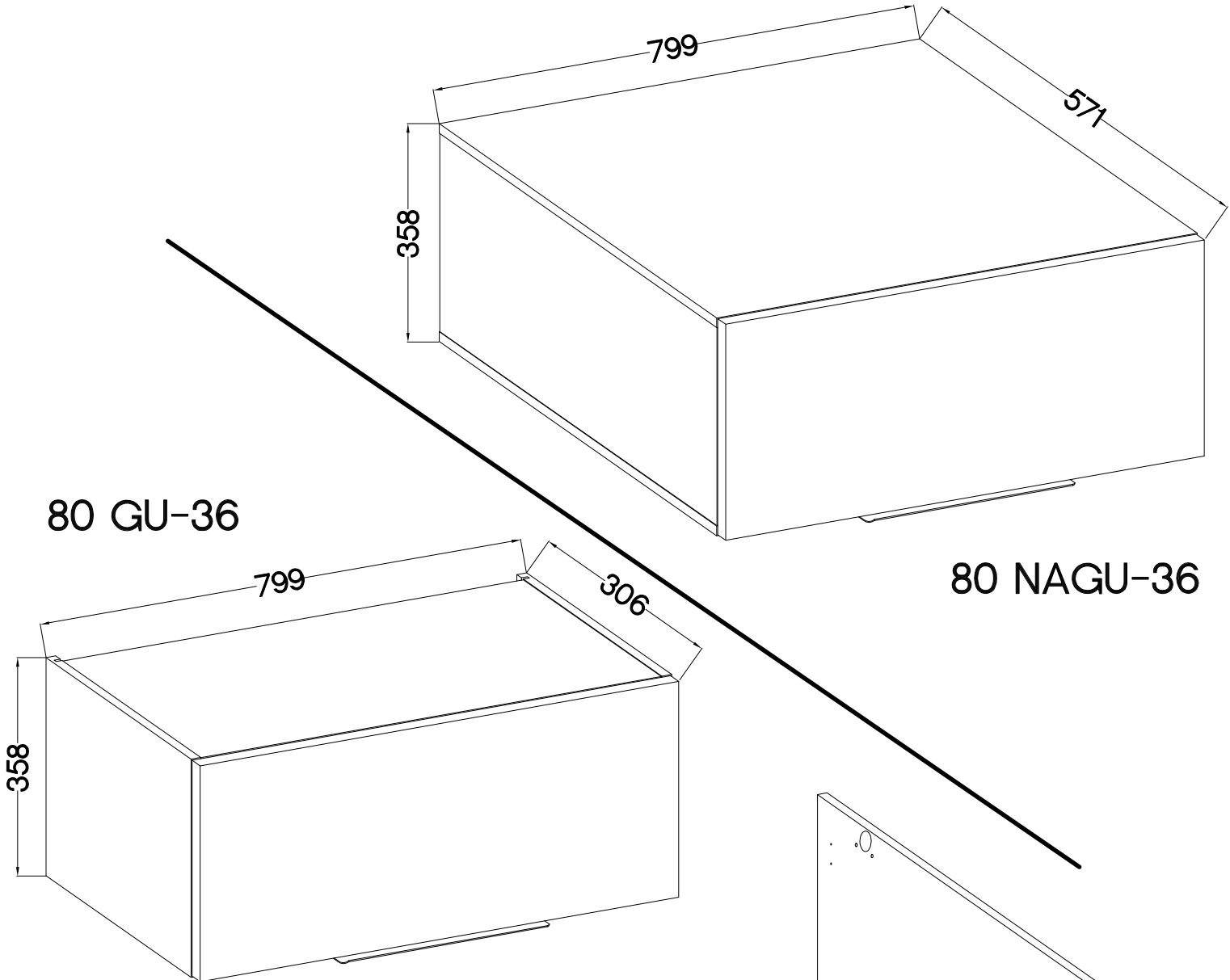
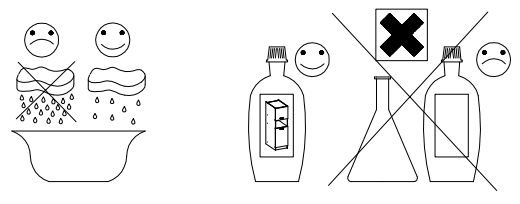
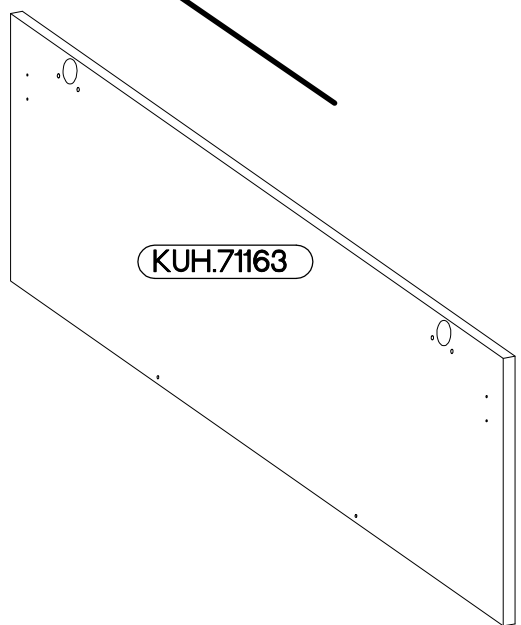


355x796  
FRONT



80 GU-36

80 NAGU-36



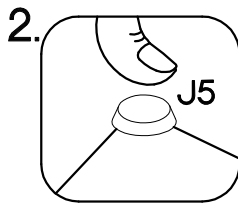
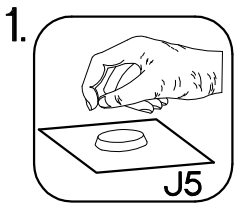
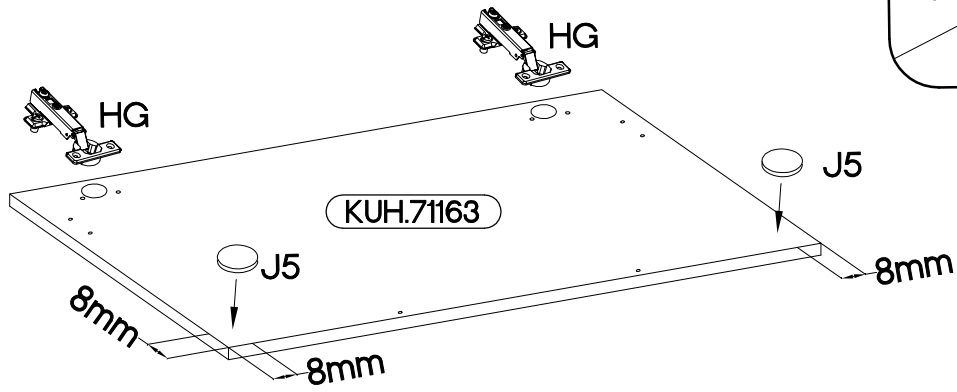
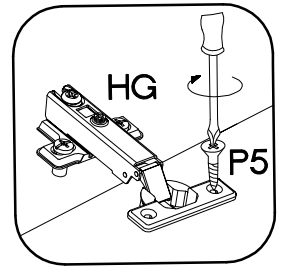
L=320mm	±7/2mm
S	J5
1	2

Ersatzteil Nummer	Dimension
KUH.71163	355x796x16

ISM-KUH-02018

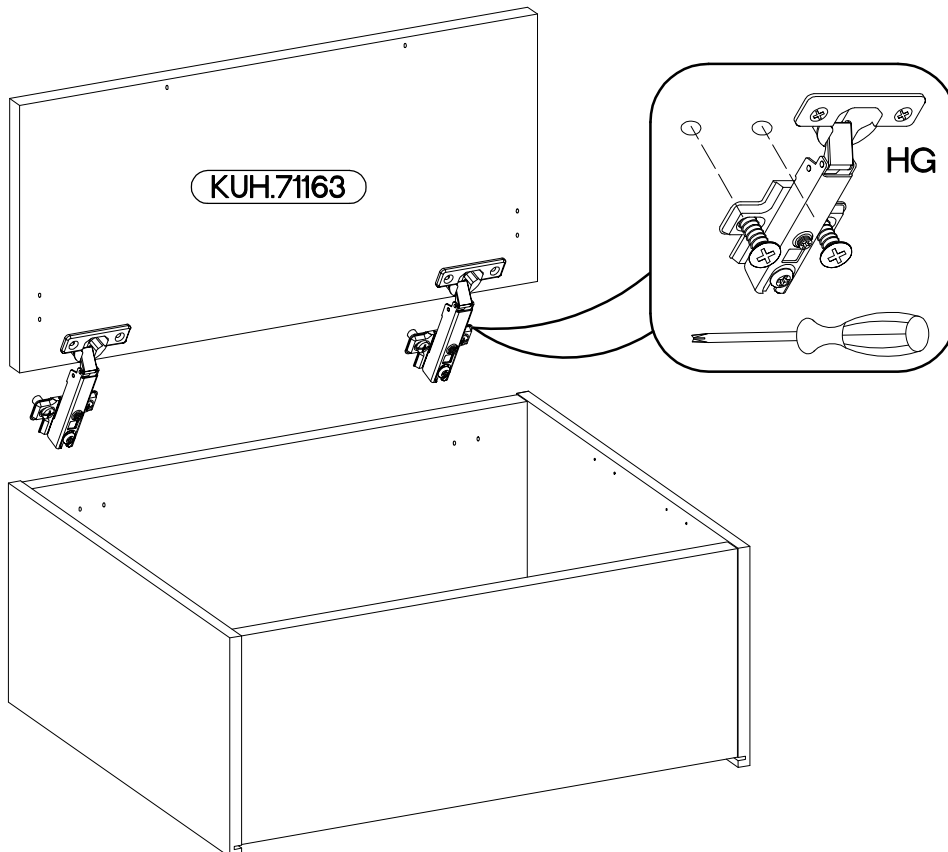
1

±35/0mm [CD] HG	±3.5x13mm P5	±7/2mm J5
2	4	2

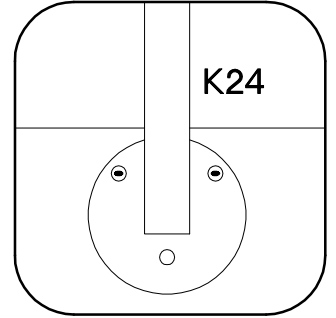
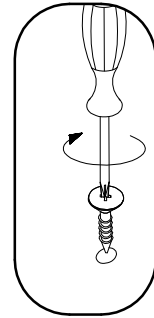
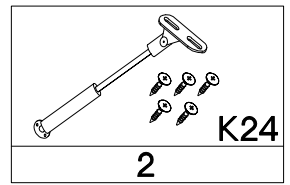
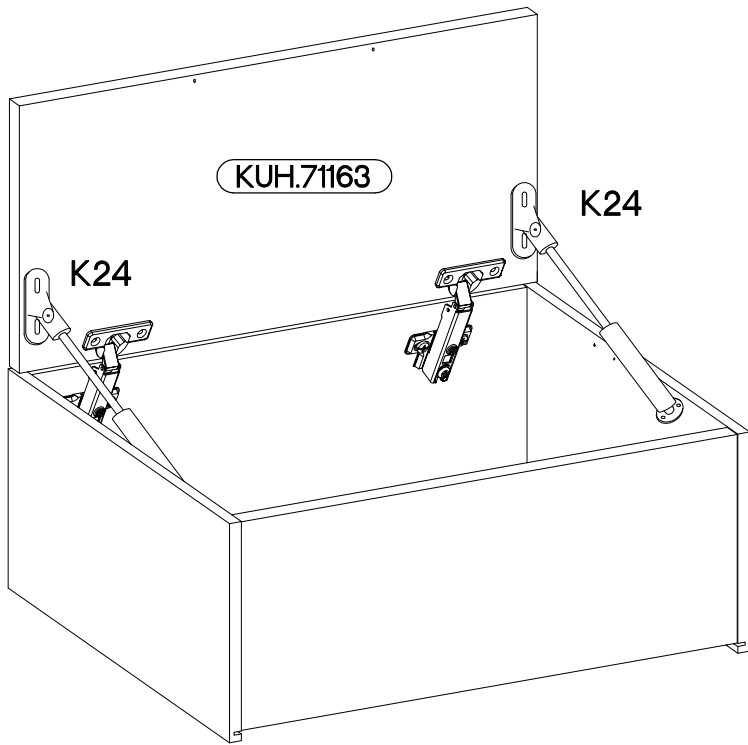


2

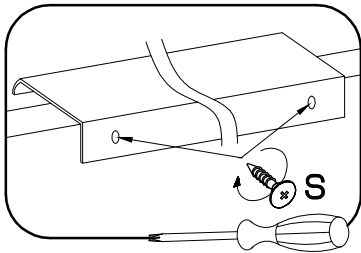
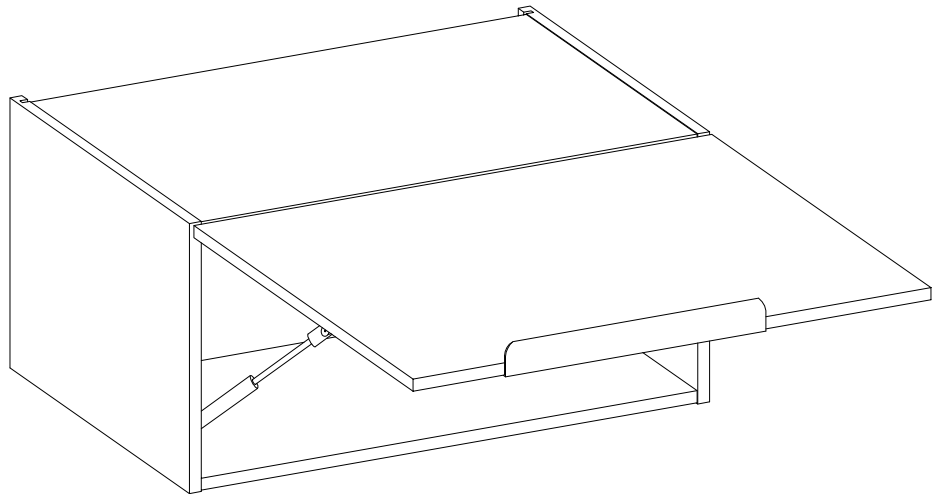
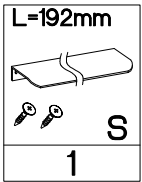
80 GU-36



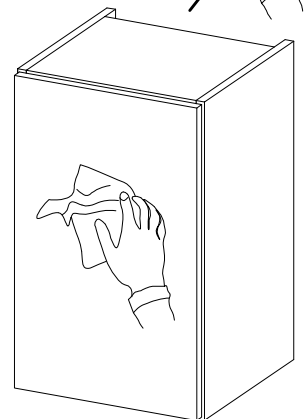
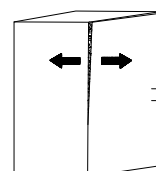
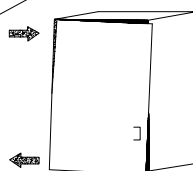
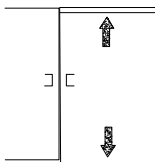
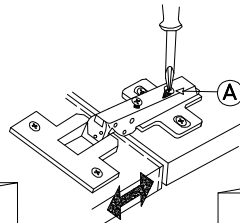
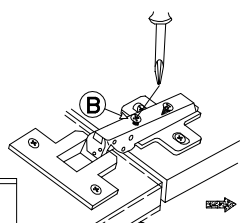
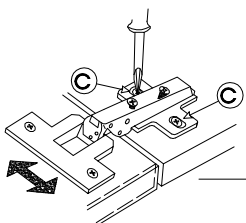
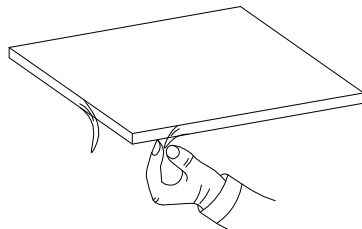
3



4

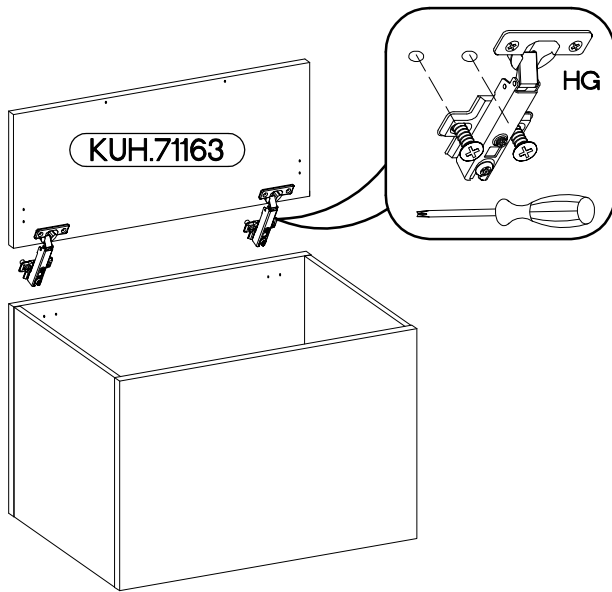


### VARIANT HIGH GLOSS

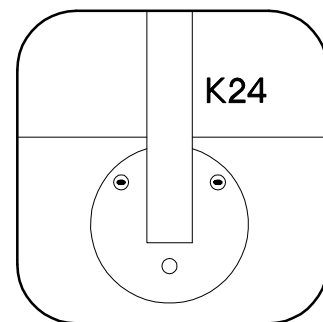
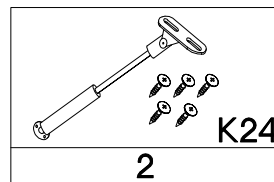
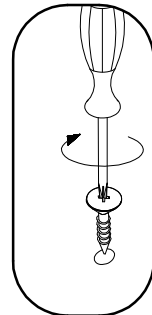
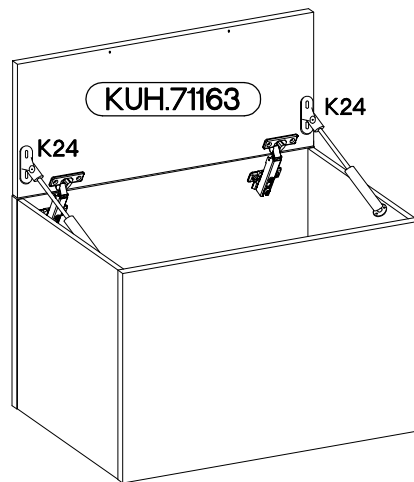


5

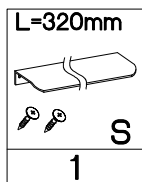
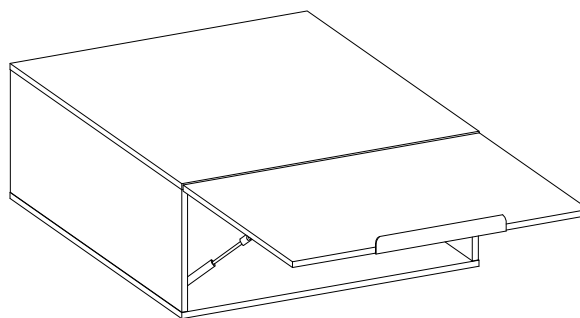
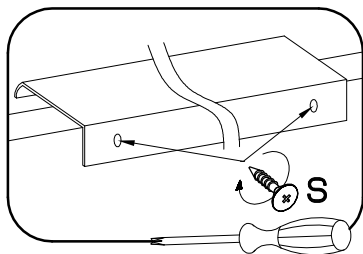
80 NAGU-36



6



7



### VARIANT HIGH GLOSS

