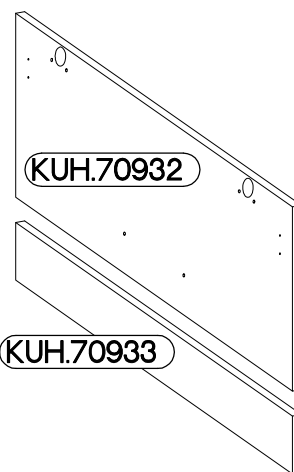
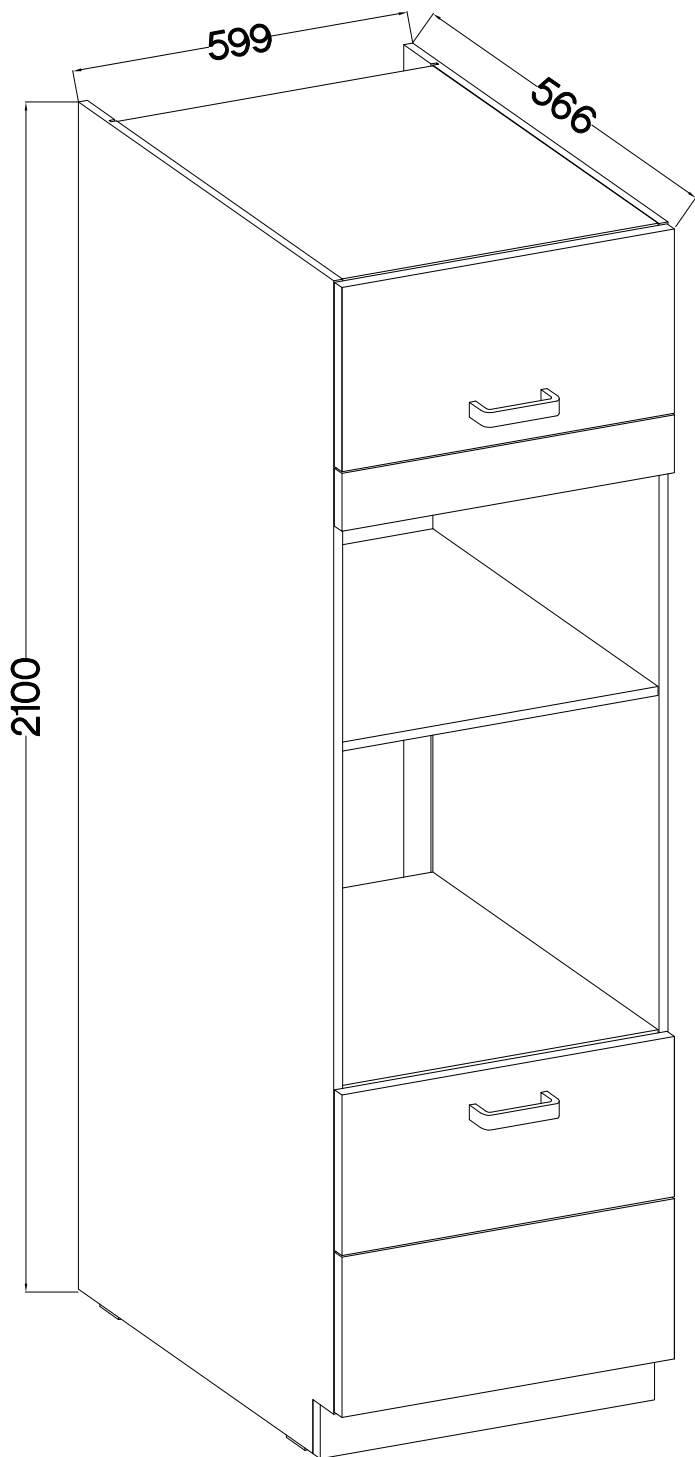
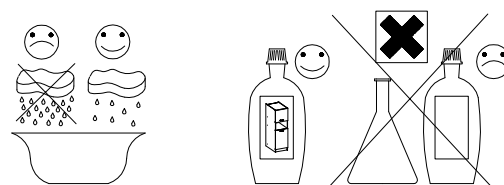
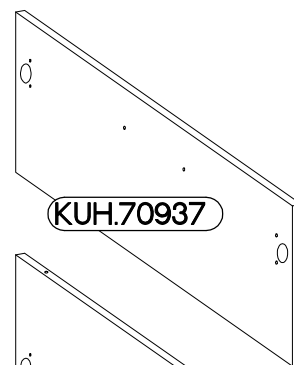


0.5h

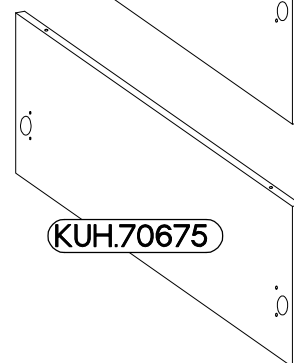
60 DPM-2100 2F
FRONT



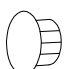



KUH.70933



KUH.70937



KUH.70675

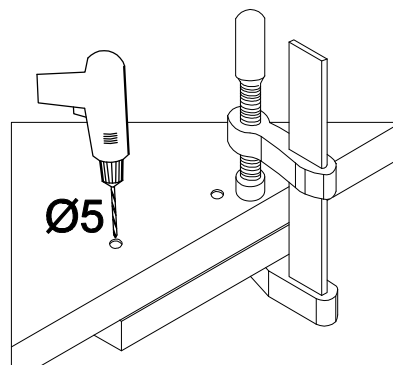
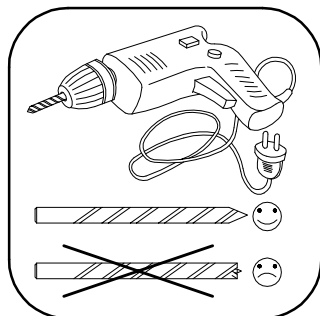
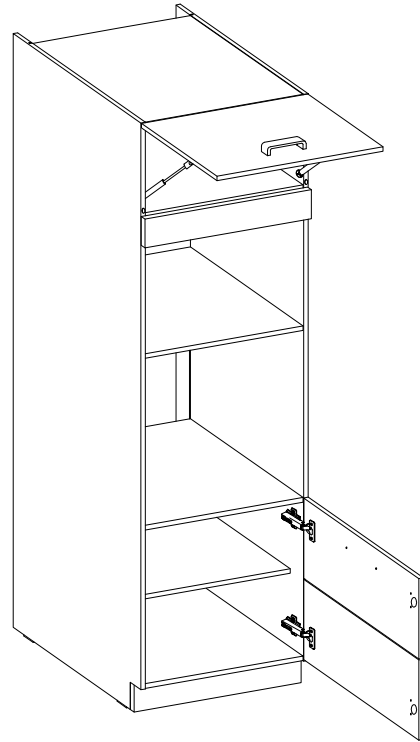
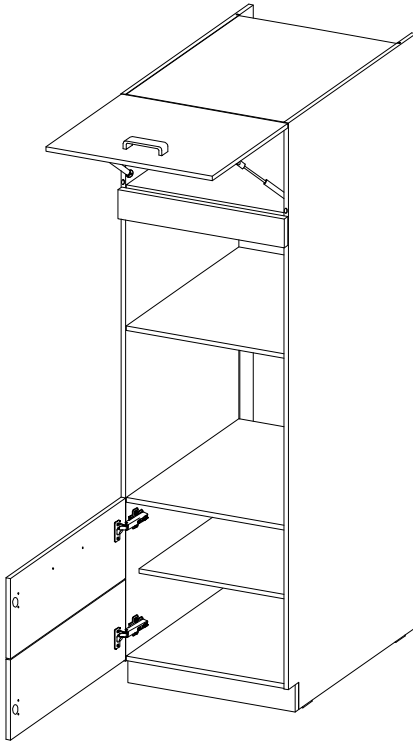
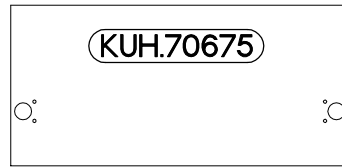
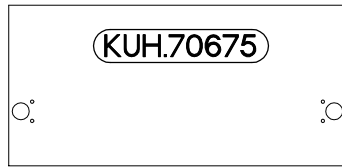
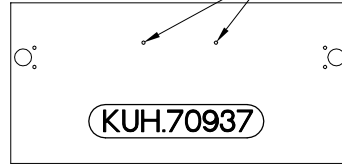
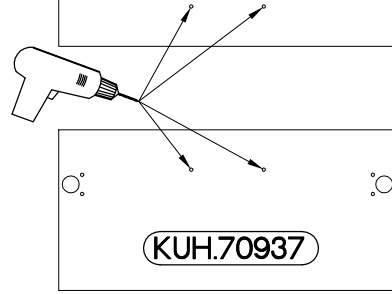
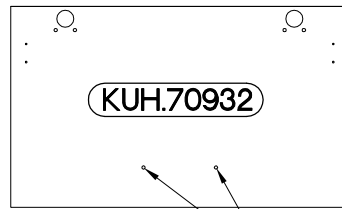
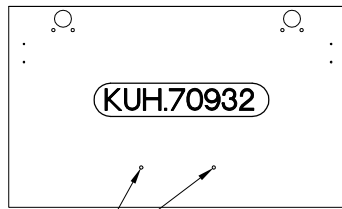
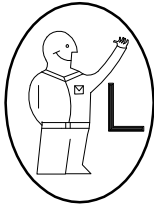
 E5 2	 K28 2	 S23 2	 M4x22mm U 4
---	---	---	--

Ersatzteil Nummer	Dimension
KUH.70932	596x325x16
KUH.70933	596x102x16
KUH.70937	596x283x16
KUH.90675	596x283x16

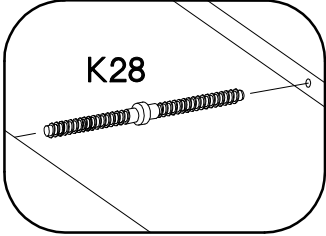
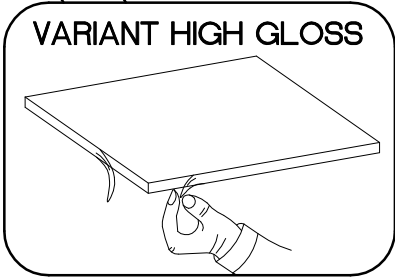
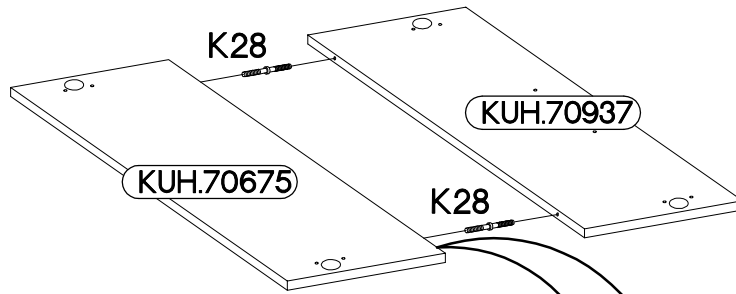
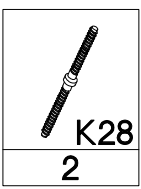
ISM-KUH-01383

LEFT

RIGHT

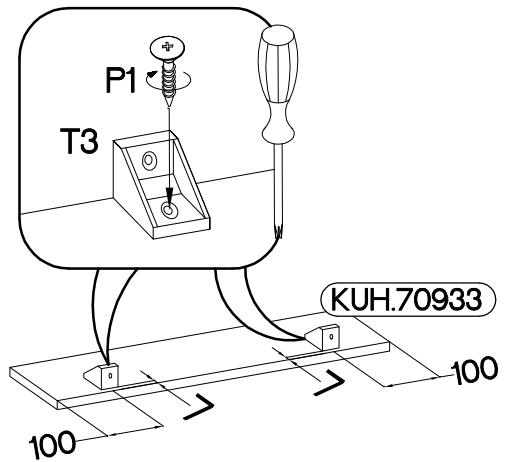
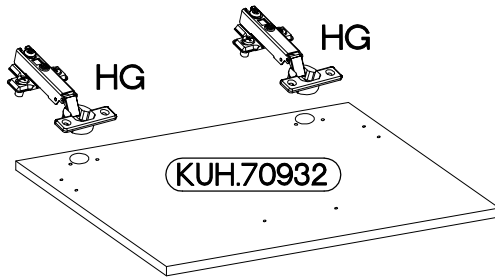
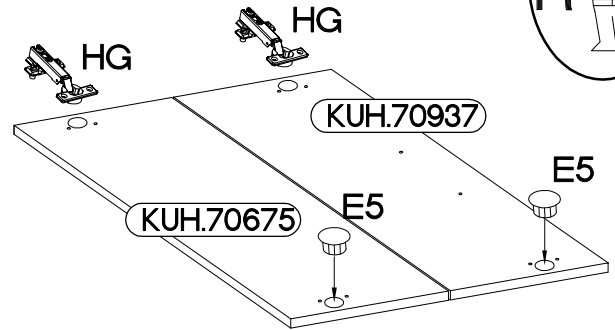
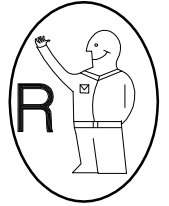
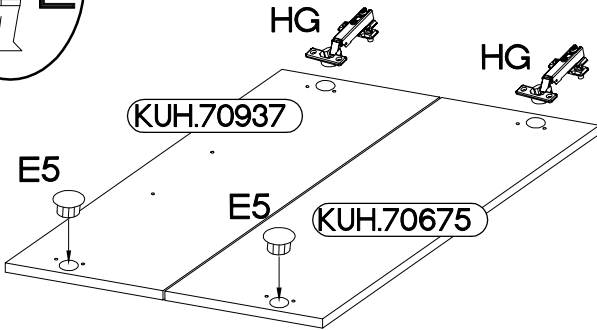
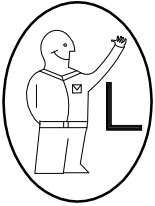
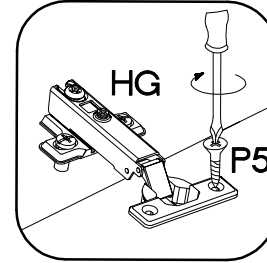


2



3

±35/0mm HG 4	±3.5x13mm P5 8	±35mm E5 2	T3 2	±4.0x16mm P1 2
--------------------	----------------------	------------------	---------	----------------------



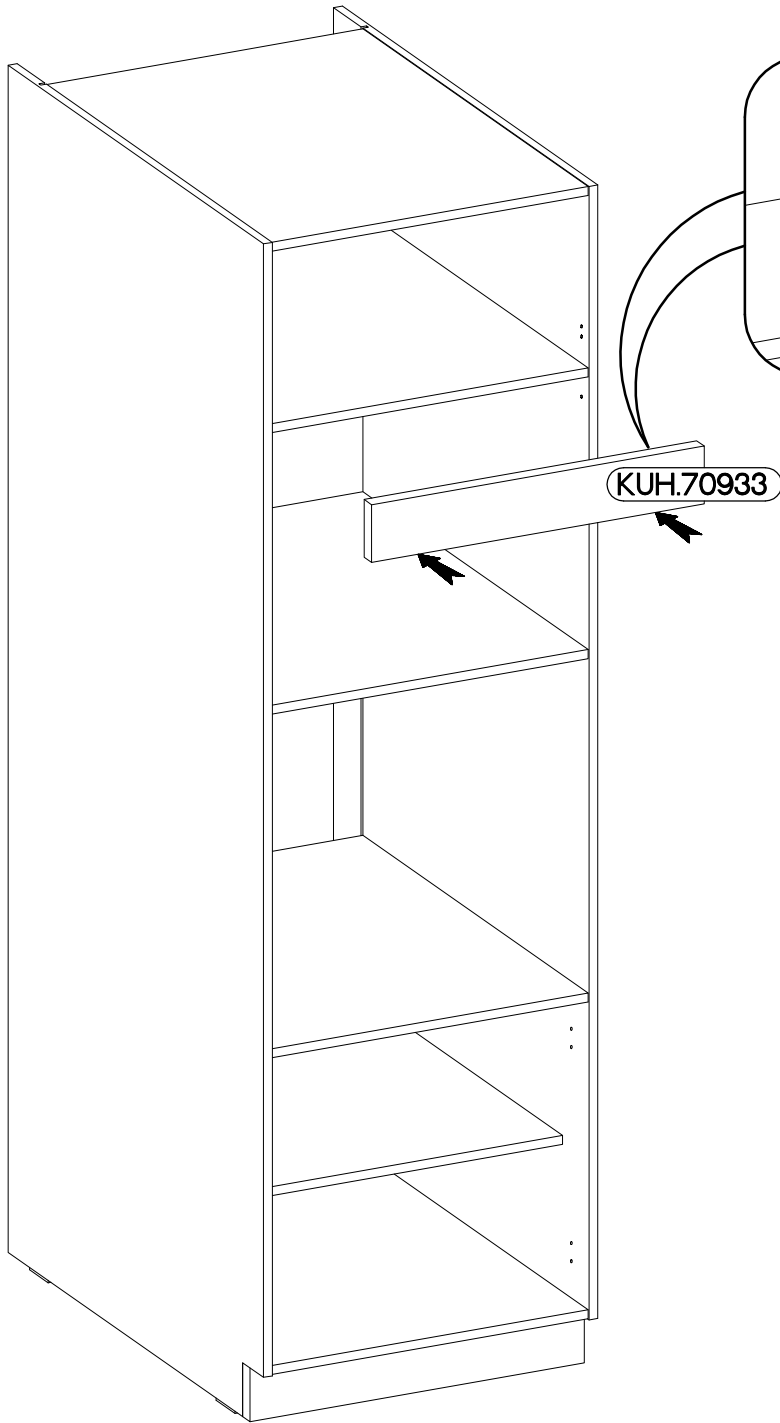
4

4.0x16mm

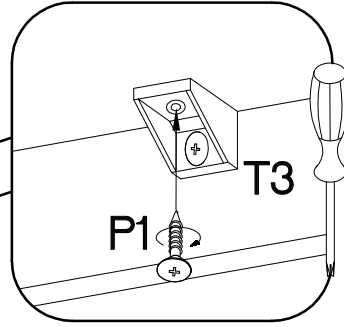


P1

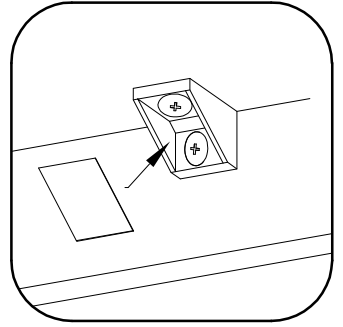
2




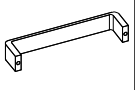
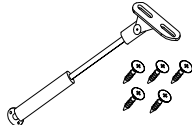

1.

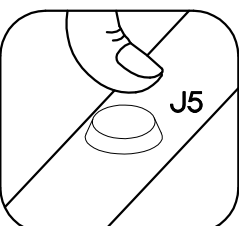
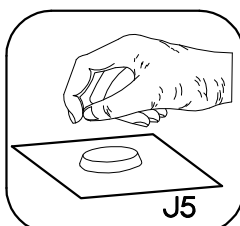
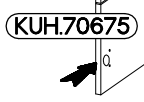
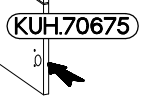
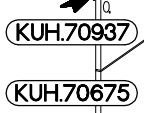
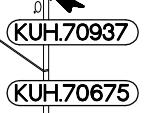
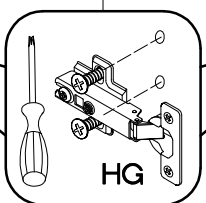
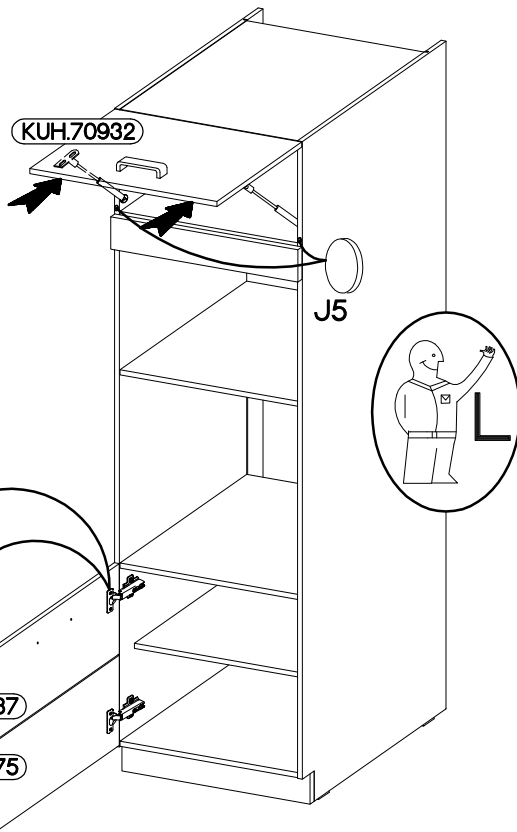
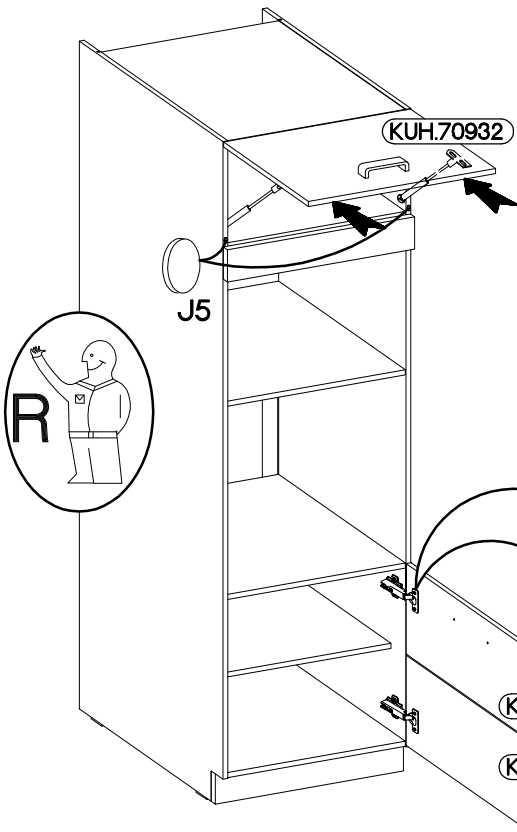
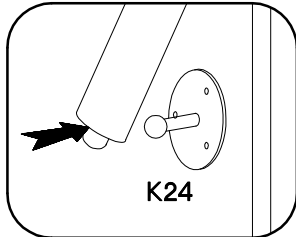
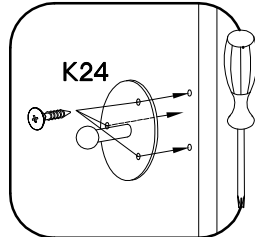
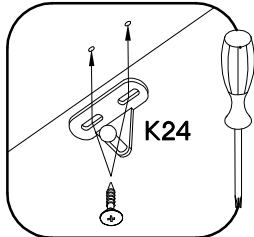
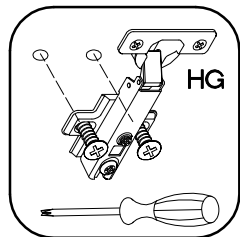
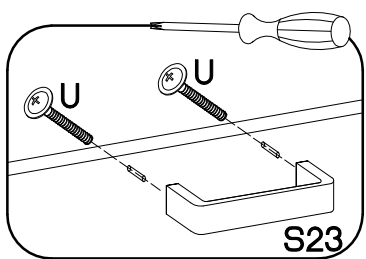


2.



5

M4x22mm  U 4	 S23 2	 K24 2	 J5 2
---	--	--	---



VARIANT HIGH GLOSS

