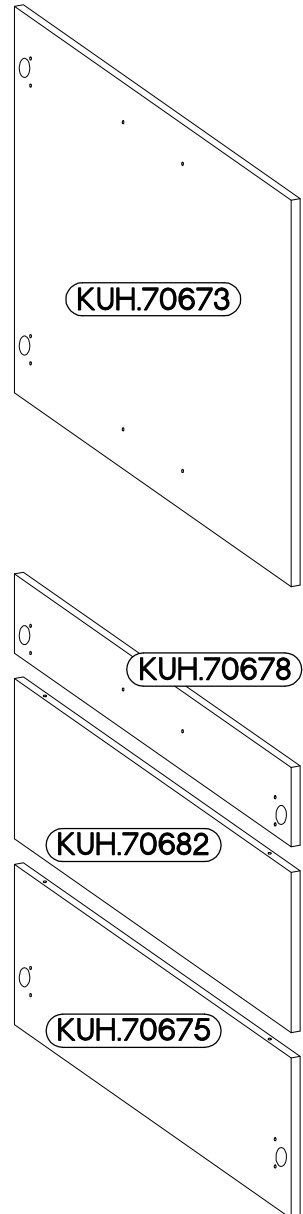
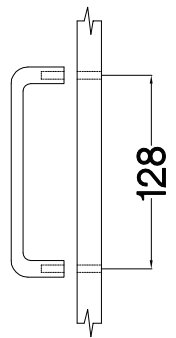
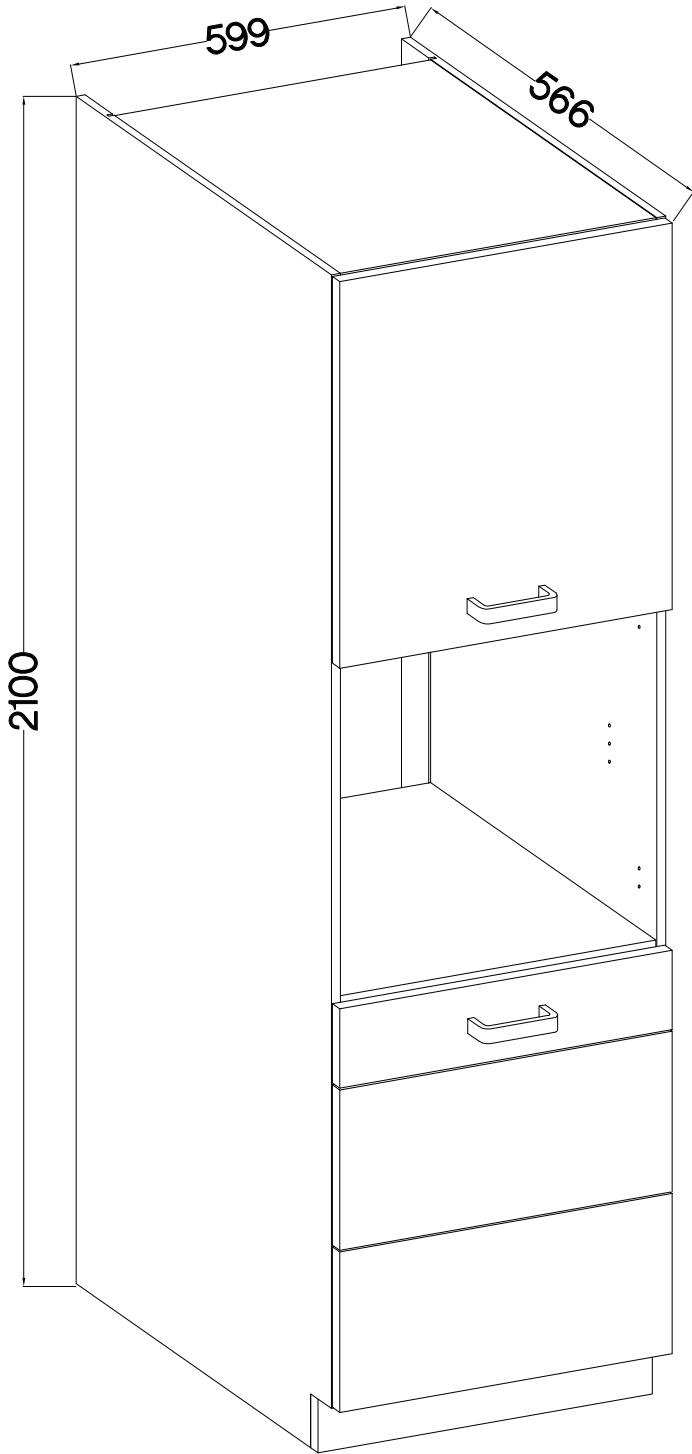
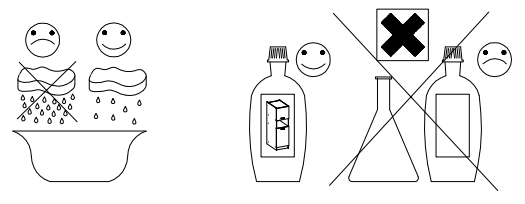
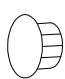





60 DP-2100 2F  
FRONT



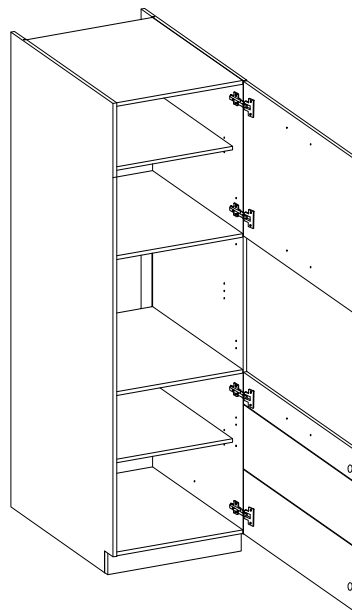
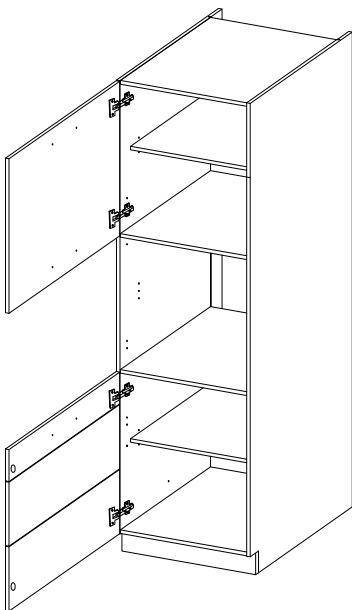
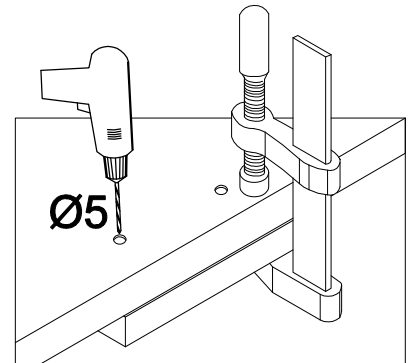
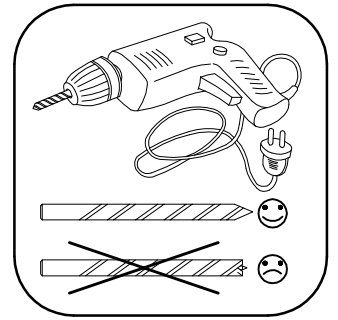
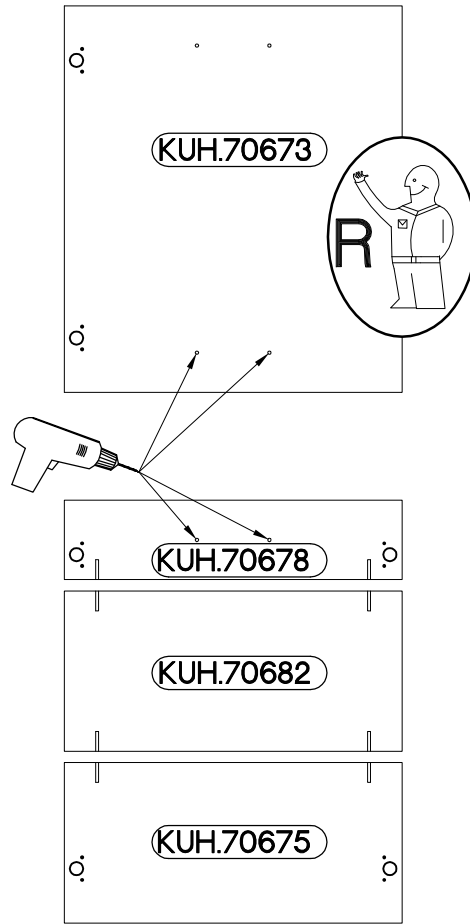
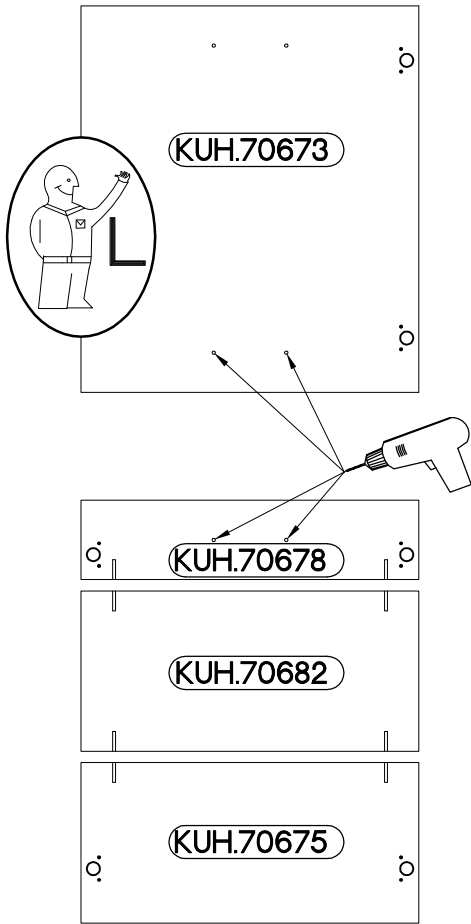
 E5 2	 K28 4	 S23 2	 M4x22mm U 4
---	---	---	--

Ersatzteil Nummer	Dimension
KUH.70673	596x682x16
KUH.70678	596x140x16
KUH.70682	596x283x16
KUH.70675	596x283x16

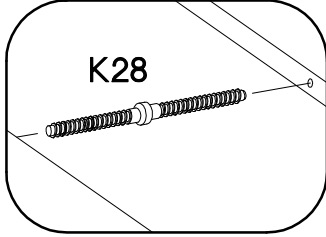
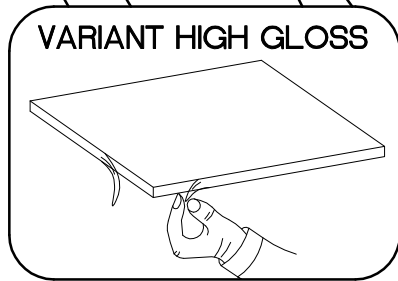
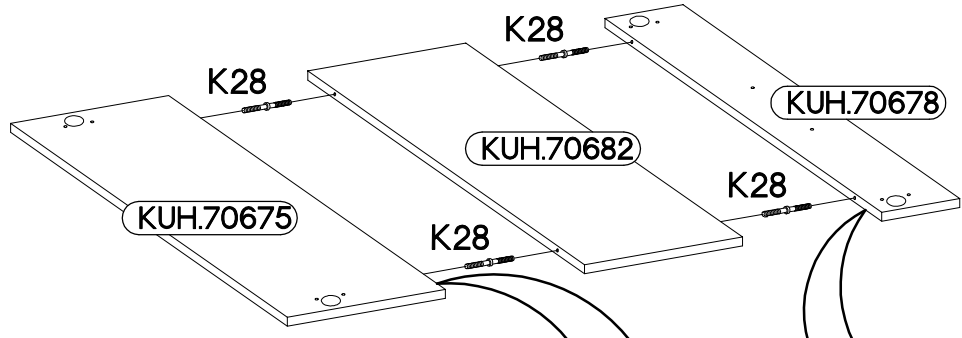
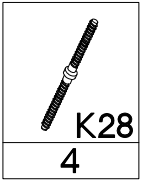
ISM-KUH-01180

LEFT

RIGHT

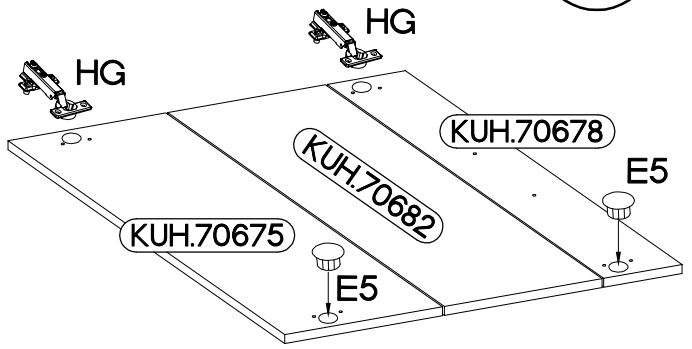
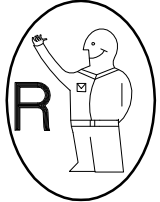
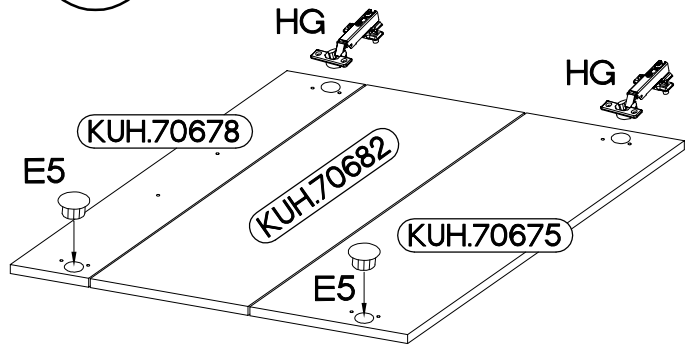
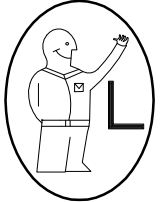
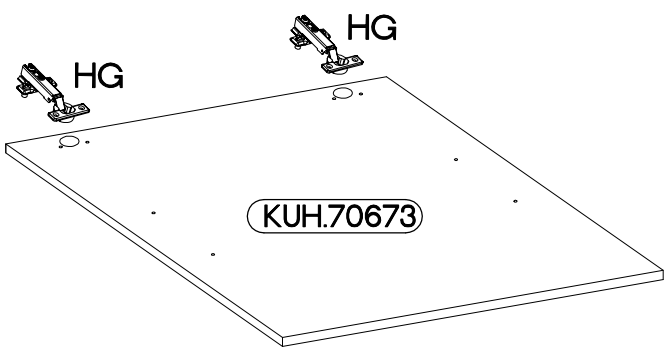
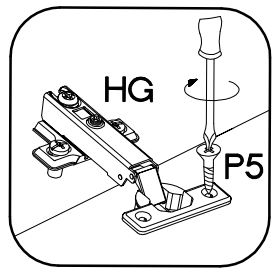


2



3

±35/0mm	±3.5x13mm	±35mm
HG	P5	E5
5	10	2



4

M4x22mm



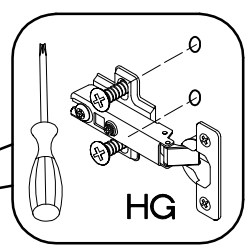
U

4

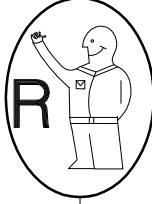


S23

2



HG



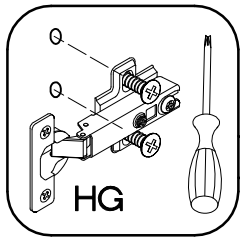
R

KUH.70673

KUH.70678

KUH.70682

KUH.70675



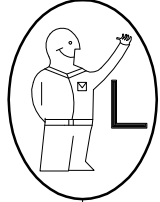
HG

KUH.70673

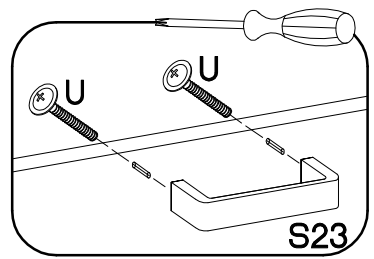
KUH.70678

KUH.70682

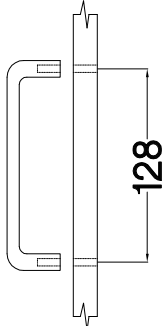
KUH.70675



L



S23



128

### VARIANT HIGH GLOSS

