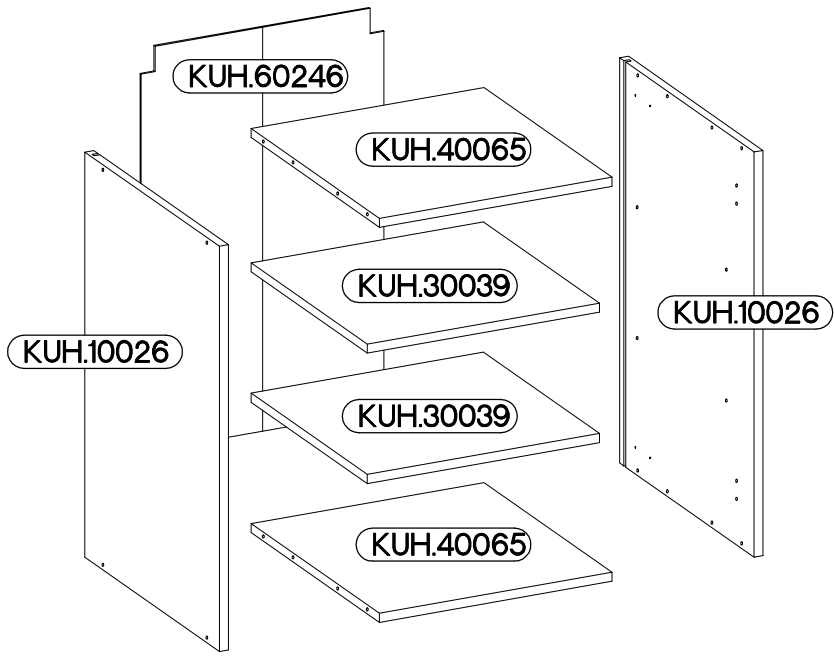
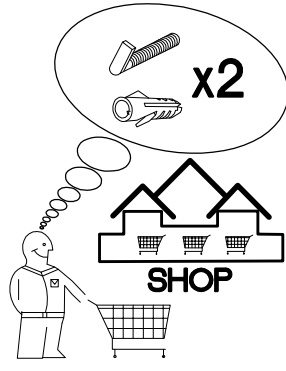
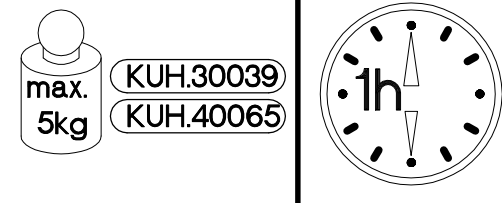
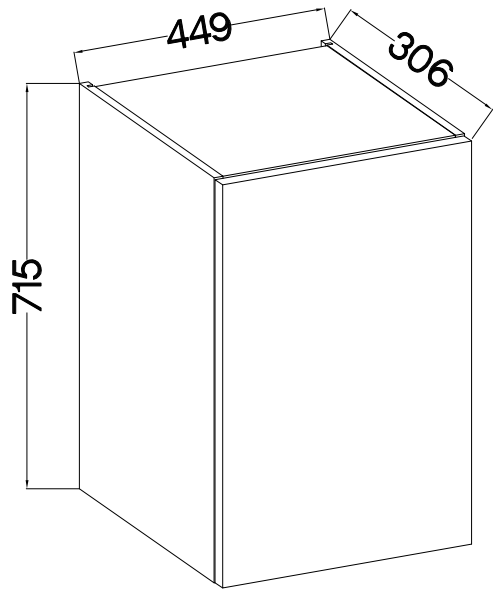
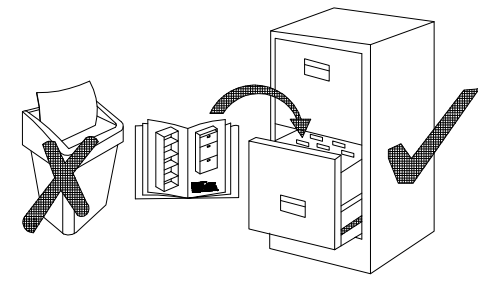


Ø10mm
45 G-72 1F

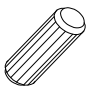
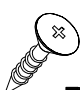
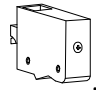


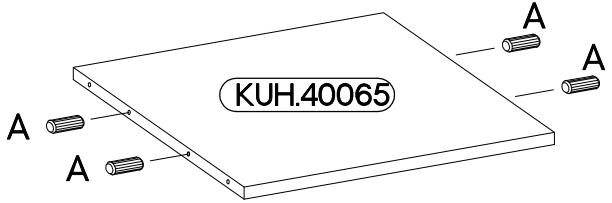
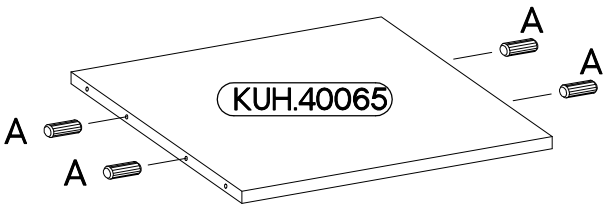
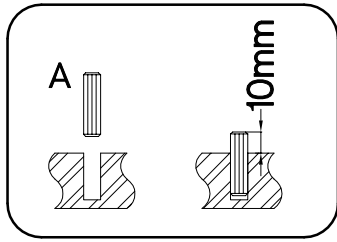
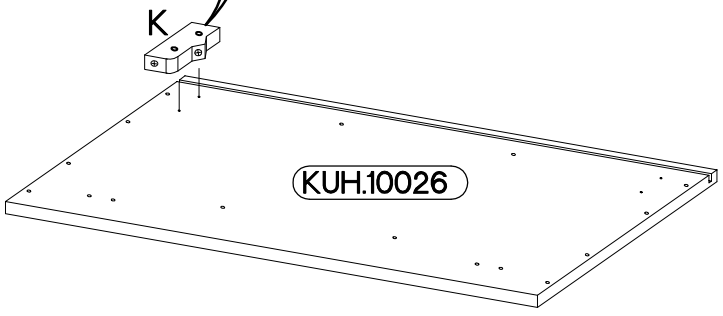
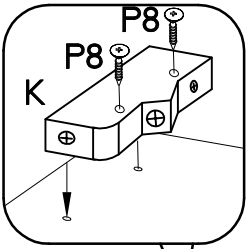
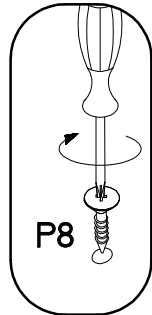
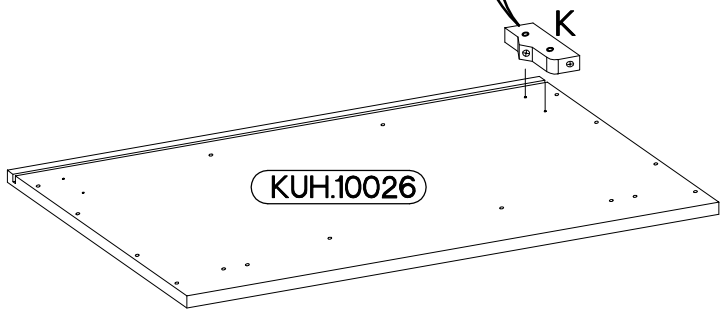
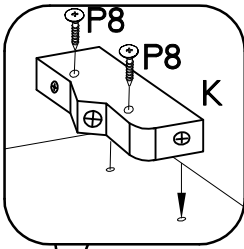
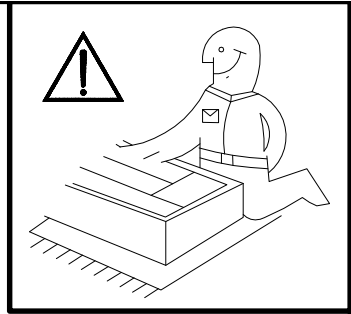
Ersatzteil Nummer	Dimension
KUH.10026 x2	715x290x16
KUH.30039 x2	416x250x16
KUH.40065 x2	417x276x16
KUH.60246	713x435x2,5

+8x30mm A	6,4 x 50mm B	E1	+35/0mm HG		
8	8	8	2		
+5/19mm J	K	O	+3.5x13mm P5	+3.0x20mm P7	+4.0x30mm P8
8	2	1	4	8-10	4


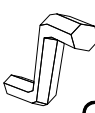



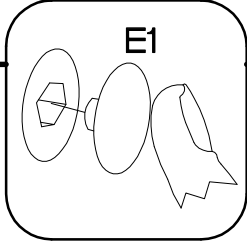
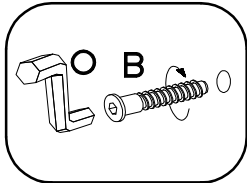
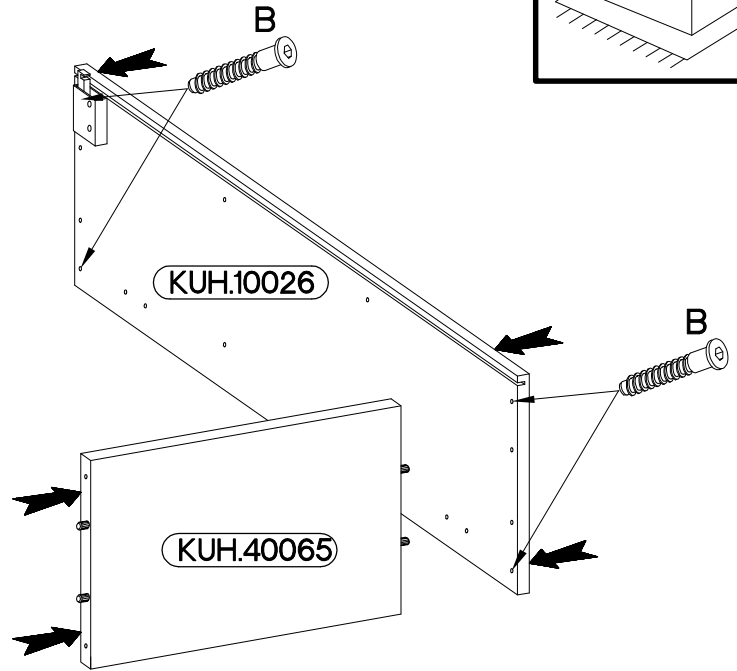
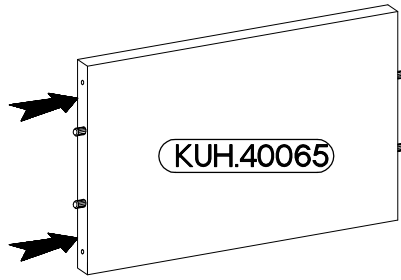
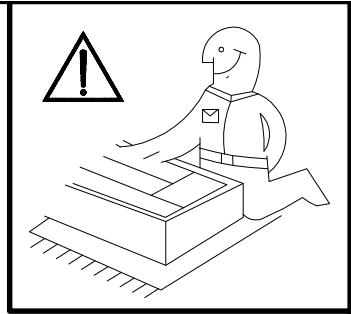
ISM-KUH-01136

$\pm 8 \times 30 \text{mm}$  A 8	$\pm 4.0 \times 30 \text{mm}$  P8 4	 K 2
---	--	--

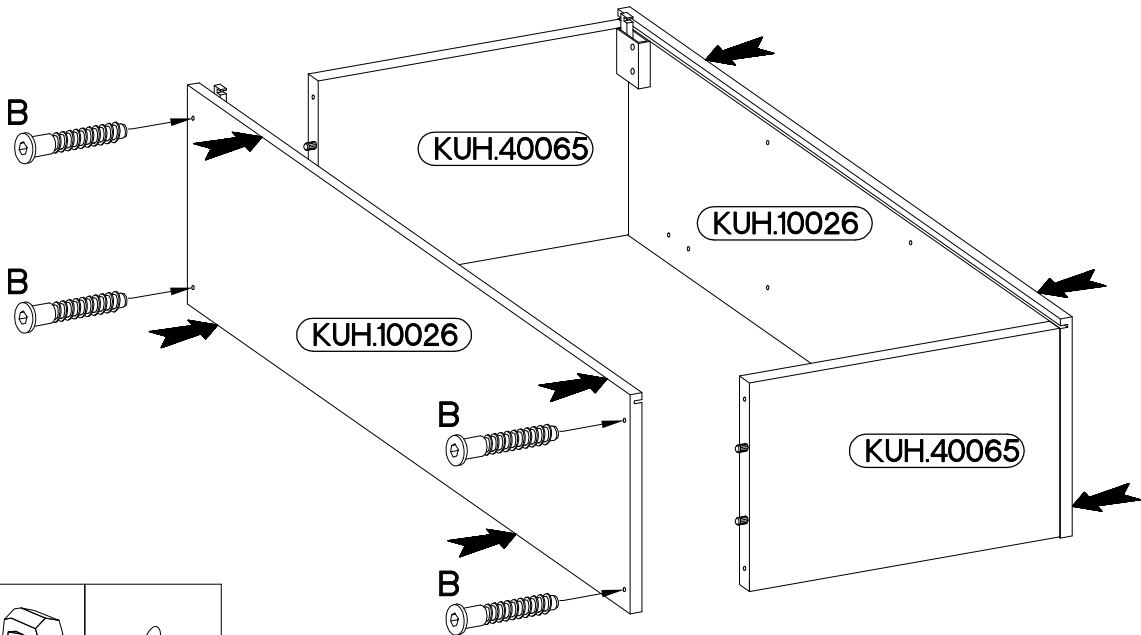


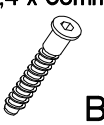


2

6,4 x 50mm		
		
B	O	E1
4	1	4

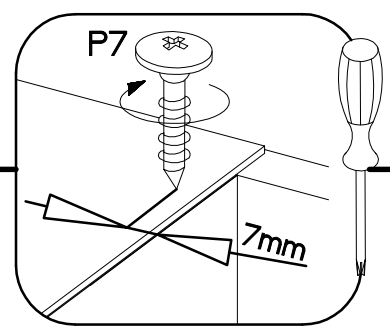
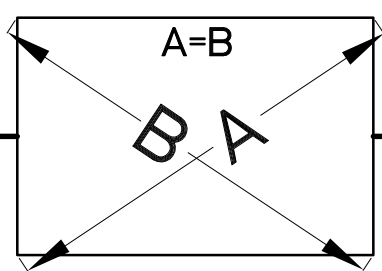
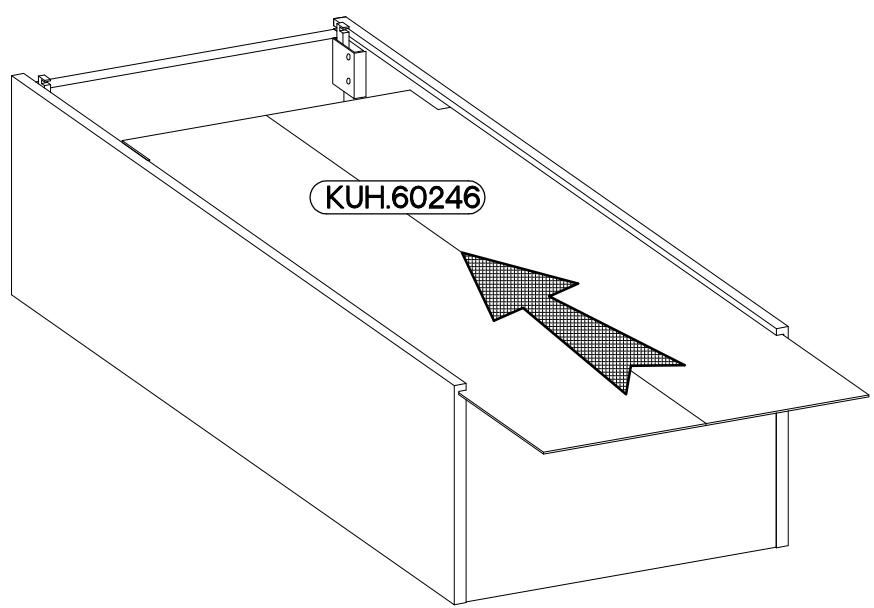
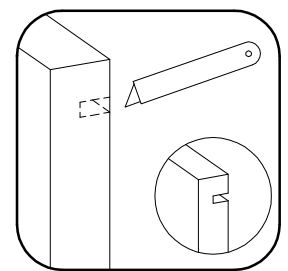
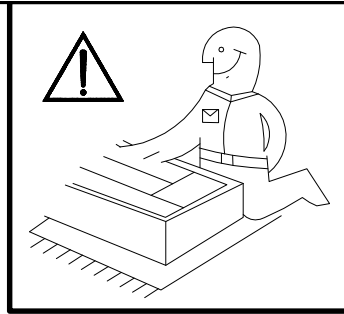


3

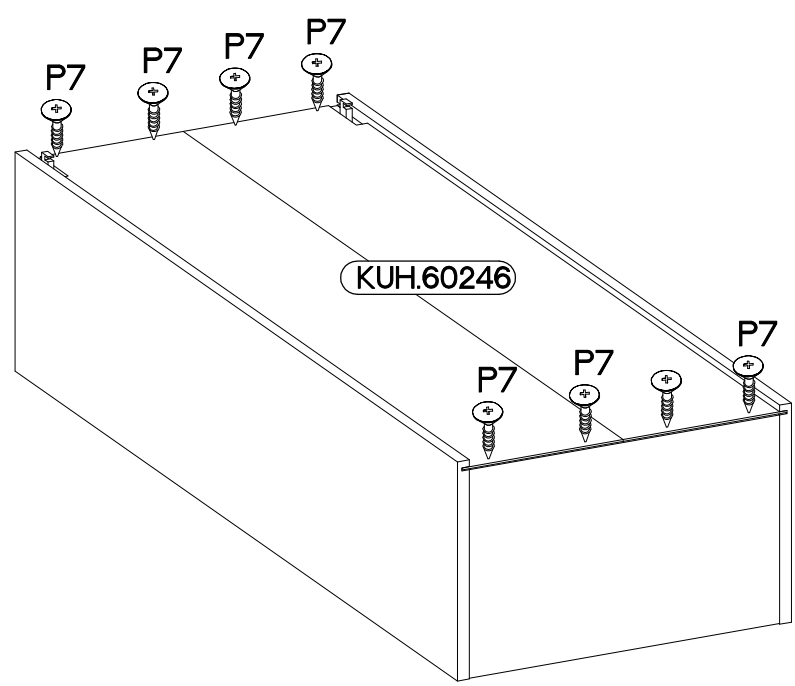
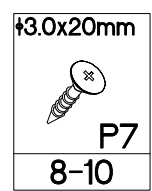


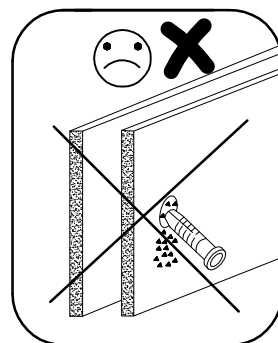
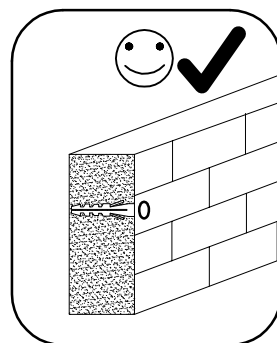
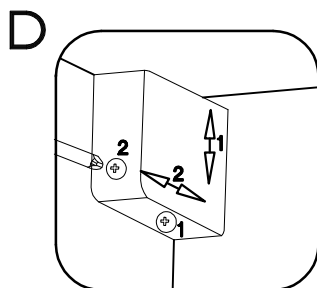
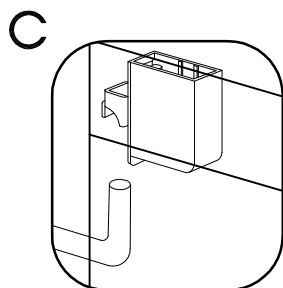
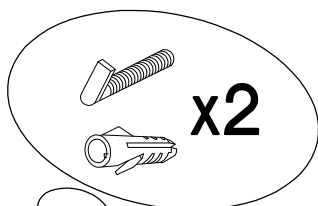
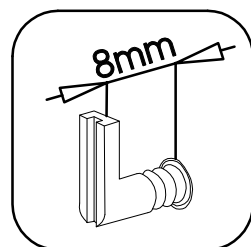
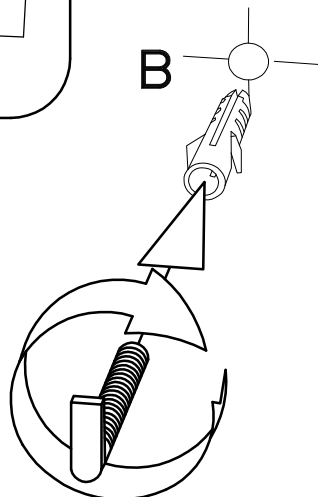
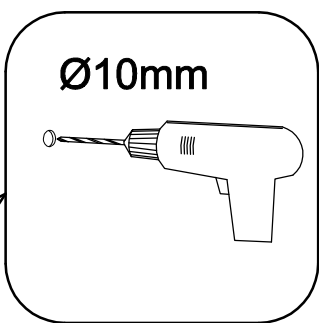
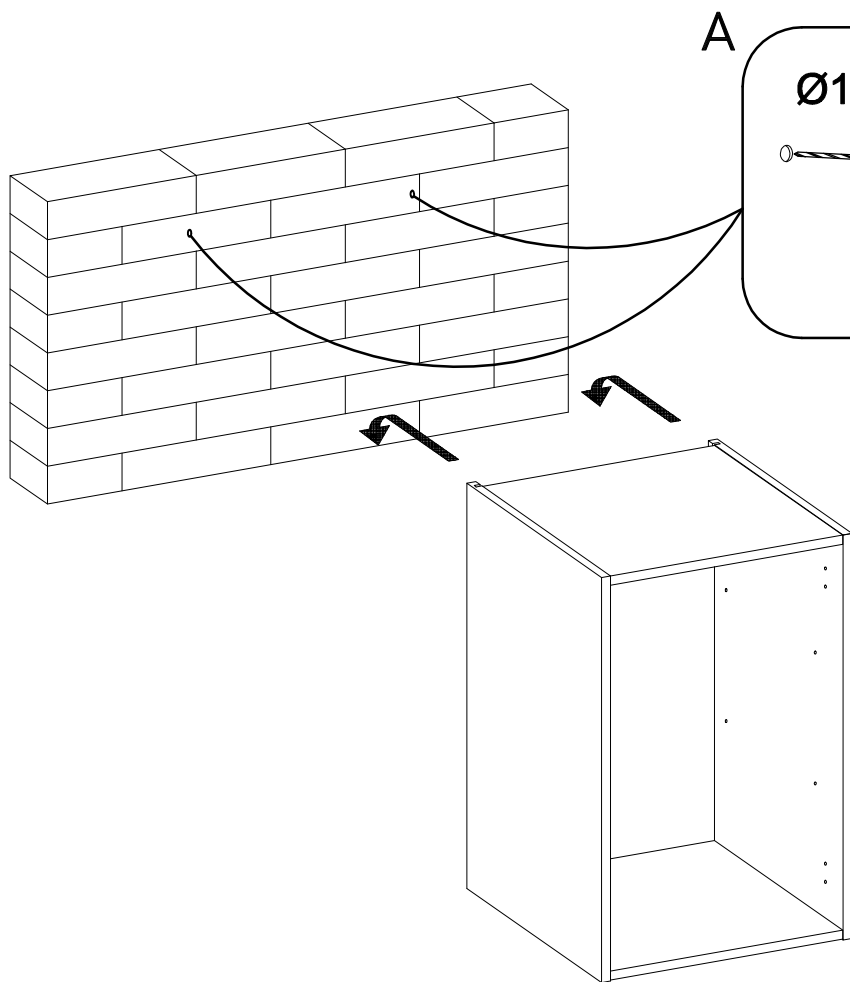
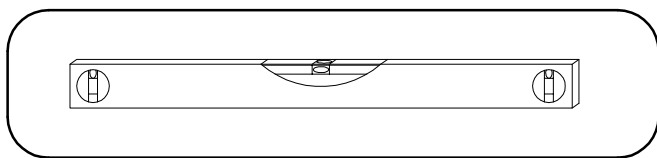
6,4 x 50mm		
		
B	O	E1
4	1	4

4

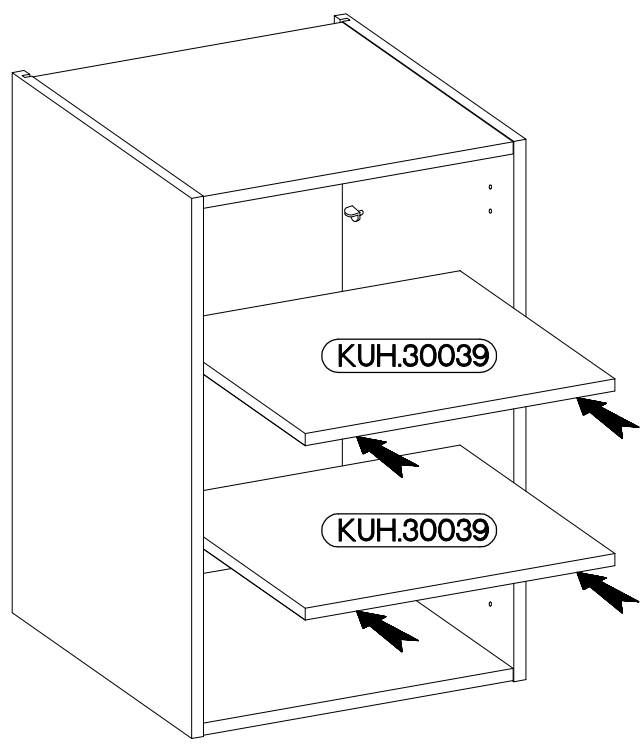
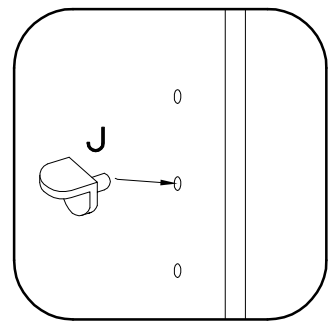
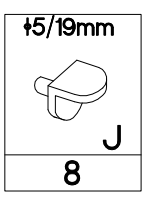


5





7



8

FRONT

