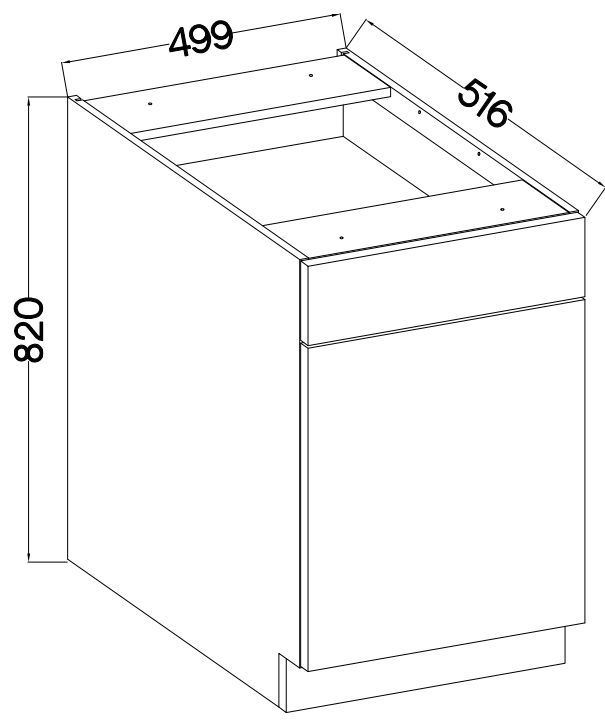
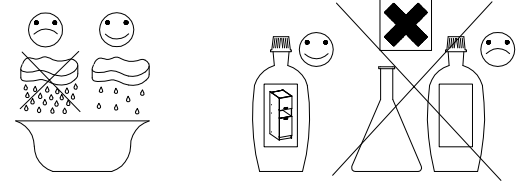


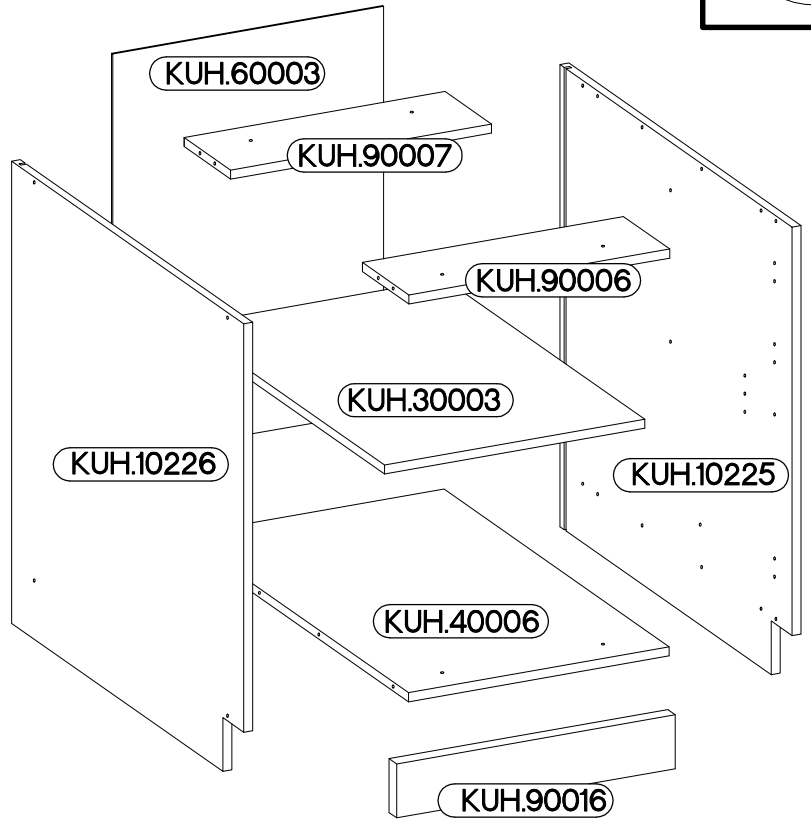
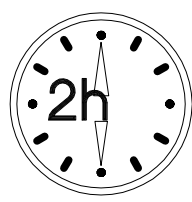
50 D 1F 1S BB



KUH.90199

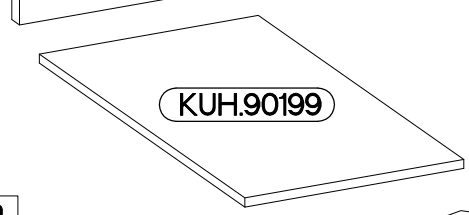


KUH.30003
KUH.40006

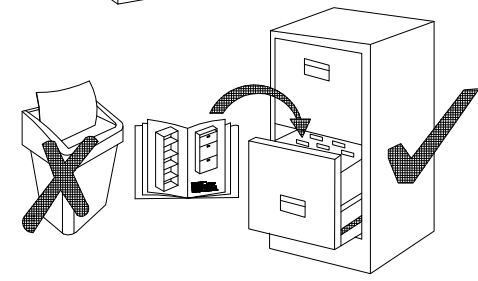


Ersatzteil Nummer	Dimension
KUH.10225	815x500x16
KUH.10226	815x500x16
KUH.30003	466x430x16
KUH.40006	467x485x16
KUH.60003	713x485x2,5
KUH.90006	467x100x16
KUH.90007	467x100x16
KUH.90016	499x95x16
KUH.90199	442x392x16
KUH.90200	380x70x16

KUH.90200

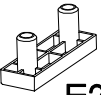
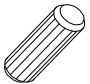


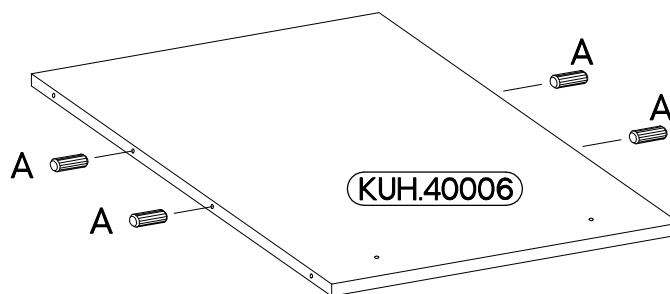
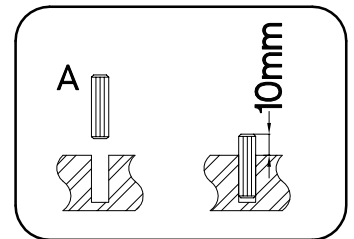
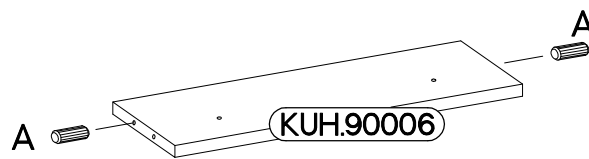
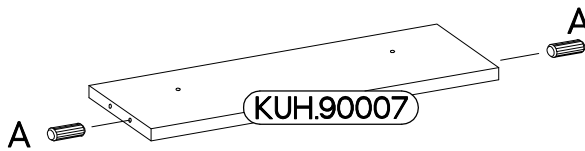
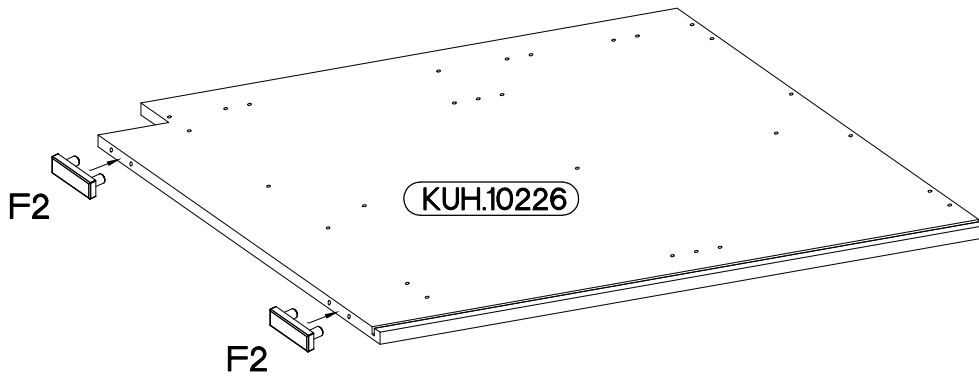
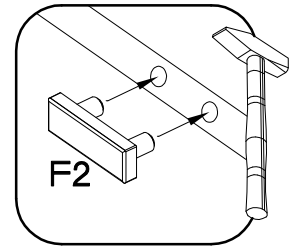
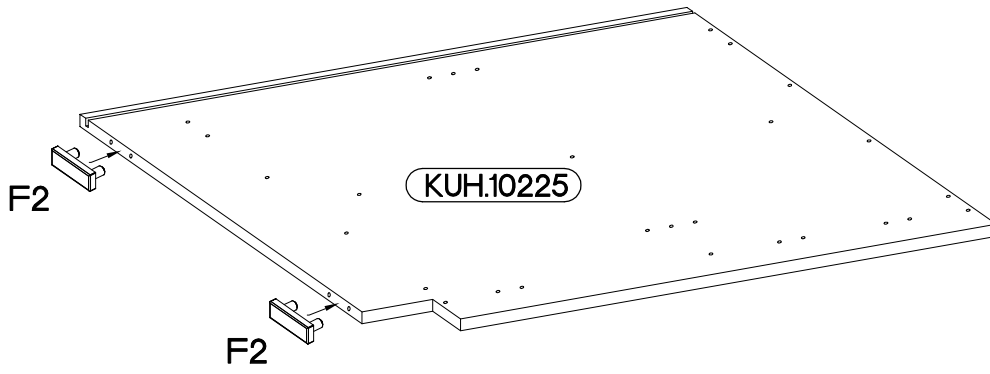
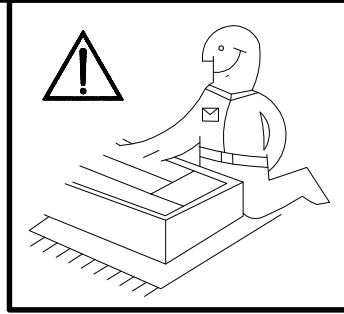
+8x30mm A	6,4 x 50mm B	 E1	 E9	6.5x48x16 F2	+35/0mm HG	
8	8	8	2	4	2	
+5/19mm J	+6.3x13mm M3	 O	+4.0x16mm P1	+4.0x45mm P4	+3.5x13mm P5	+3.0x20mm P7
4	4	1	8	2	12	8-10
+4.0x35mm R3	 11A	 11C	 11D	 11E	 11G	
4	1	1	1	2	2	



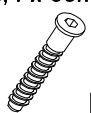
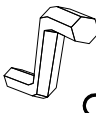

ISM-KUH-01124

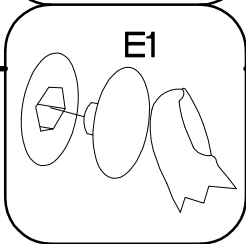
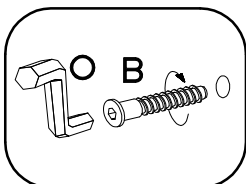
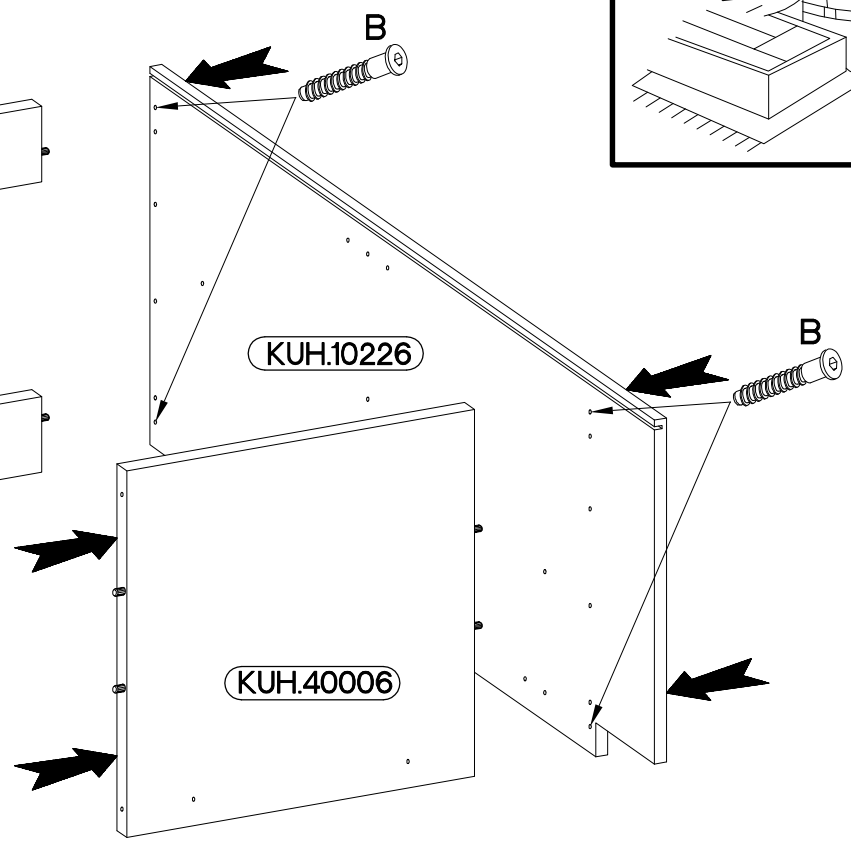
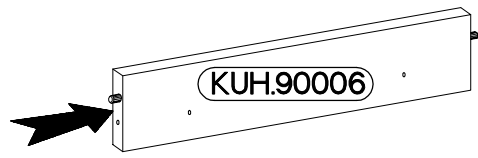
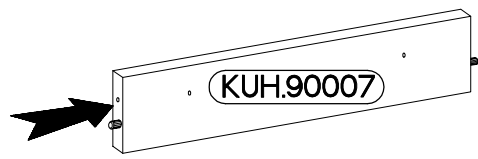
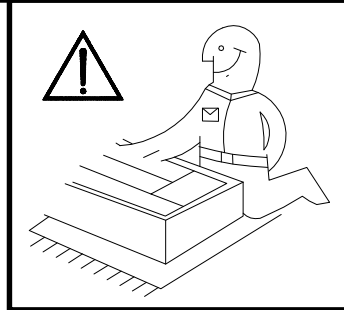
1

6.5x48x16  F2 4	+8x30mm  A 8
--	---

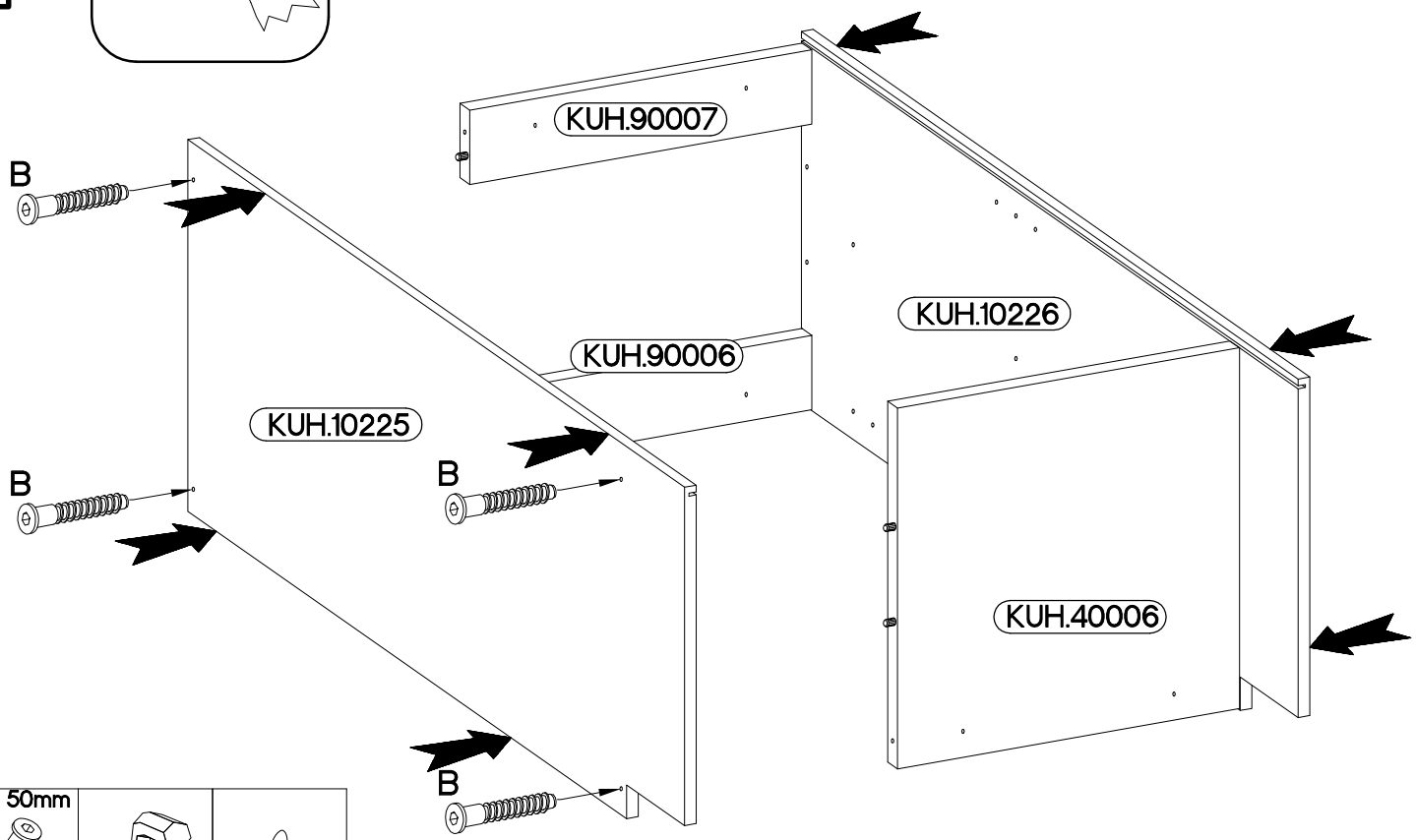


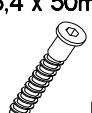
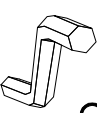

2

6,4 x 50mm		
		
B	O	E1
4	1	4

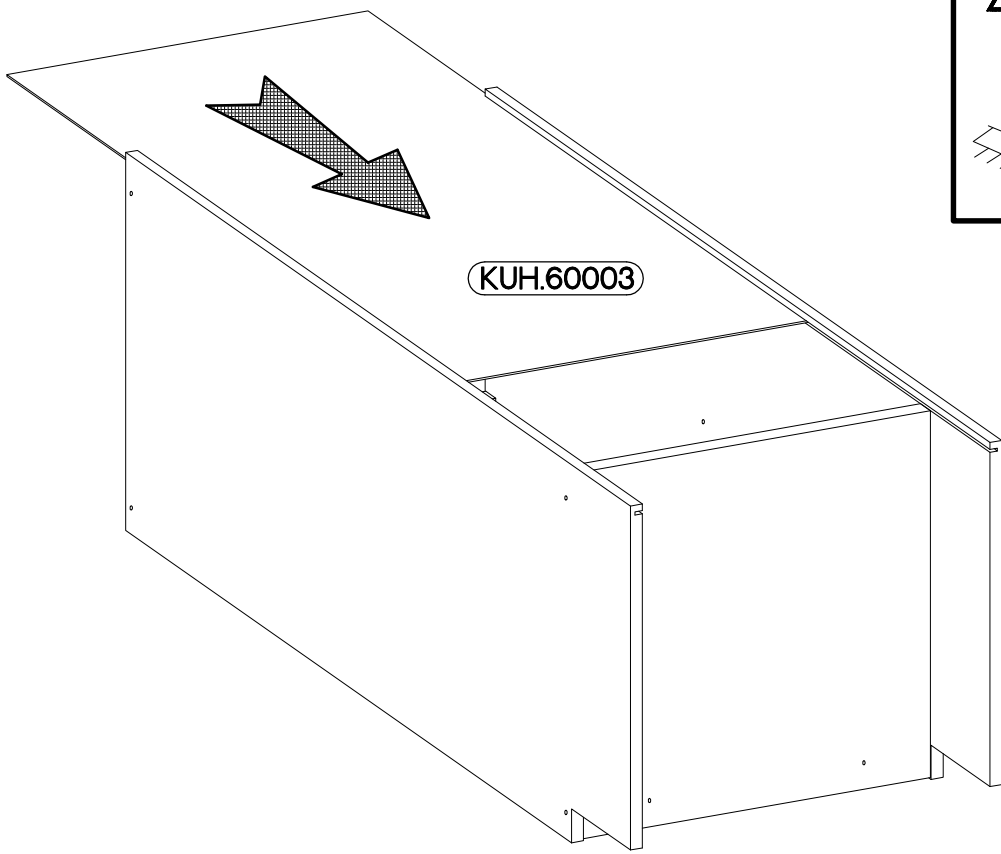
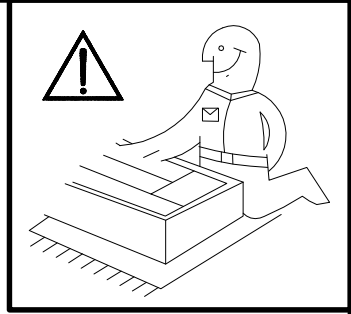


3

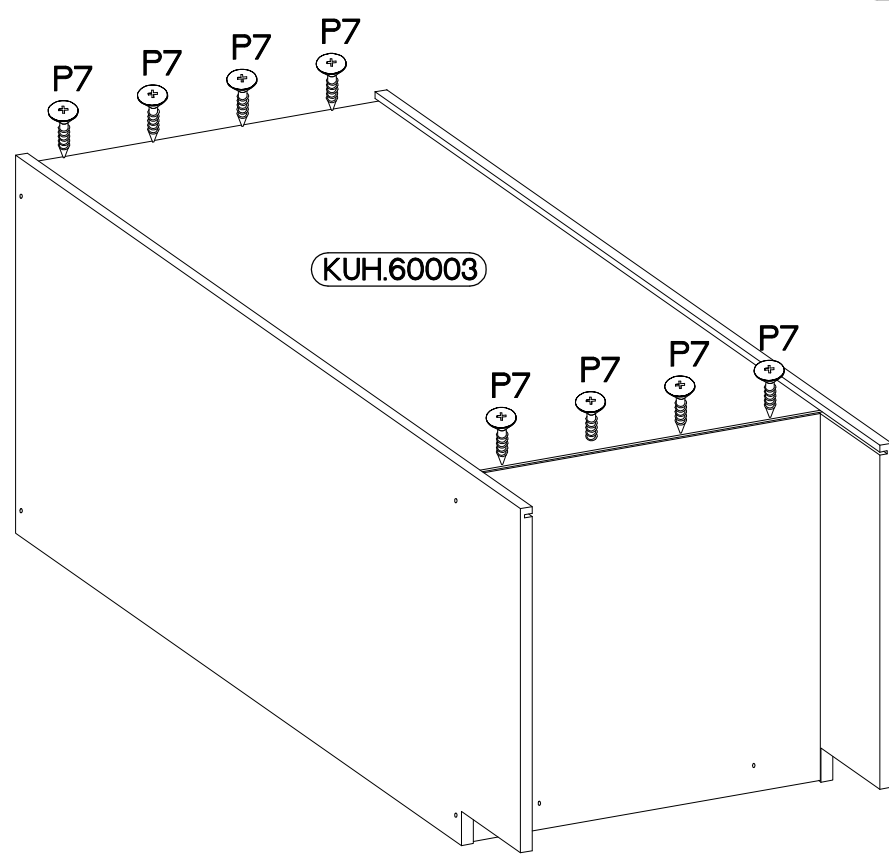
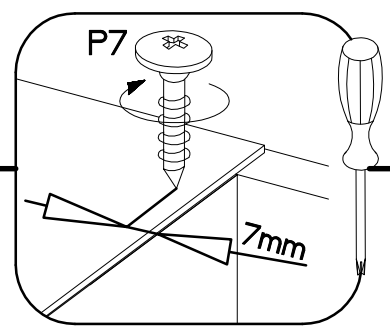
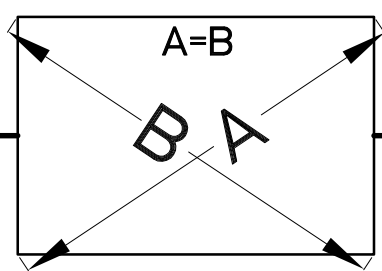
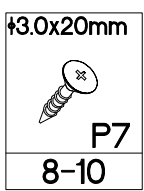


6,4 x 50mm		
		
B	O	E1
4	1	4

4



5



6

4.0x45mm



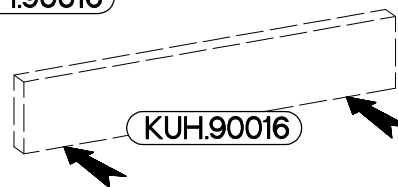
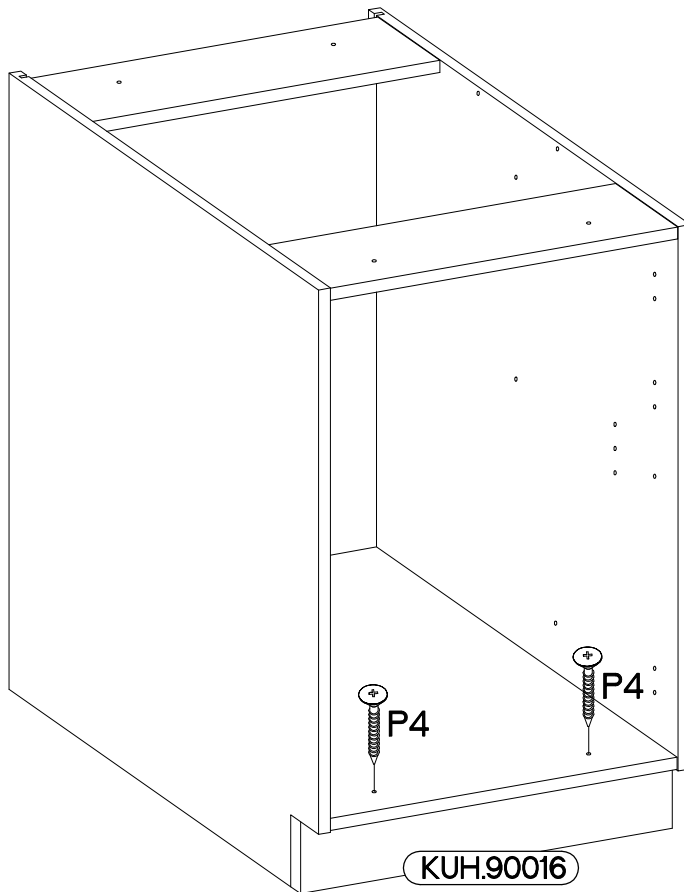
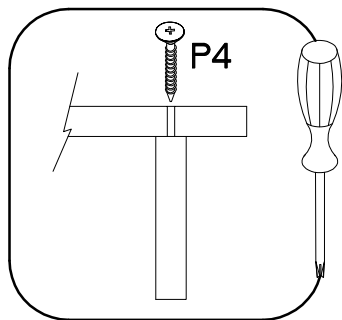
P4

2



E9

2



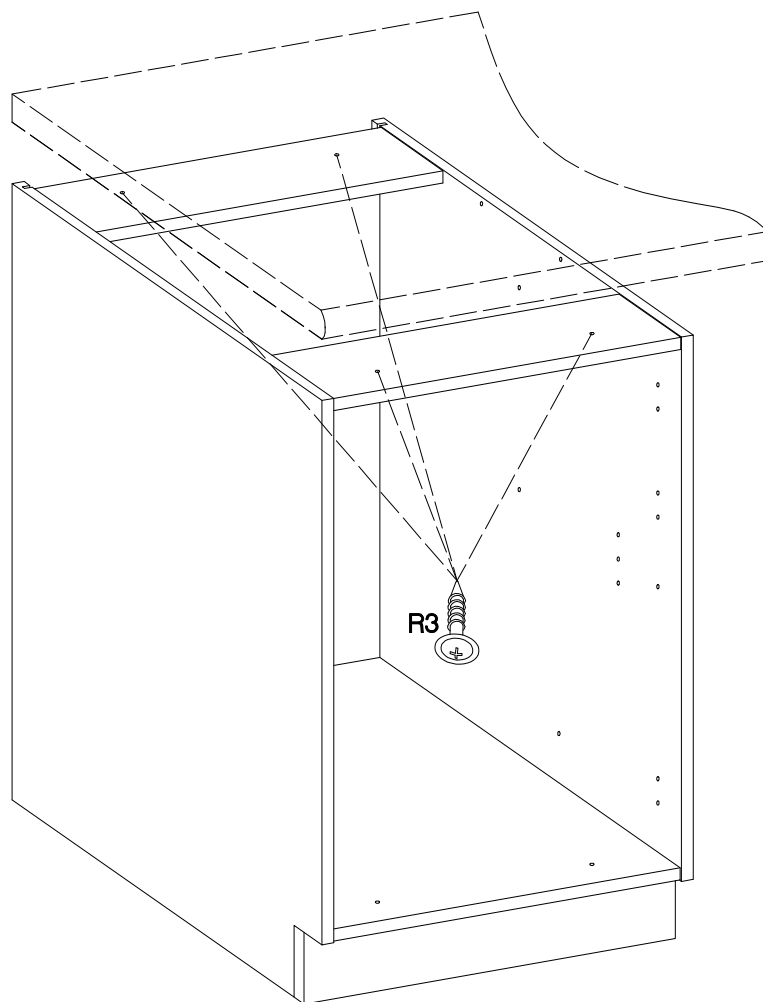
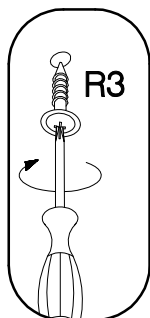
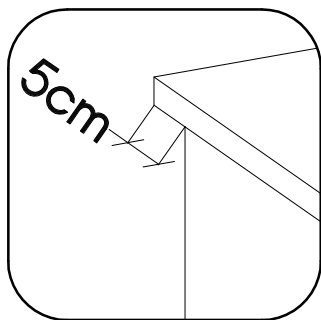
7

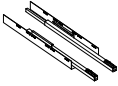


4.0x35mm

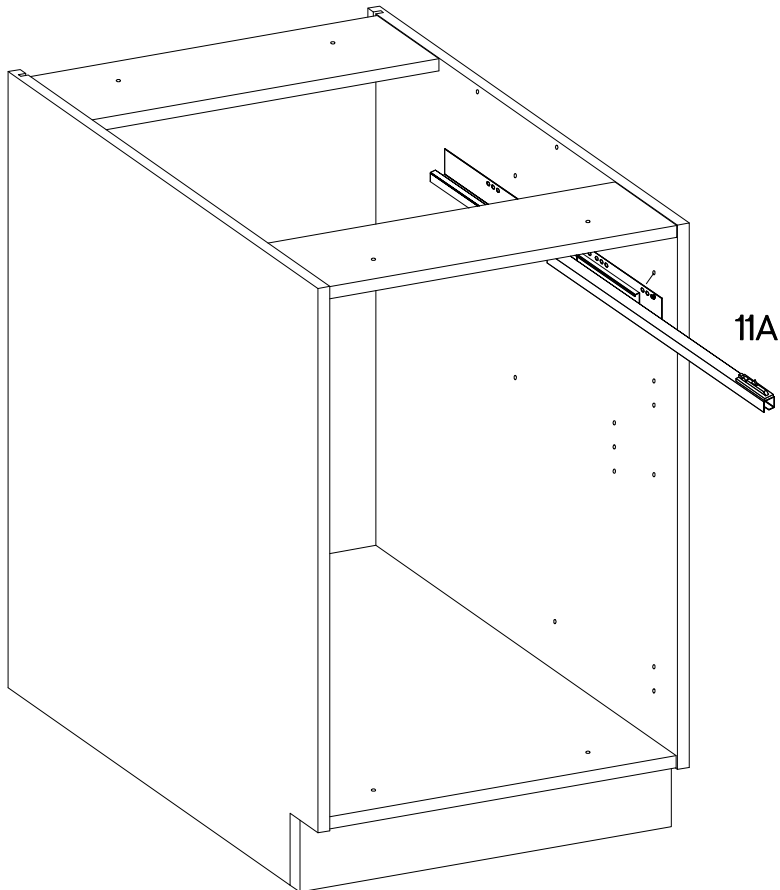
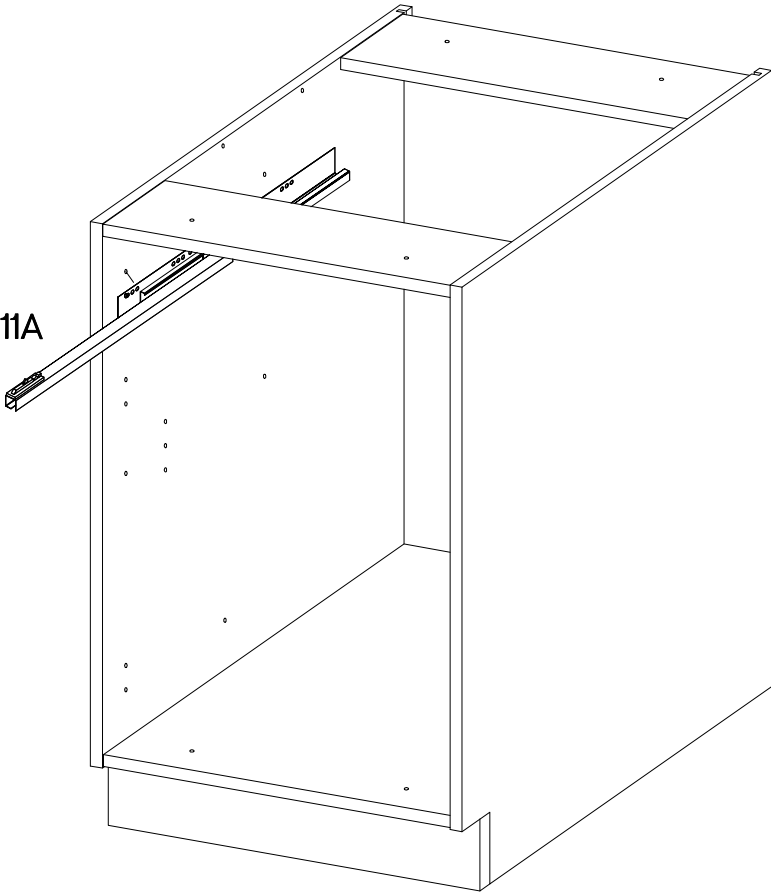
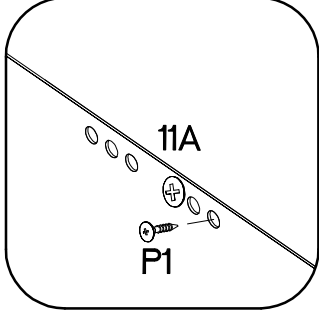
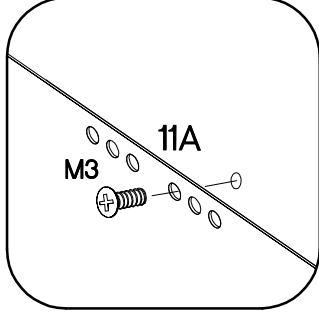
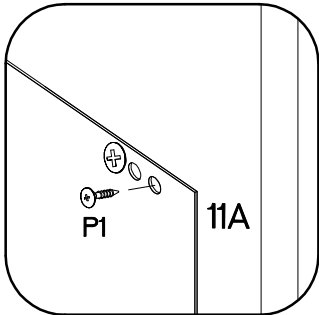
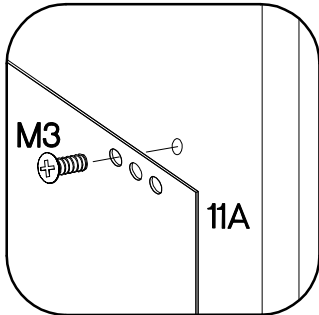
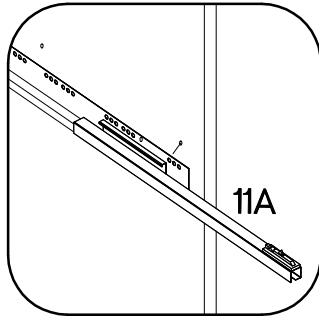


R3

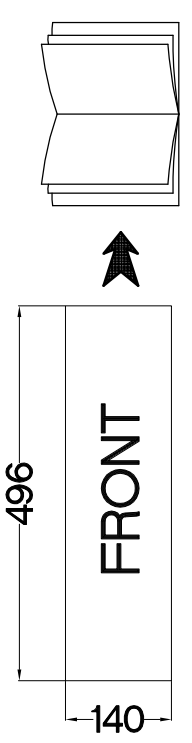
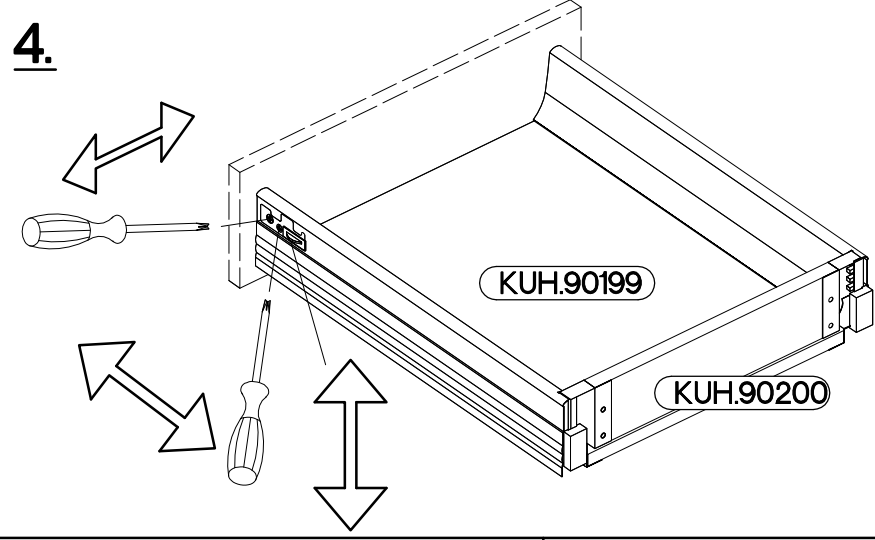
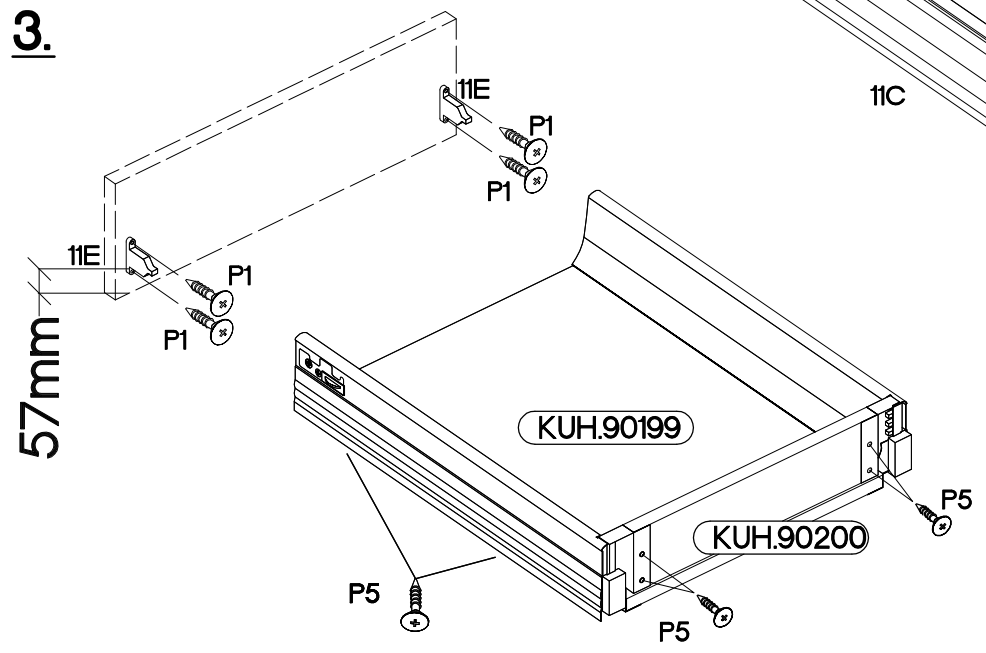
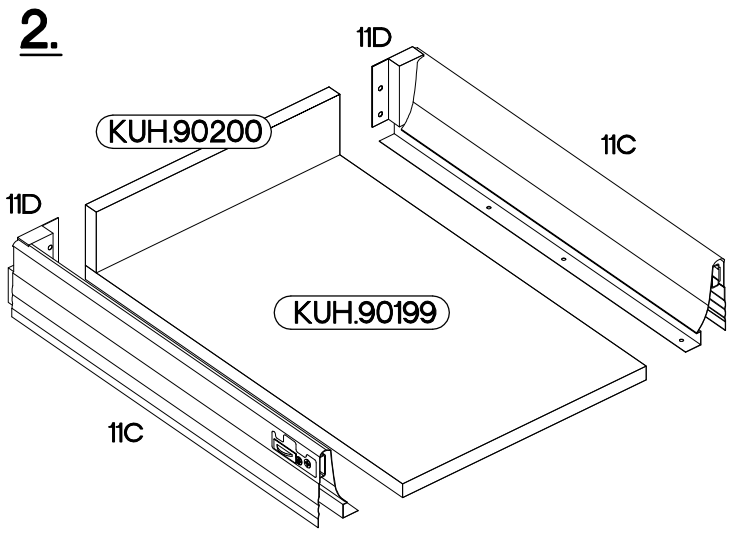
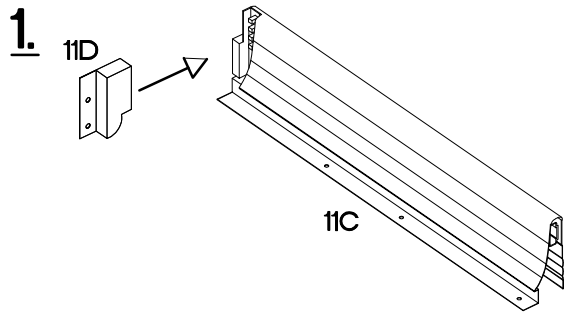
4



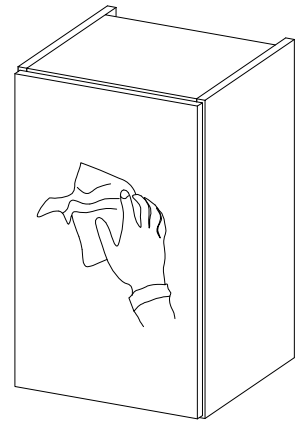
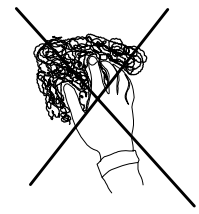
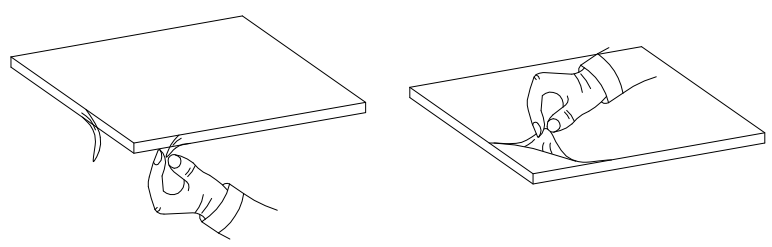
 11A	 M3	 P1
1	4	4



			$\varnothing 4.0 \times 16 \text{mm}$ 	$\varnothing 3.5 \times 13 \text{mm}$ 	
11D	11C	11E	P1	P5	11G
1	1	2	4	8	2

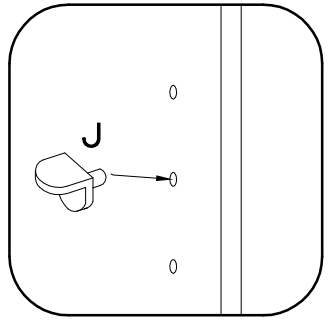
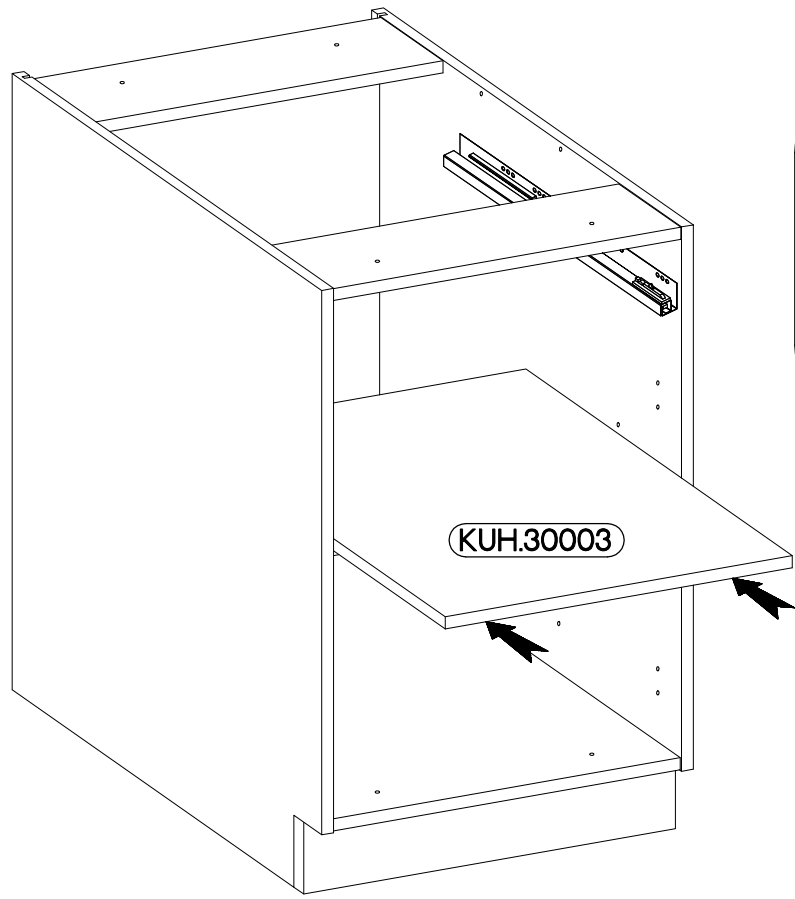


VARIANT HIGH GLOSS



10

±5/19mm
J
4



11

FRONT

