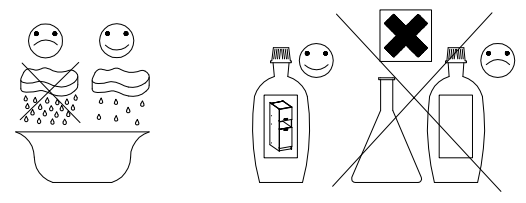
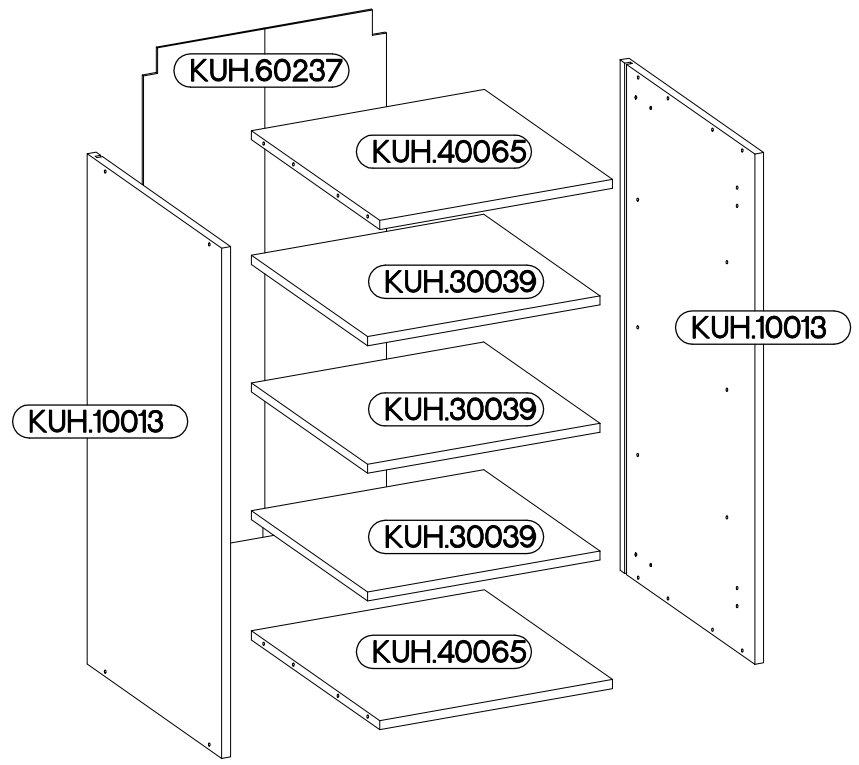
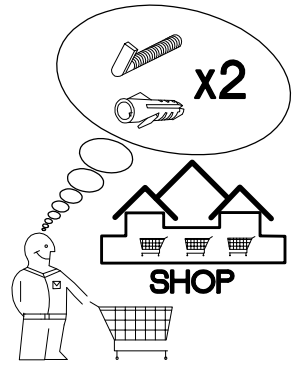
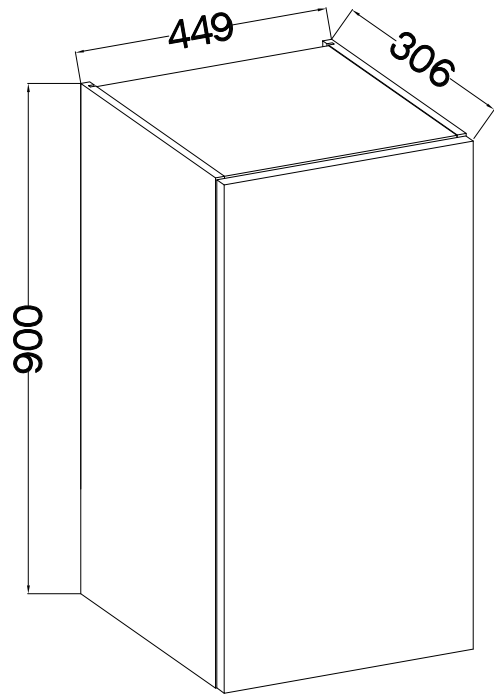
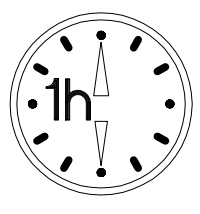


Ø10mm  
45 G-90 1F



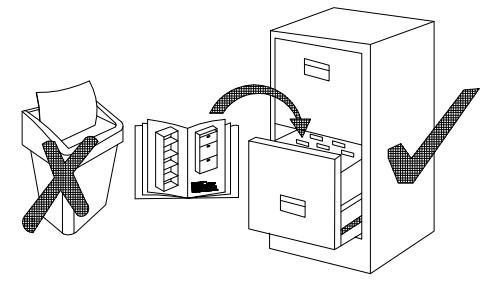
max.  
5kg

KUH.30039  
KUH.40065

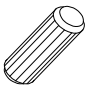
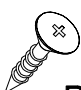
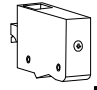


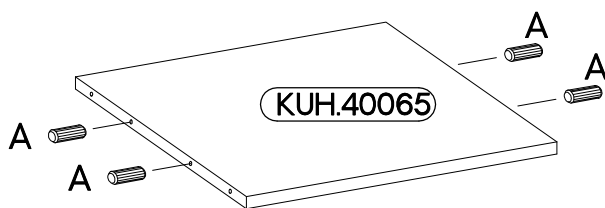
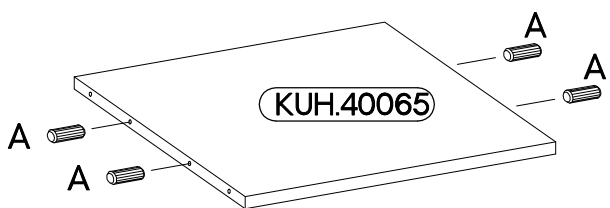
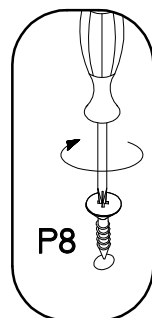
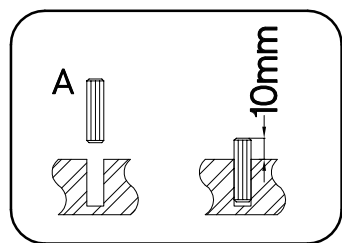
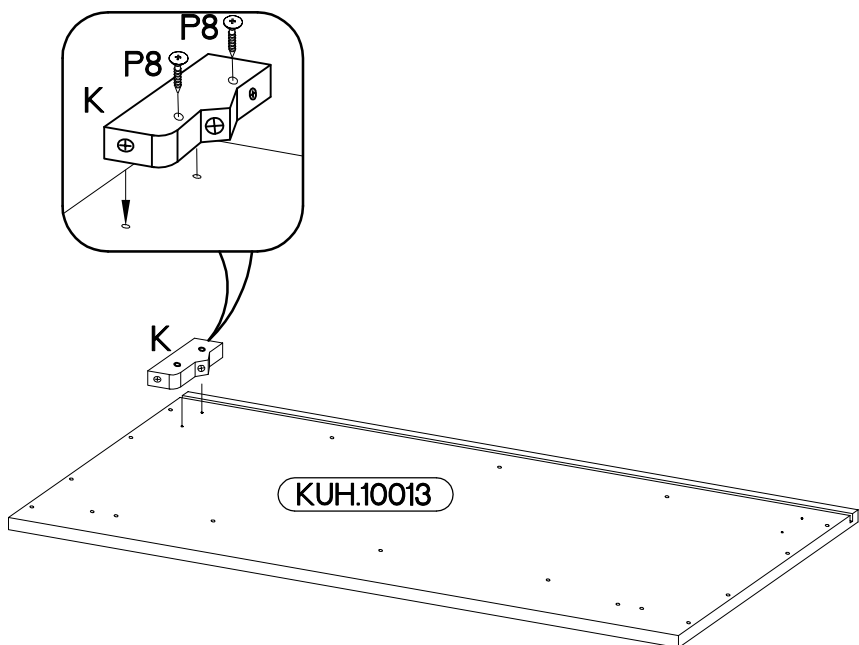
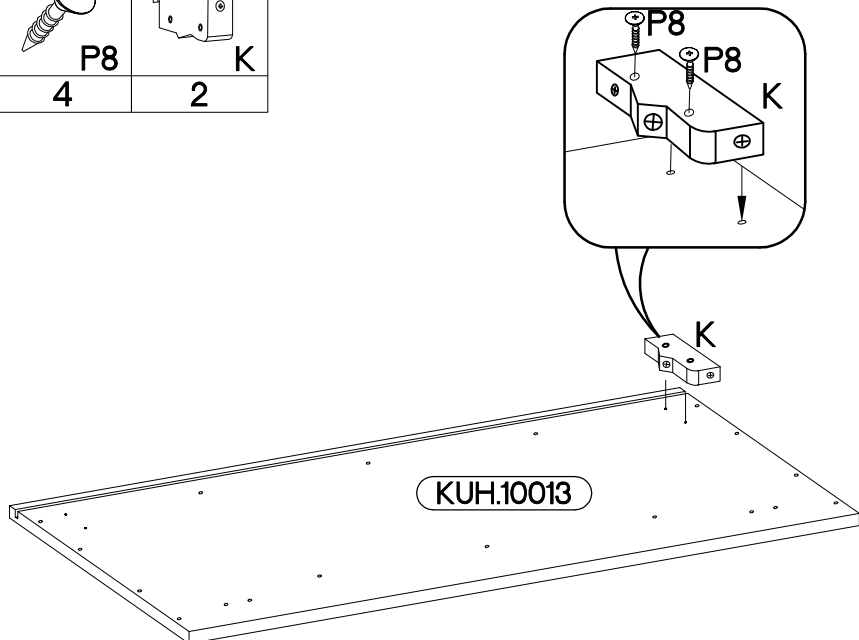
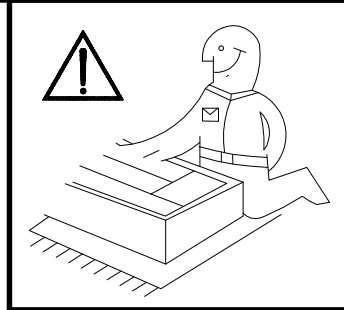
Ersatzteil Nummer	Dimension
KUH.10013 x2	900x290x16
KUH.30039 x3	416x250x16
KUH.40065 x2	417x276x16
KUH.60237	896x435x2,5

<b>A</b> 8	<b>B</b> 8	<b>E1</b> 8	<b>HG</b> 2	<b>P5</b> 4	<b>P7</b> 8-10	<b>P8</b> 4
<b>J</b> 12	<b>K</b> 2	<b>O</b> 1	<b>P5</b> 4	<b>P7</b> 8-10	<b>P8</b> 4	



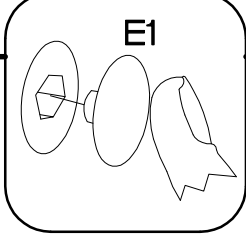
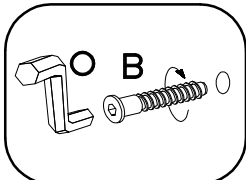
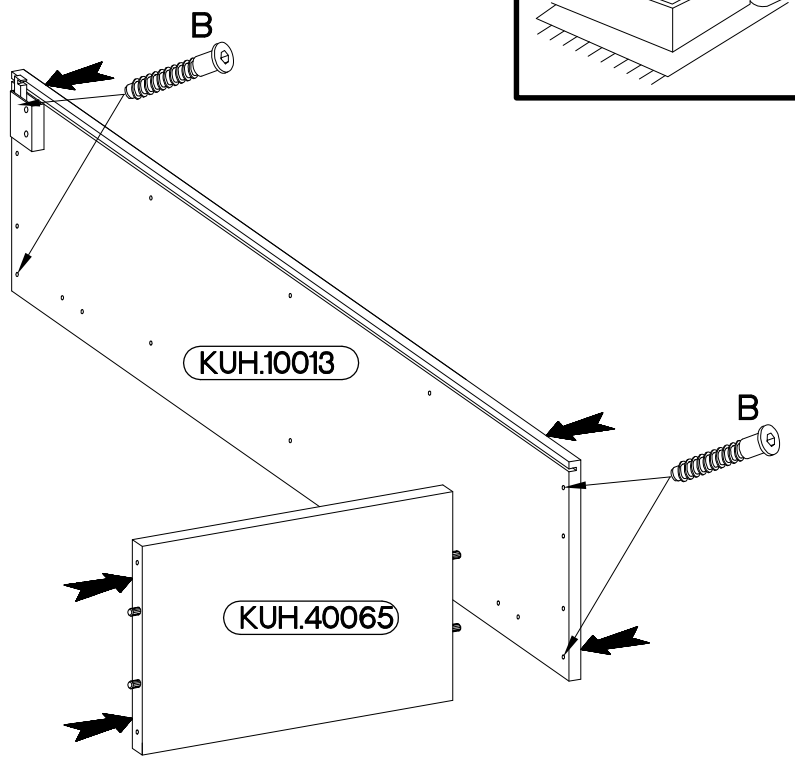
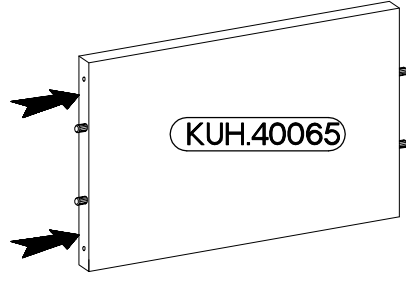
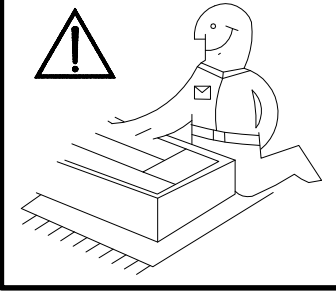
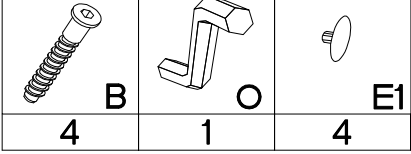
ISM-KUH-01123

$\pm 8 \times 30 \text{mm}$  A	$\pm 4.0 \times 30 \text{mm}$  P8	 K
8	4	2

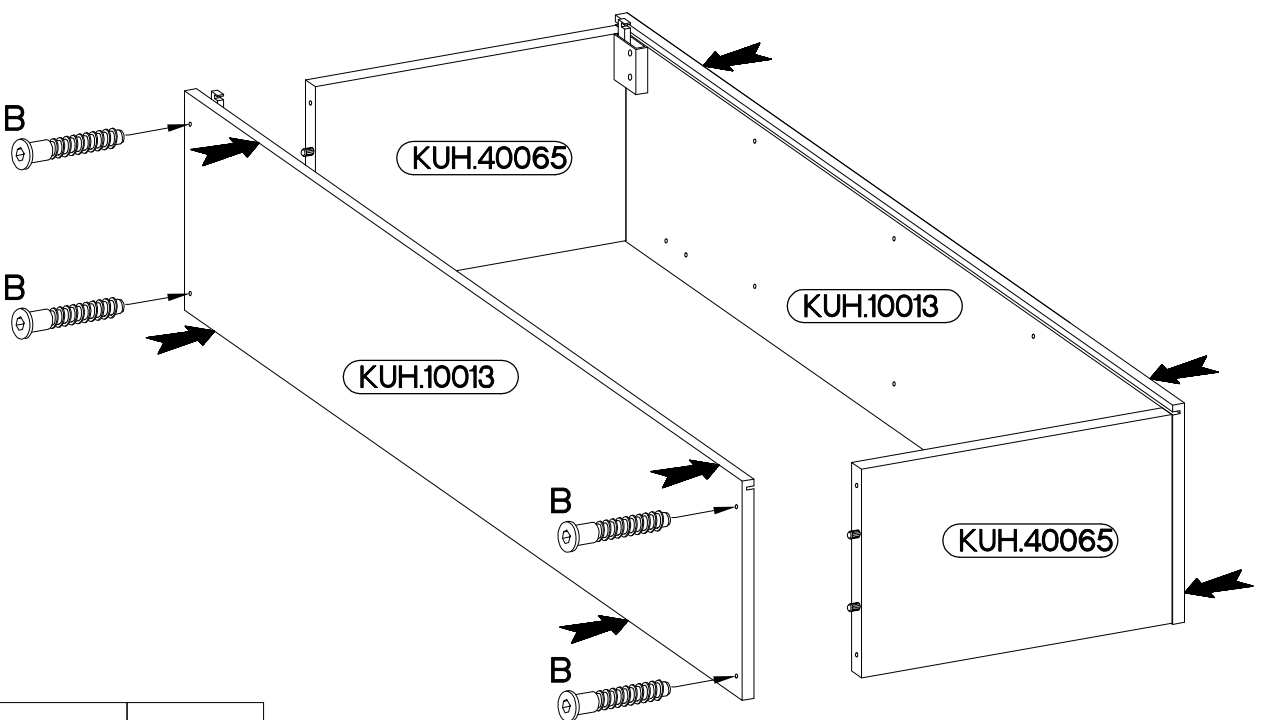


2

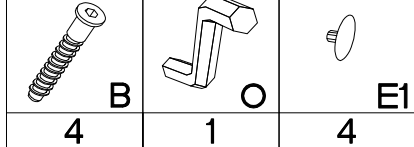
6,4 x 50mm



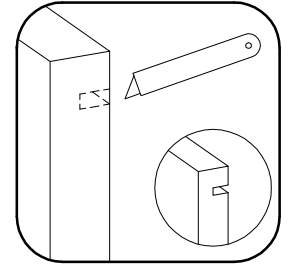
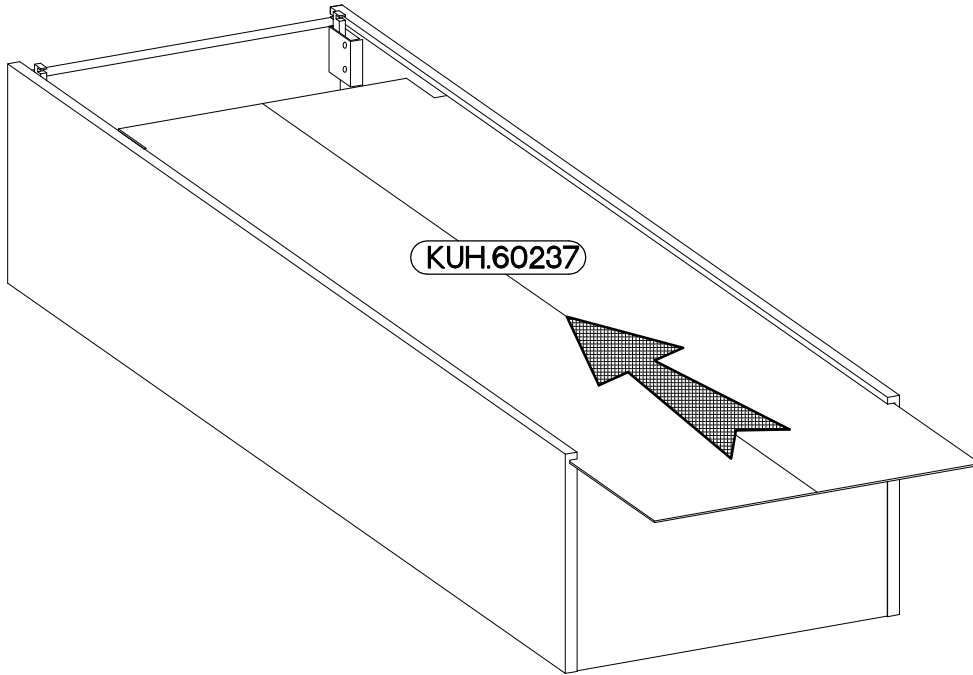
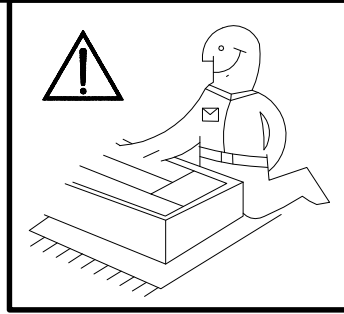
3



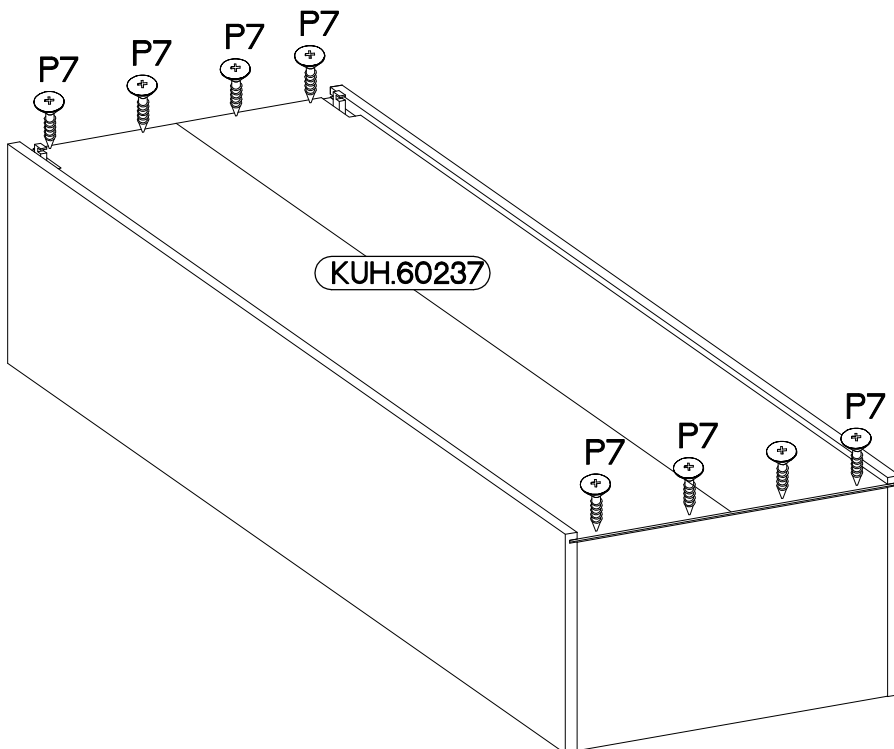
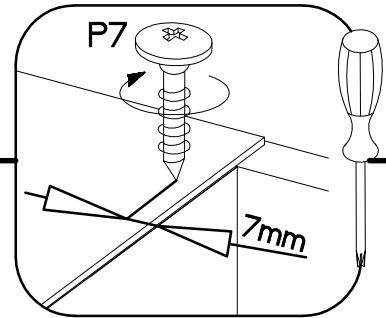
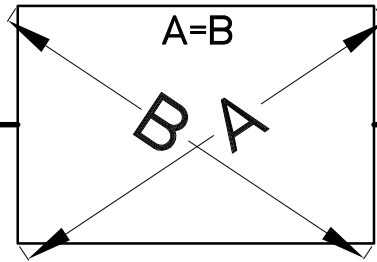
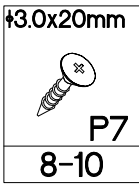
6,4 x 50mm

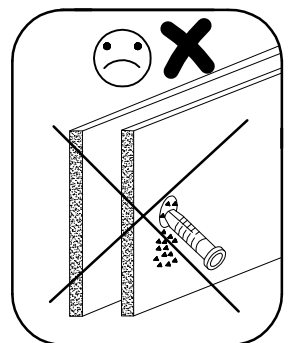
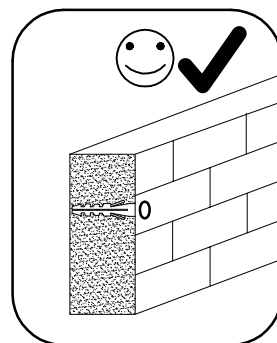
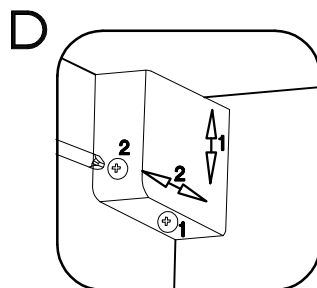
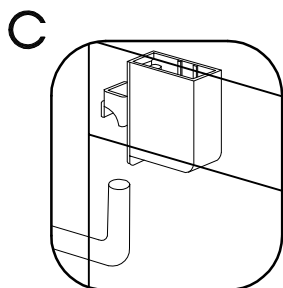
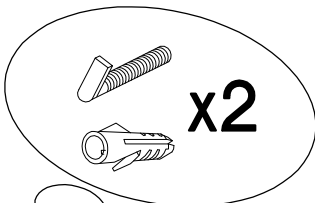
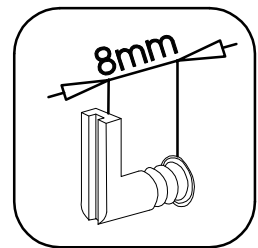
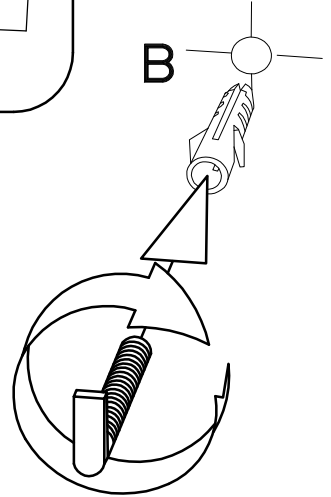
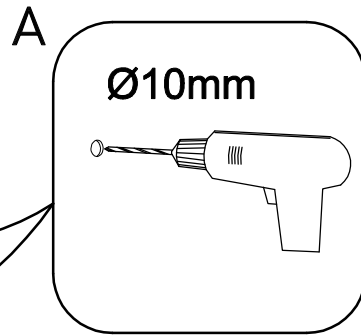
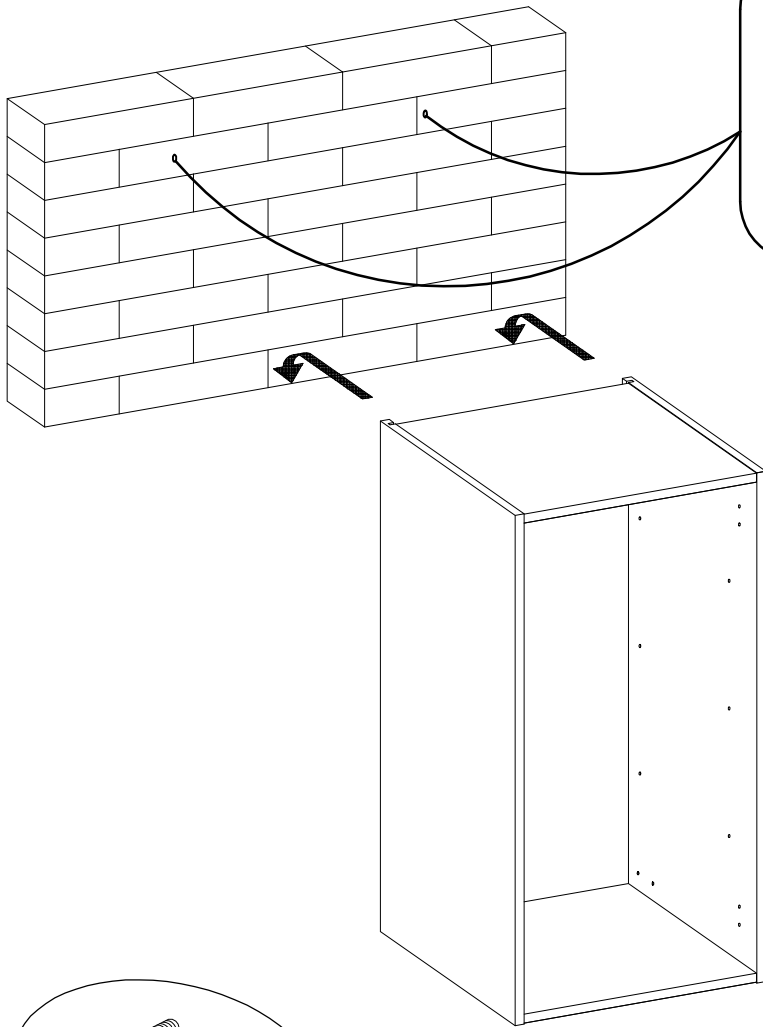
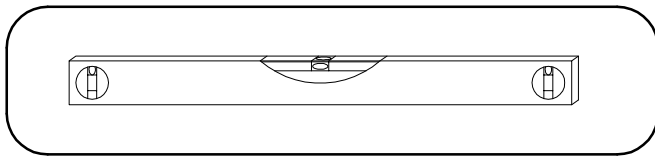


4



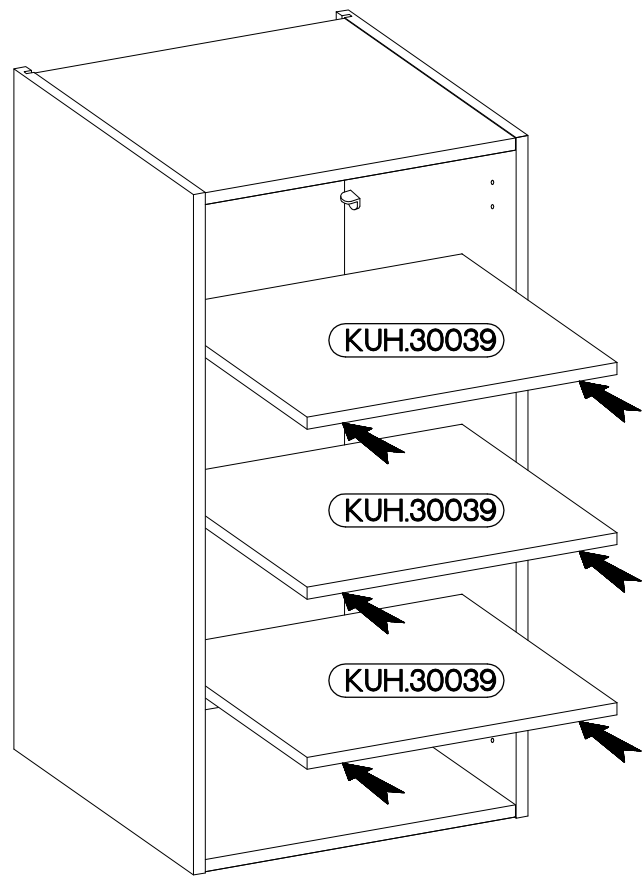
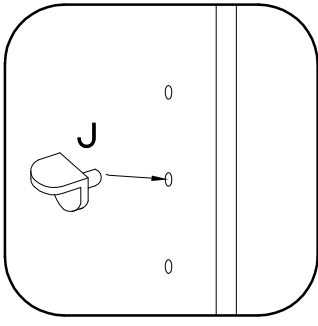
5





7

±5/19mm  
J  
12



8

FRONT

