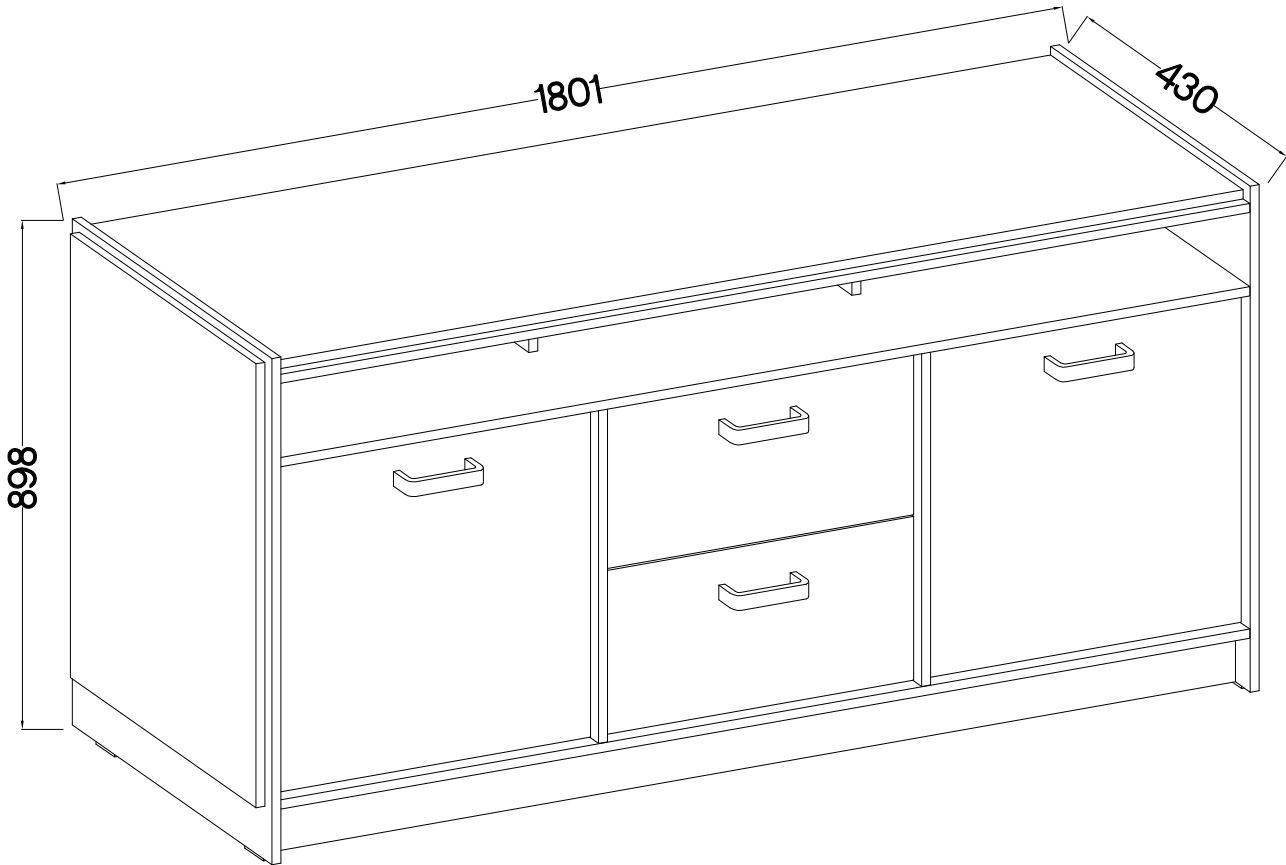
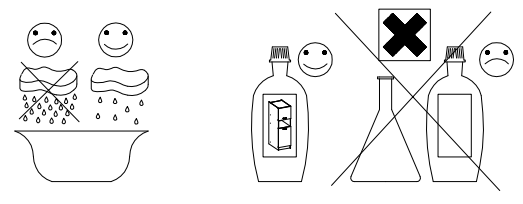
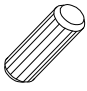
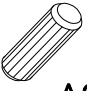
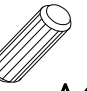
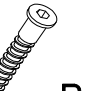




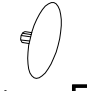
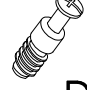

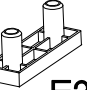


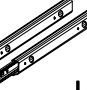
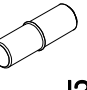
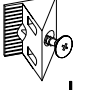
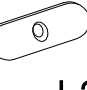









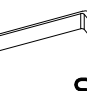



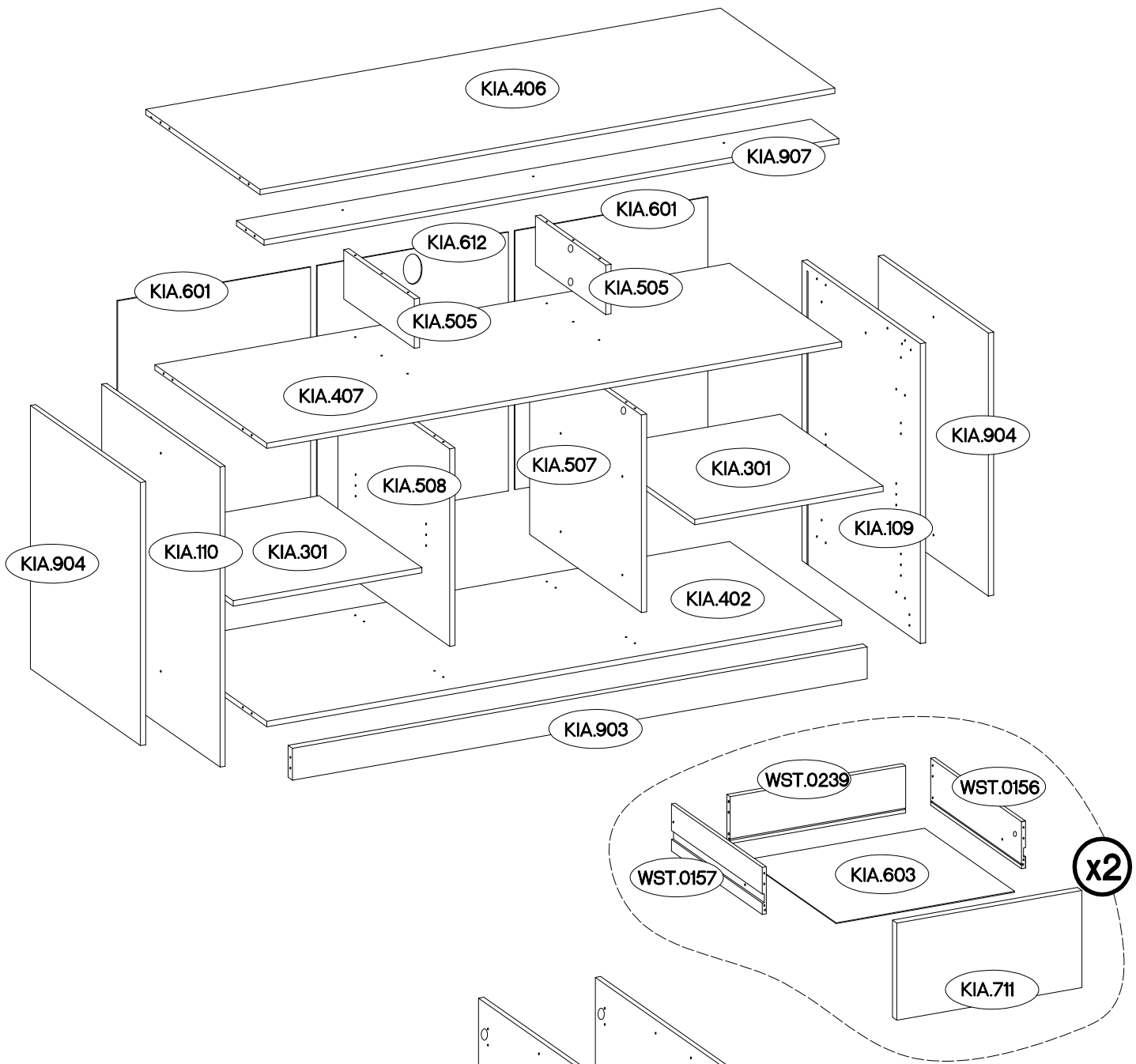


TYP 820

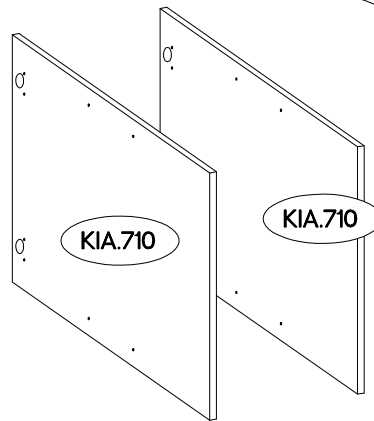


 A	 A2	 A4	 B	 B2	 C	 C5	 cza. E	 art. E		
46	2	4	4	4	22	4	14	4		
 D2	 E17	 F2	 F4	 HG2	 I4	 J3	 L	 L2	 L9	 M2
26	1	4	2	4	2	8	20	10	2	8
 O	 O7	 Lein O11	 P1	 P5	 P7	 P25	 S	 T3	 U	 U1
1	2	1	2	10	34	13	4	1	8	4

ISM-KIA-008

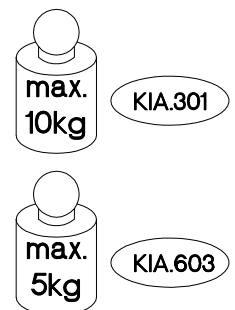


Colli	Ersatzteil Nummer	Dimension
1/3	KIA.301 x2	570x373x16
	KIA.601 x2	770x583x2,5
	KIA.603 x2	540x327x2,5
	KIA.612	770x578x2,5
	KIA.710 x2	567x582x16
	KIA.711 x2	559x289x16


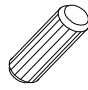



Colli	Ersatzteil Nummer	Dimension
2/3	KIA.109	893x430x16
	KIA.110	893x430x16
	KIA.505 x2	147x256x16
	KIA.507	588x406x16
	KIA.508	588x406x16
	KIA.904 x2	783x400x16
	WST.0156 x2	330x140x12
	WST.0157 x2	330x140x12
WST.0239 x2	530x140x12	

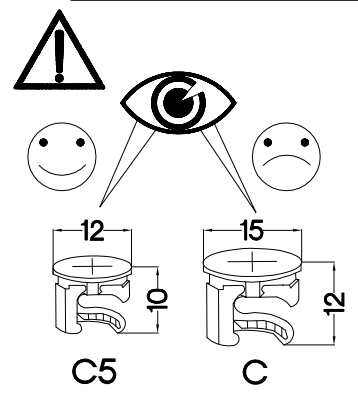
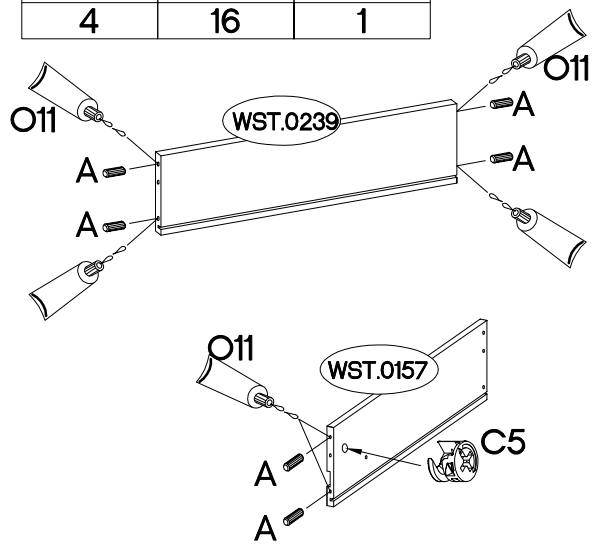
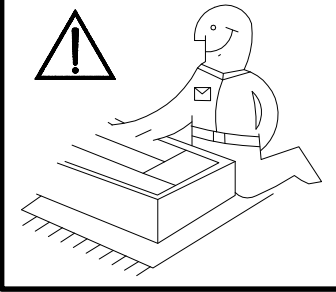
Colli	Ersatzteil Nummer	Dimension
3/3	KIA.402	1737x407x16
	KIA.406	1737x415x16
	KIA.407	1737x407x16
	KIA.903	1737x95x16
	KIA.907	1737x100x16



1



$\pm 12/10\text{mm}$  C5 4	$\pm 8 \times 30\text{mm}$  A 16	0,05  Lein O11 1
---	---	---

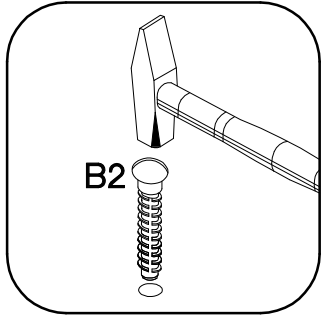
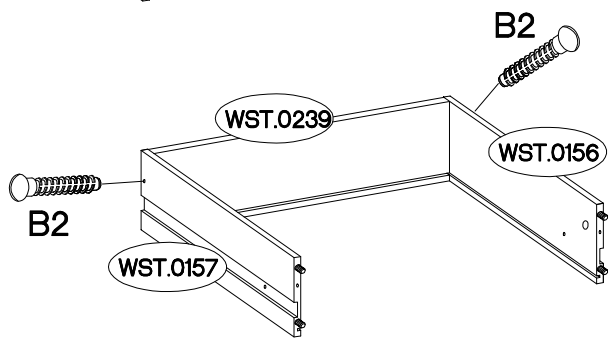
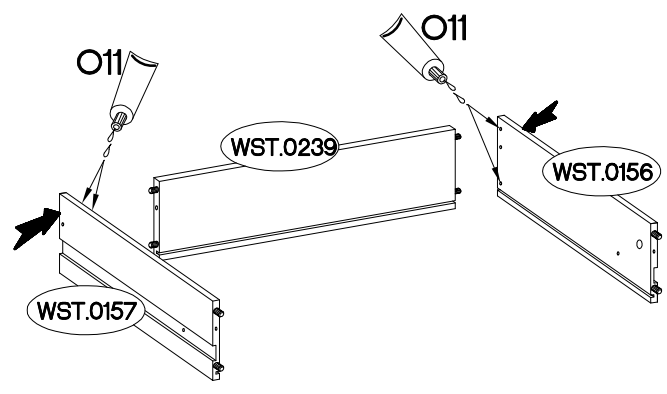
x2




2

x2

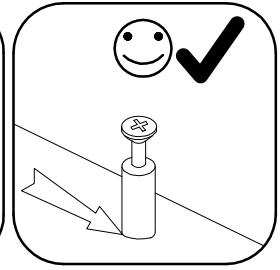
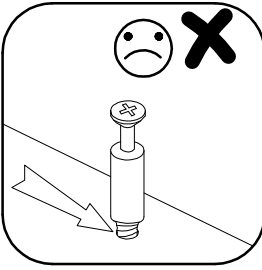
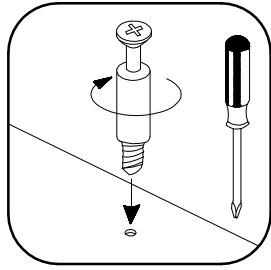
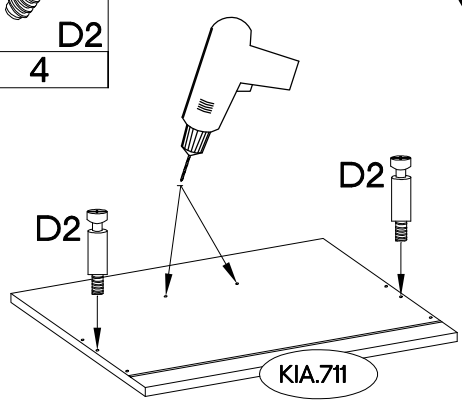
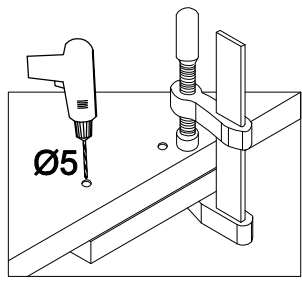
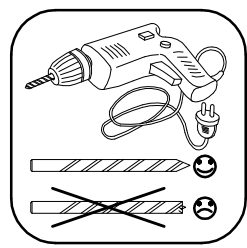
$\pm 6 \times 42\text{mm}$  B2 4	0,05  Lein O11 1
--	--



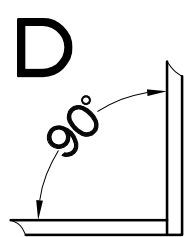
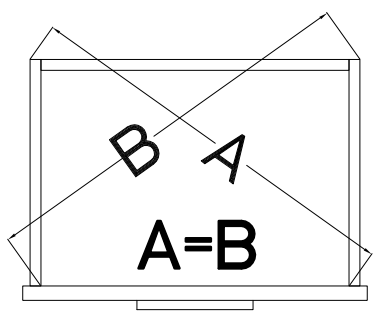
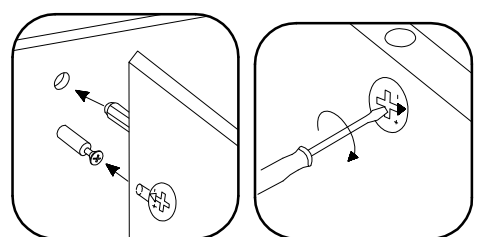
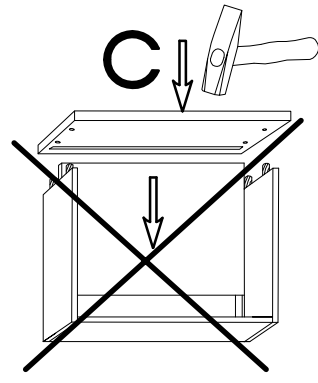
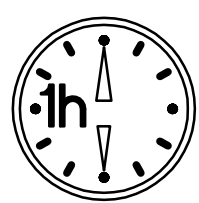
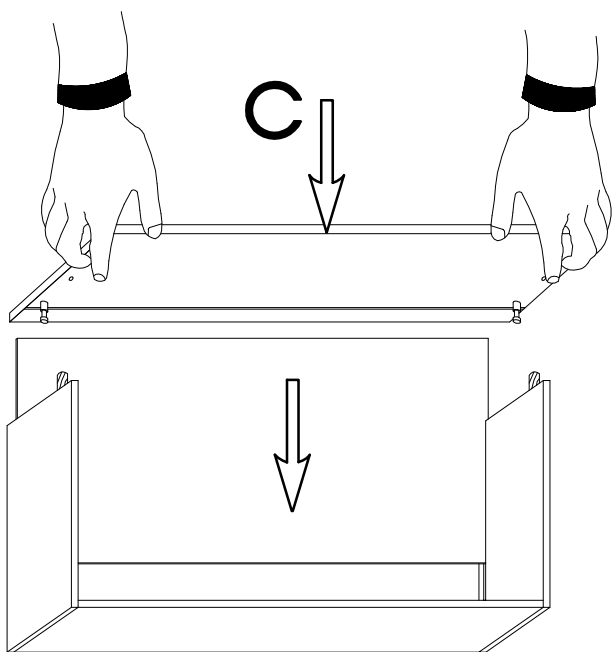
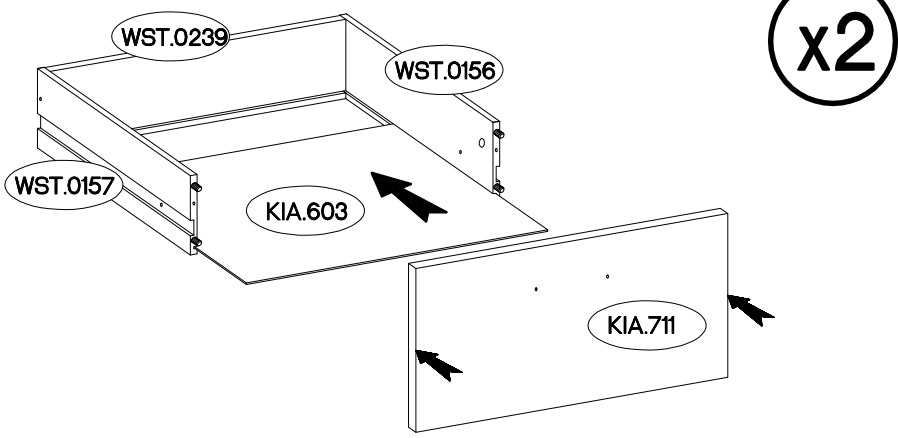
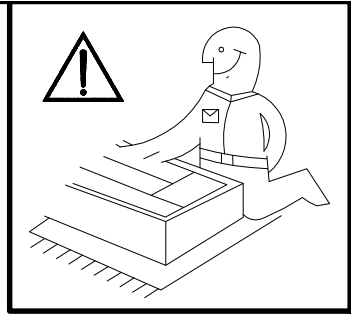
3

L=20mm  D2 4
--

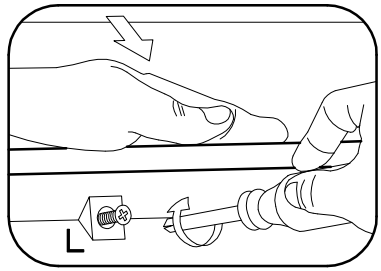
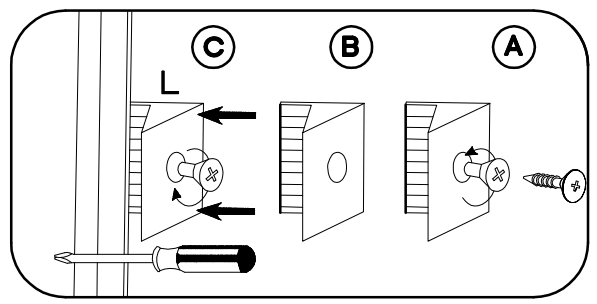
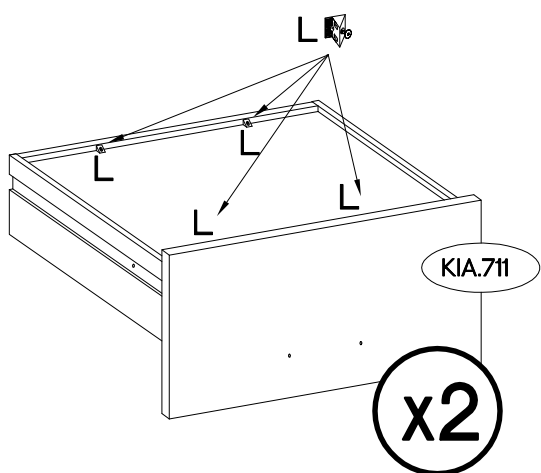
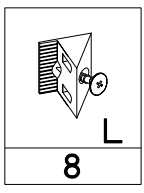
x2

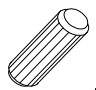
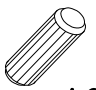


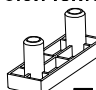
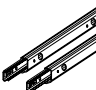



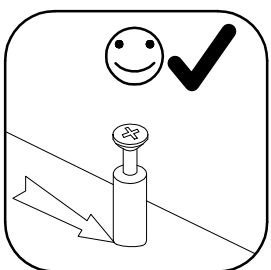
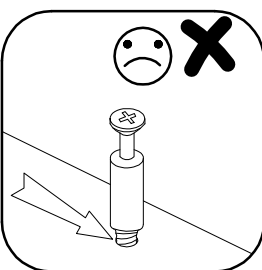
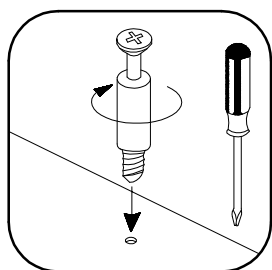
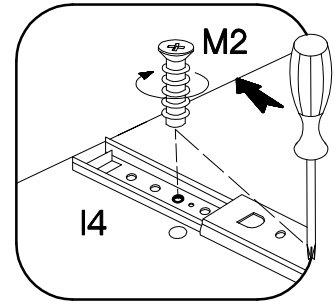
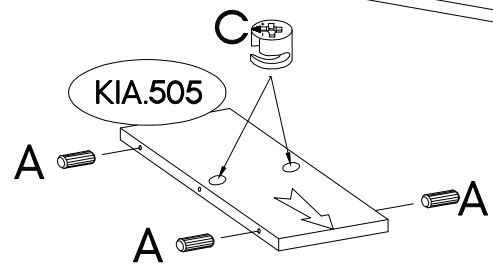
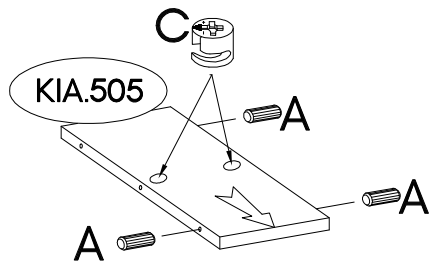
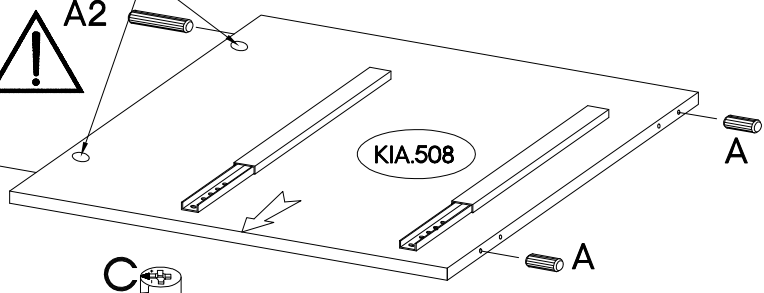
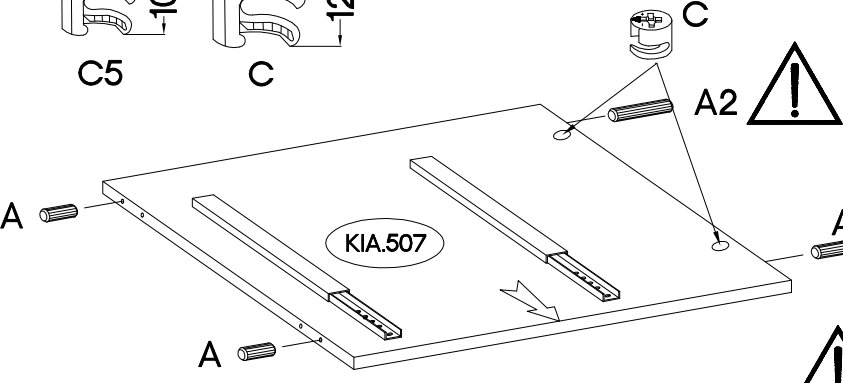
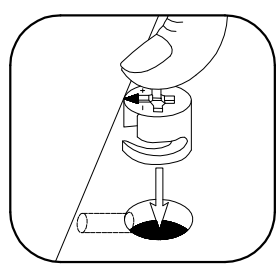
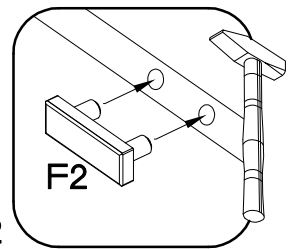
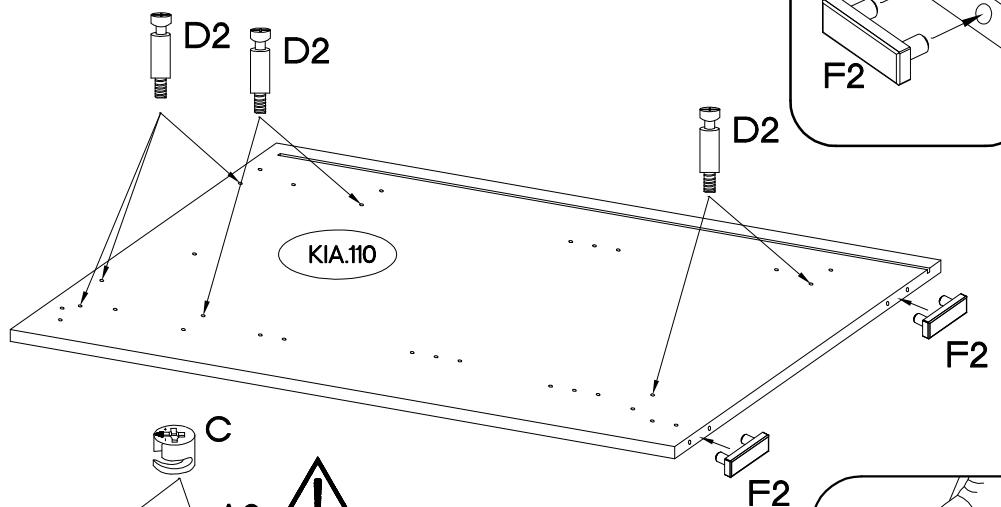
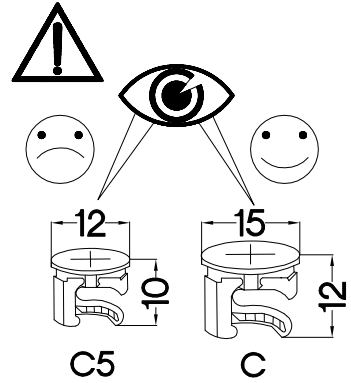
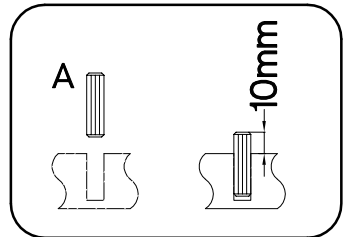
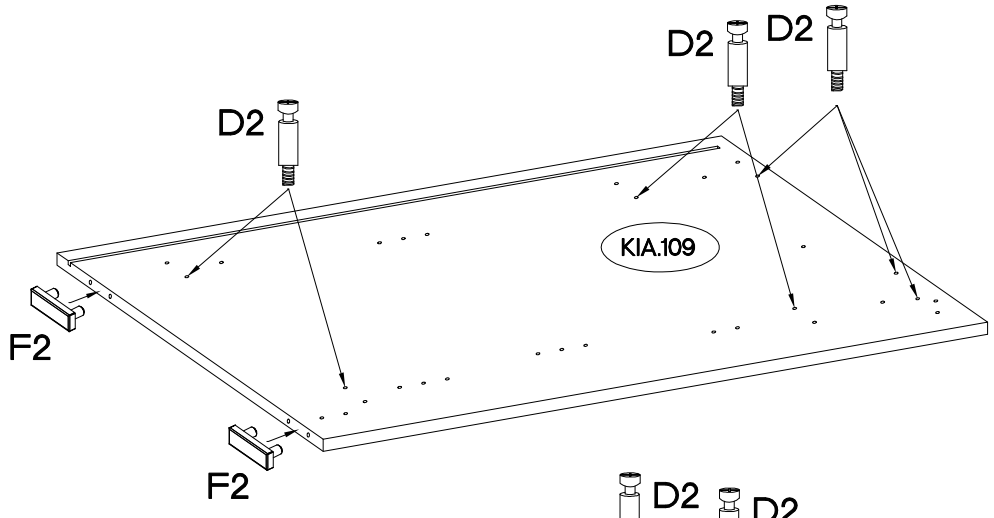
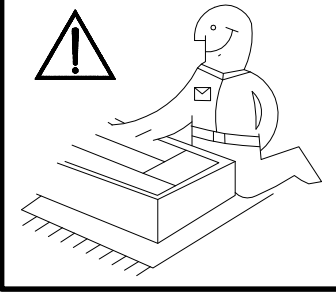
4

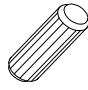







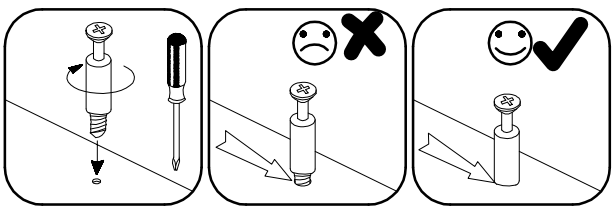
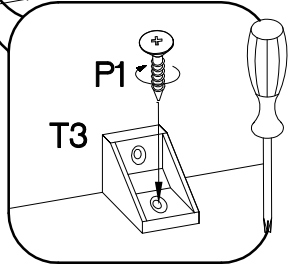
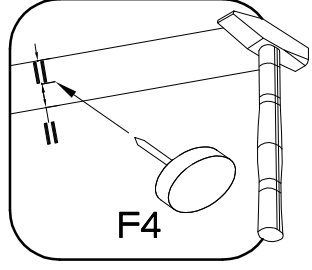
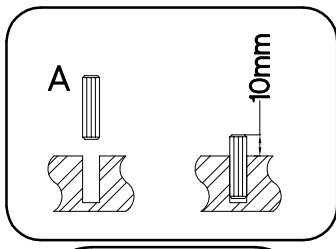
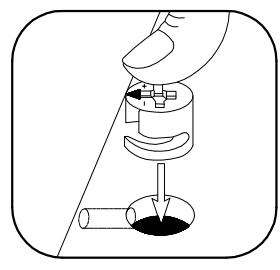
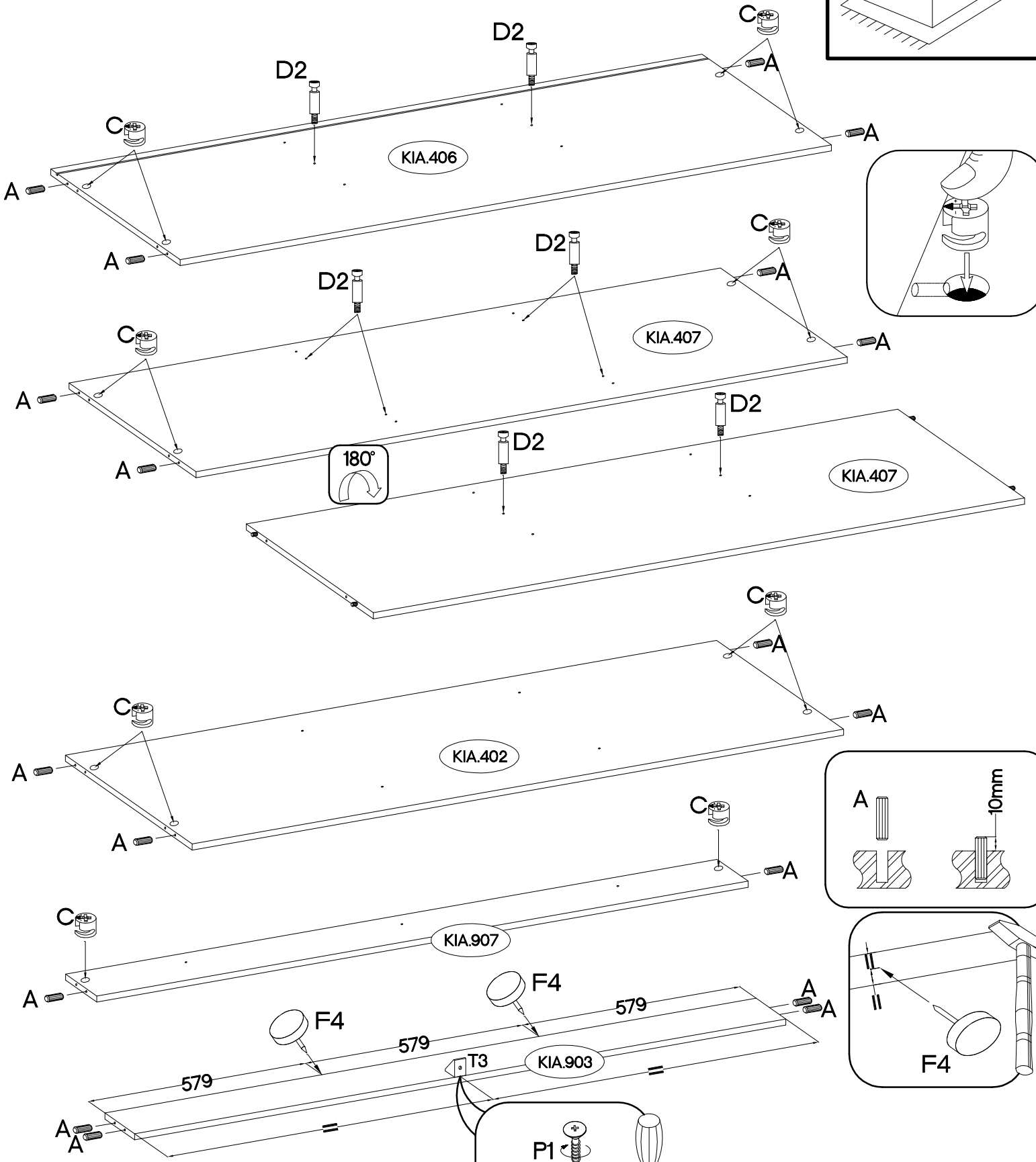
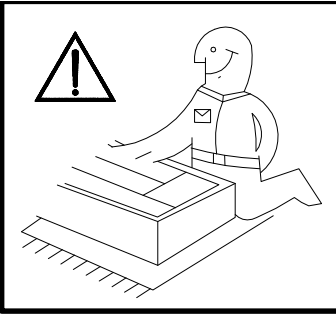
5



±8x30mm	±8x60mm	L=20mm	±15/12mm	6.5x48x16	27/310mm	±6,3x13mm
						
A	A2	D2	C	F2	I4	M2
12	2	14	8	4	2	8

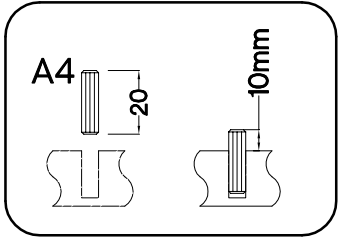
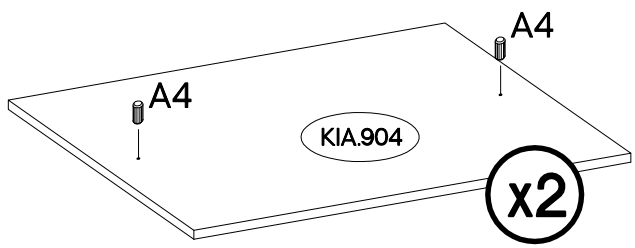
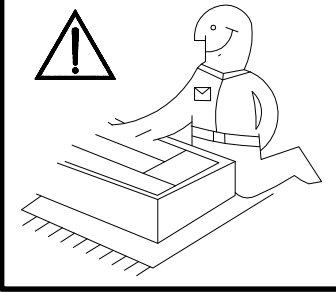


+8x30mm  A	L=20mm  D2	+15/12mm  C	 T3	+4.0x16mm  P1	+15x5mm  F4
18	8	14	1	1	2



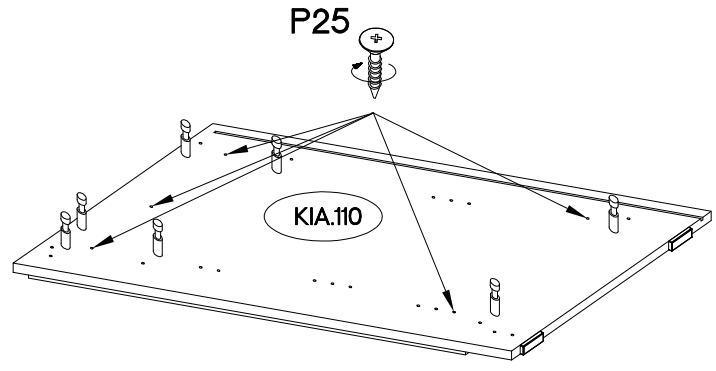
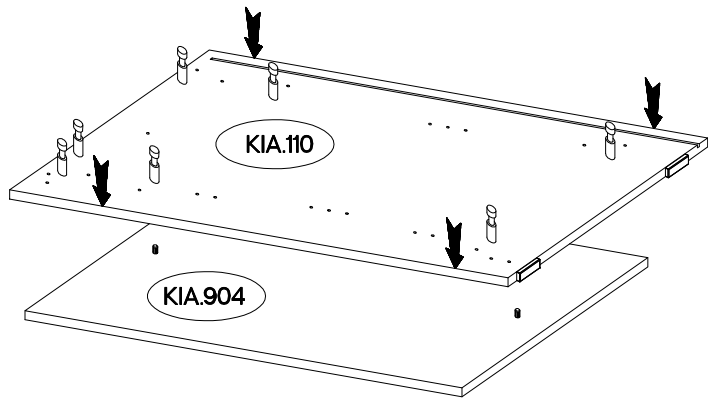
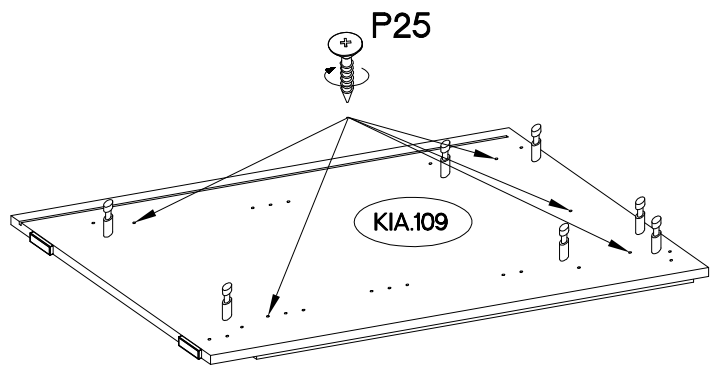
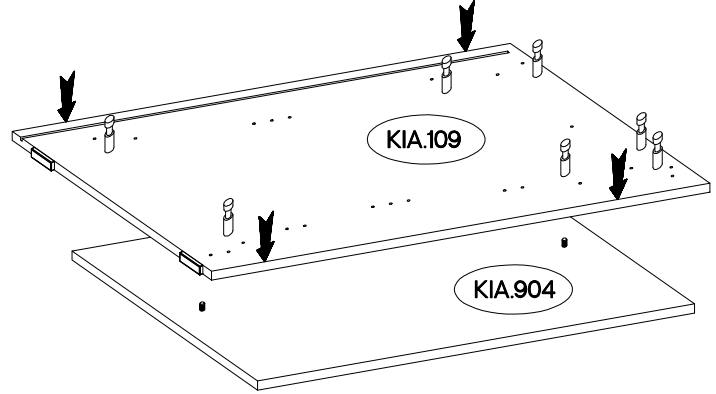
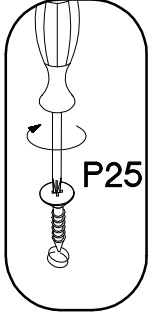
8

+8x20mm
A4
4

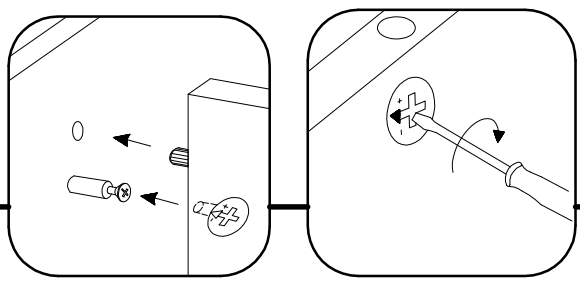
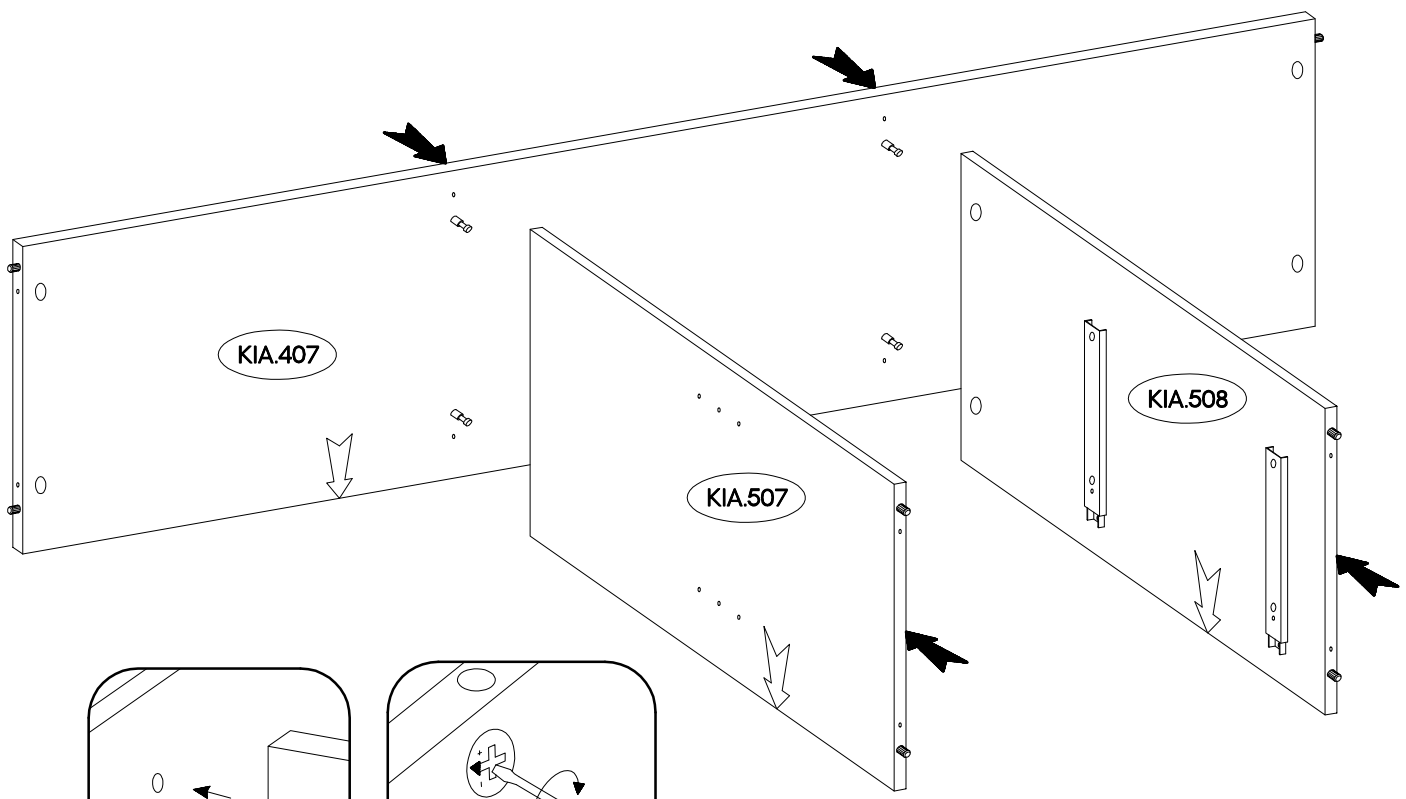
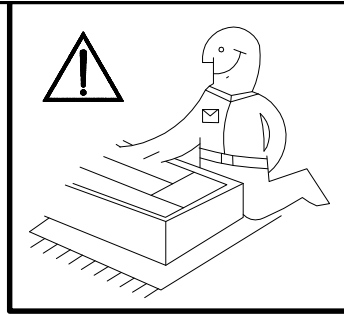


9

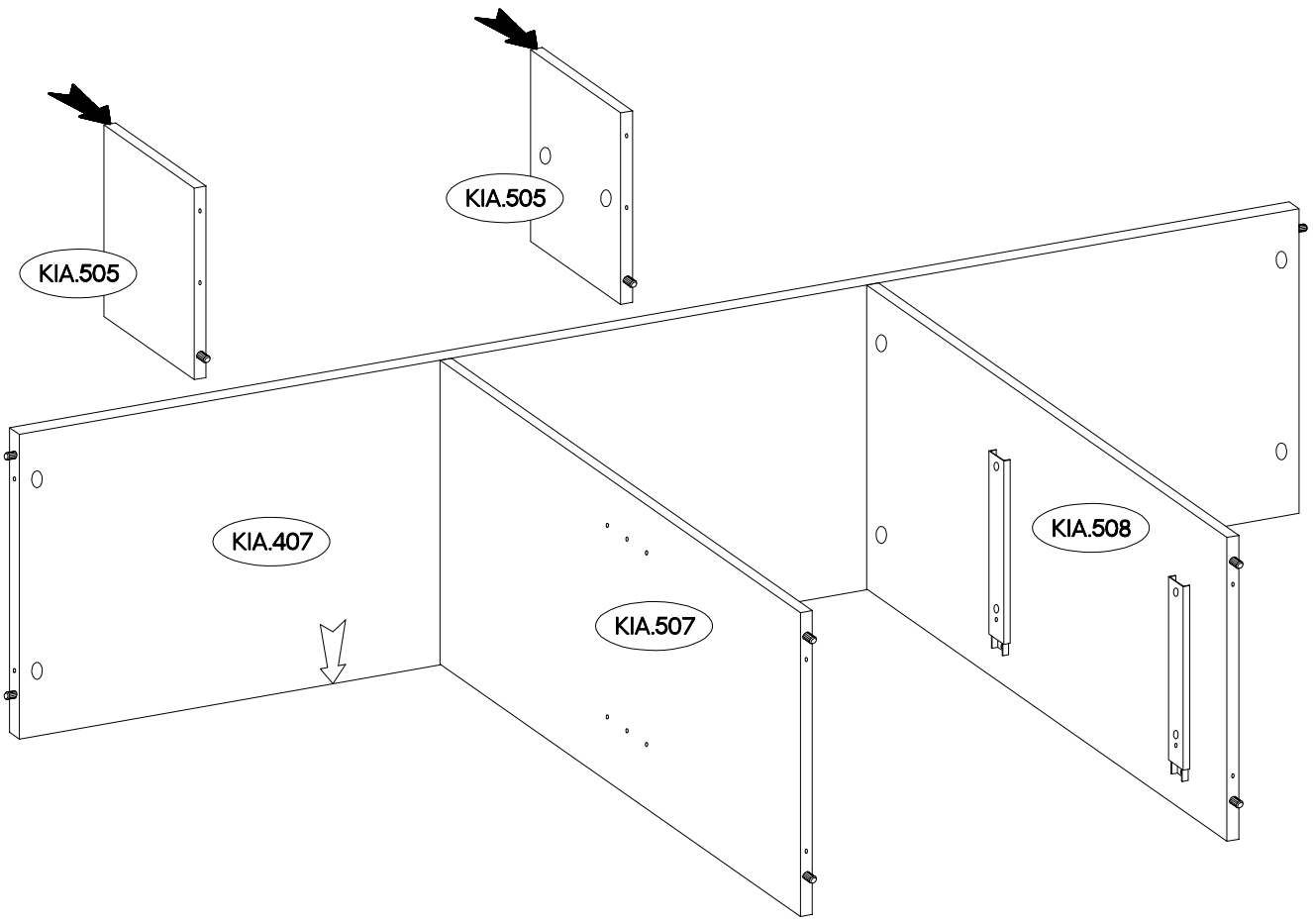
+3.5x25mm
BLACK
P25
10



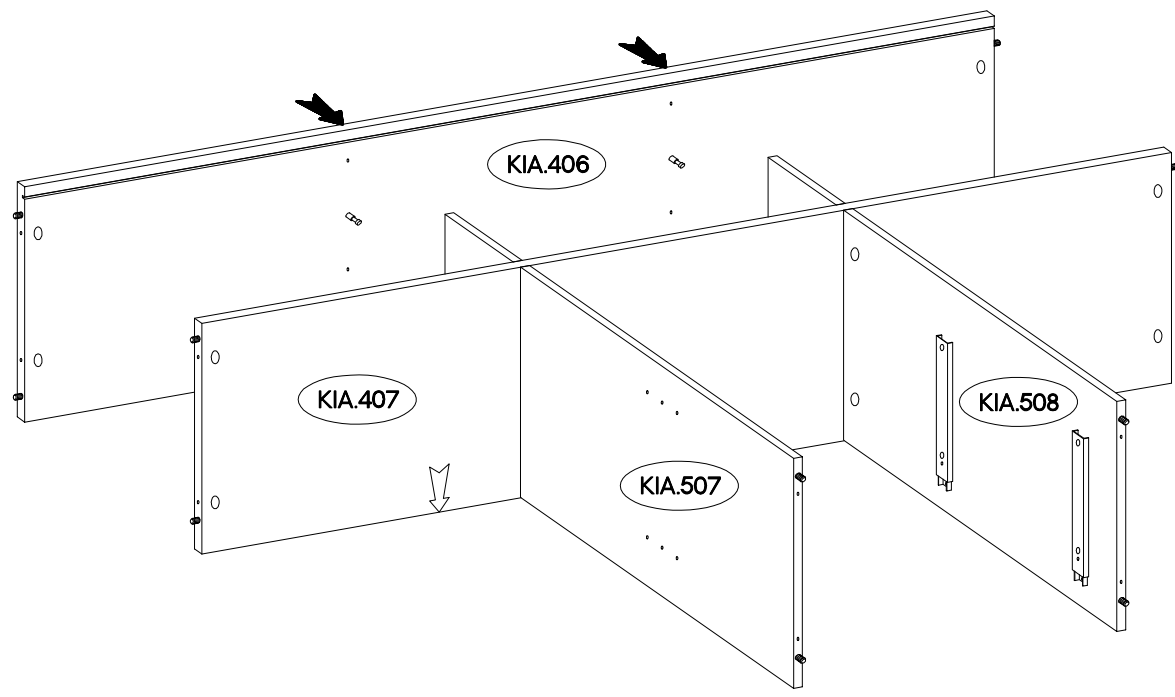
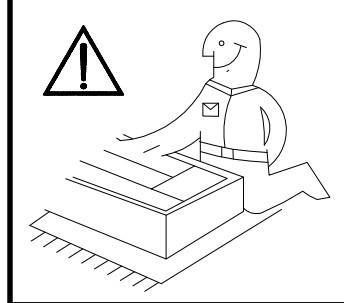
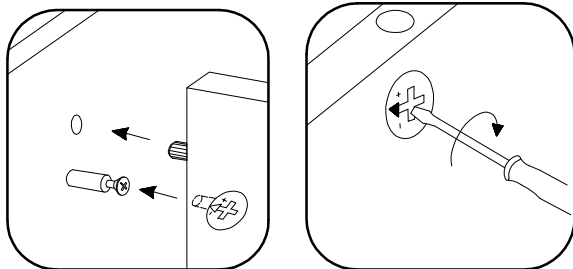
10




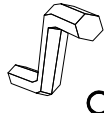
11

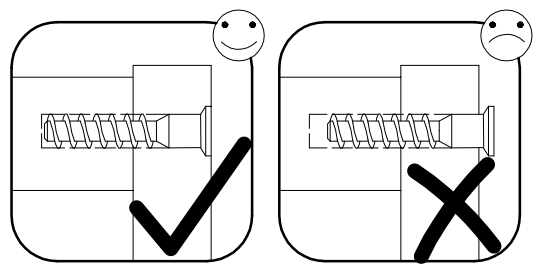
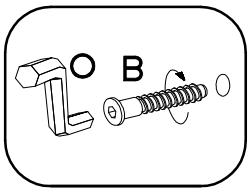
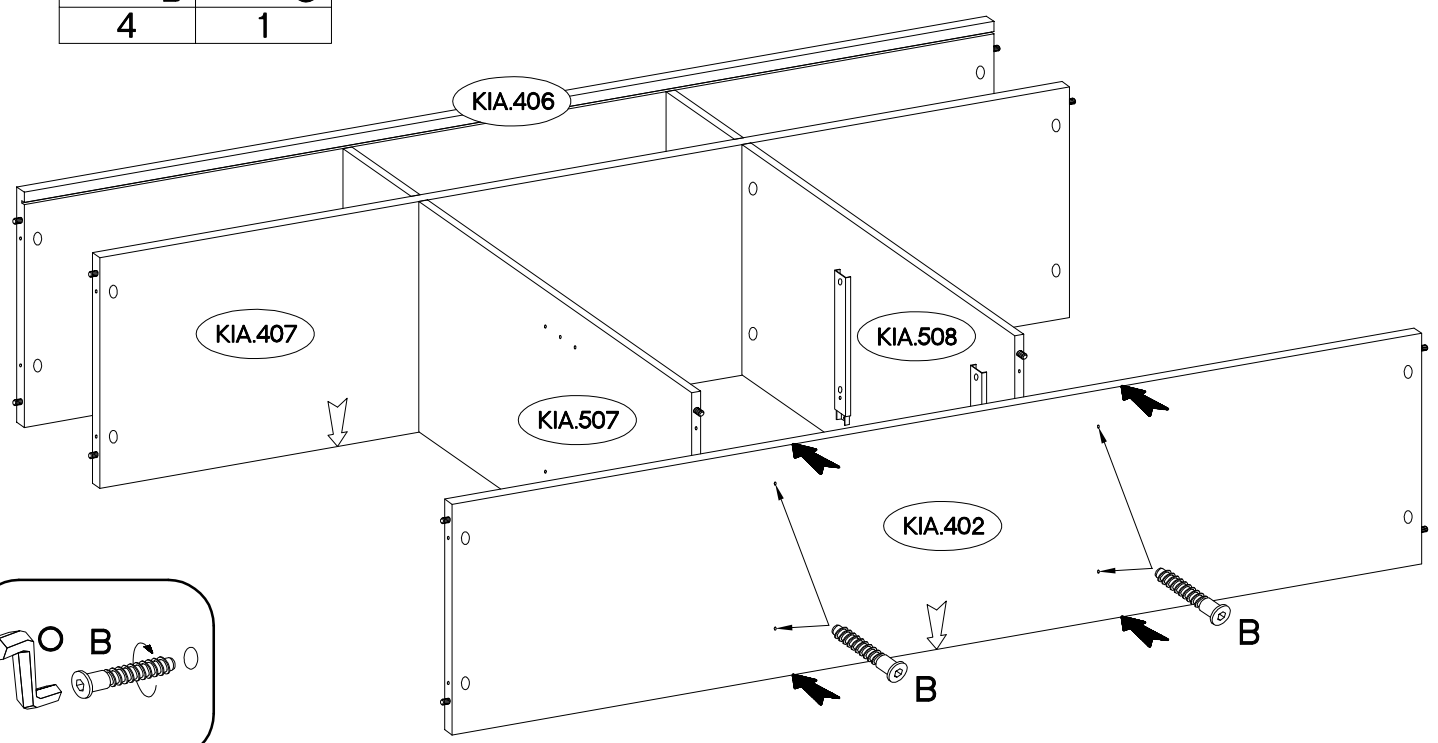


12

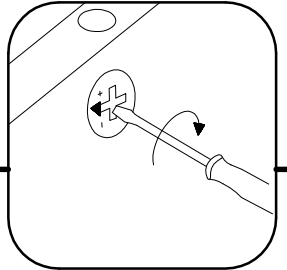
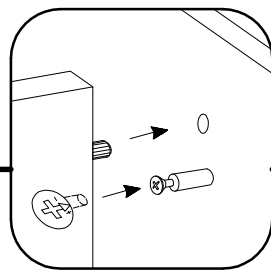
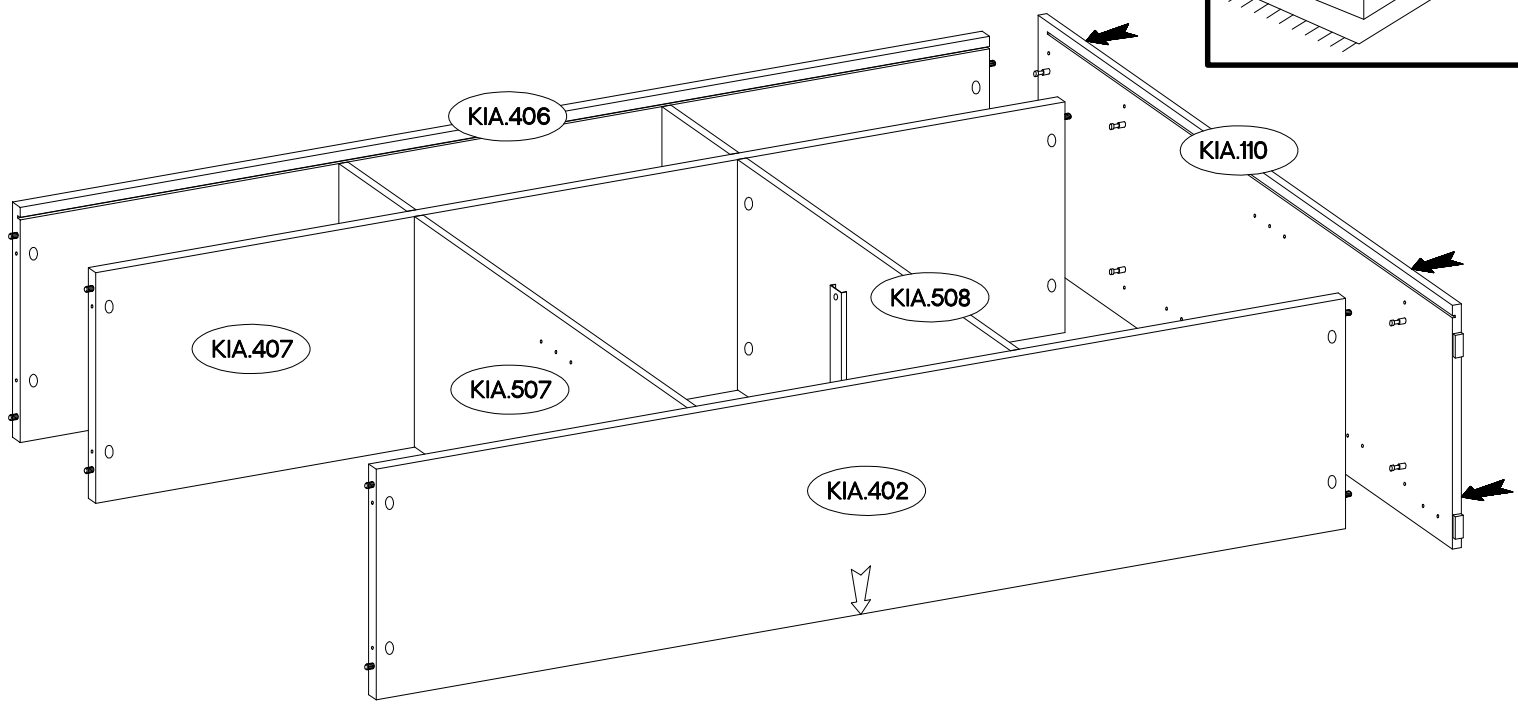
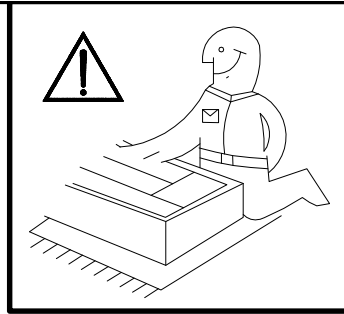


13

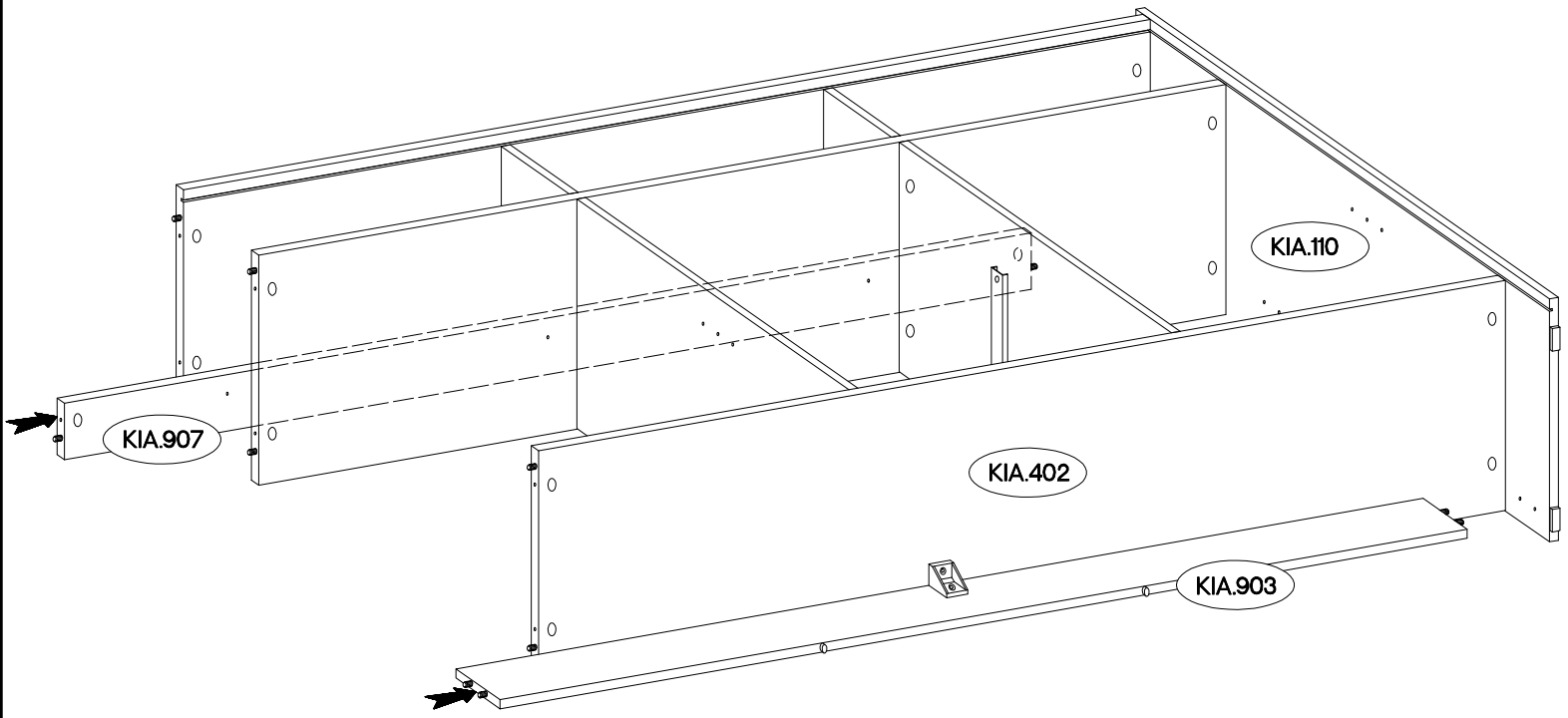
6,4 x 50mm	
	
B	O
4	1



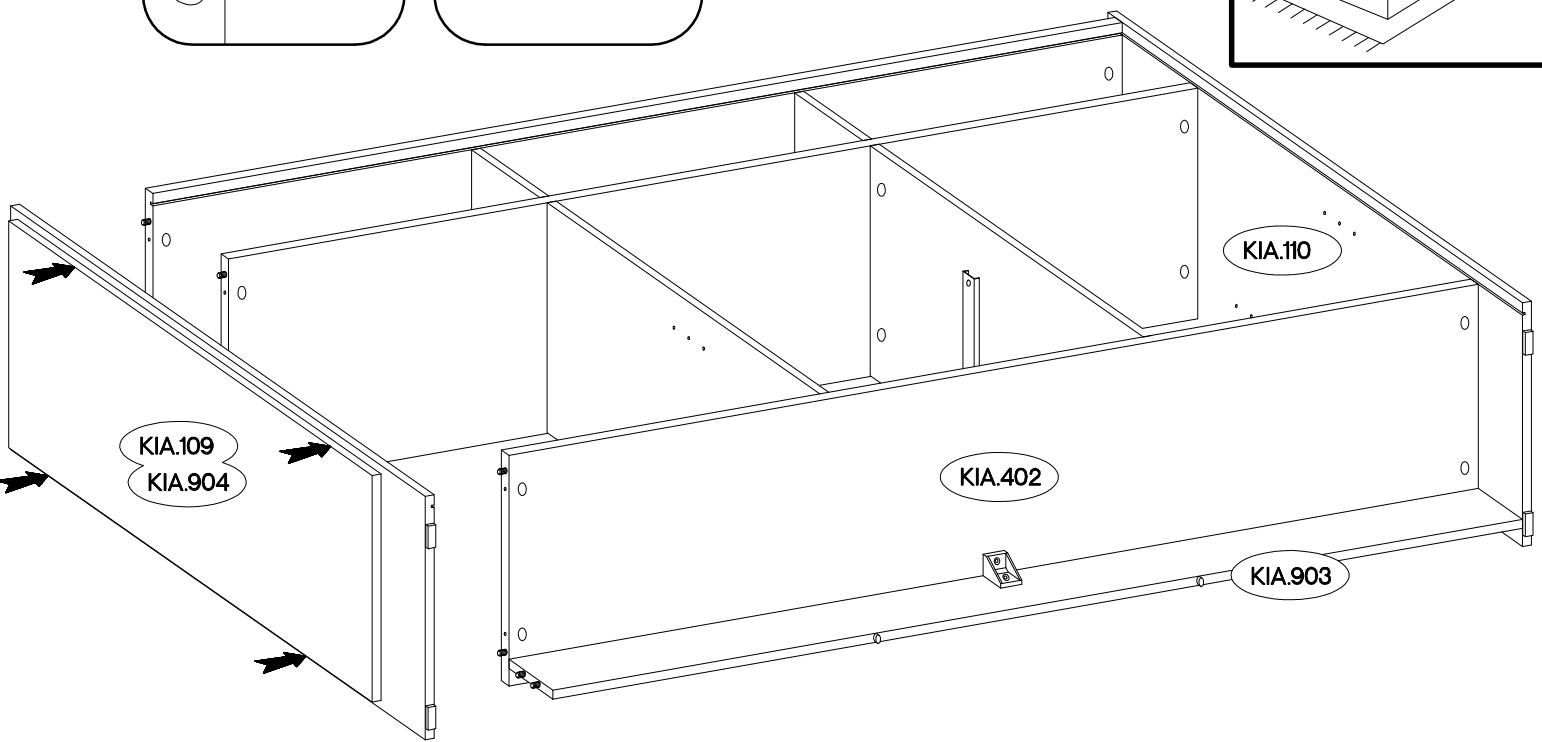
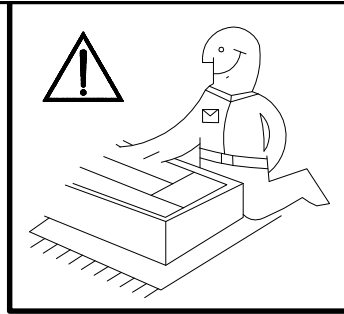
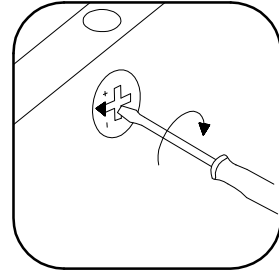
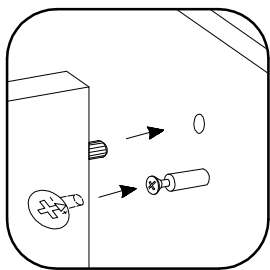
14



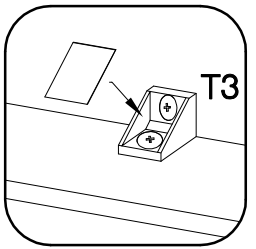
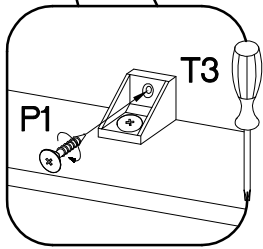
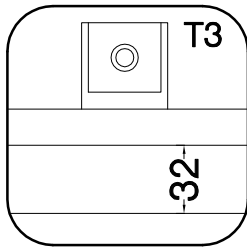
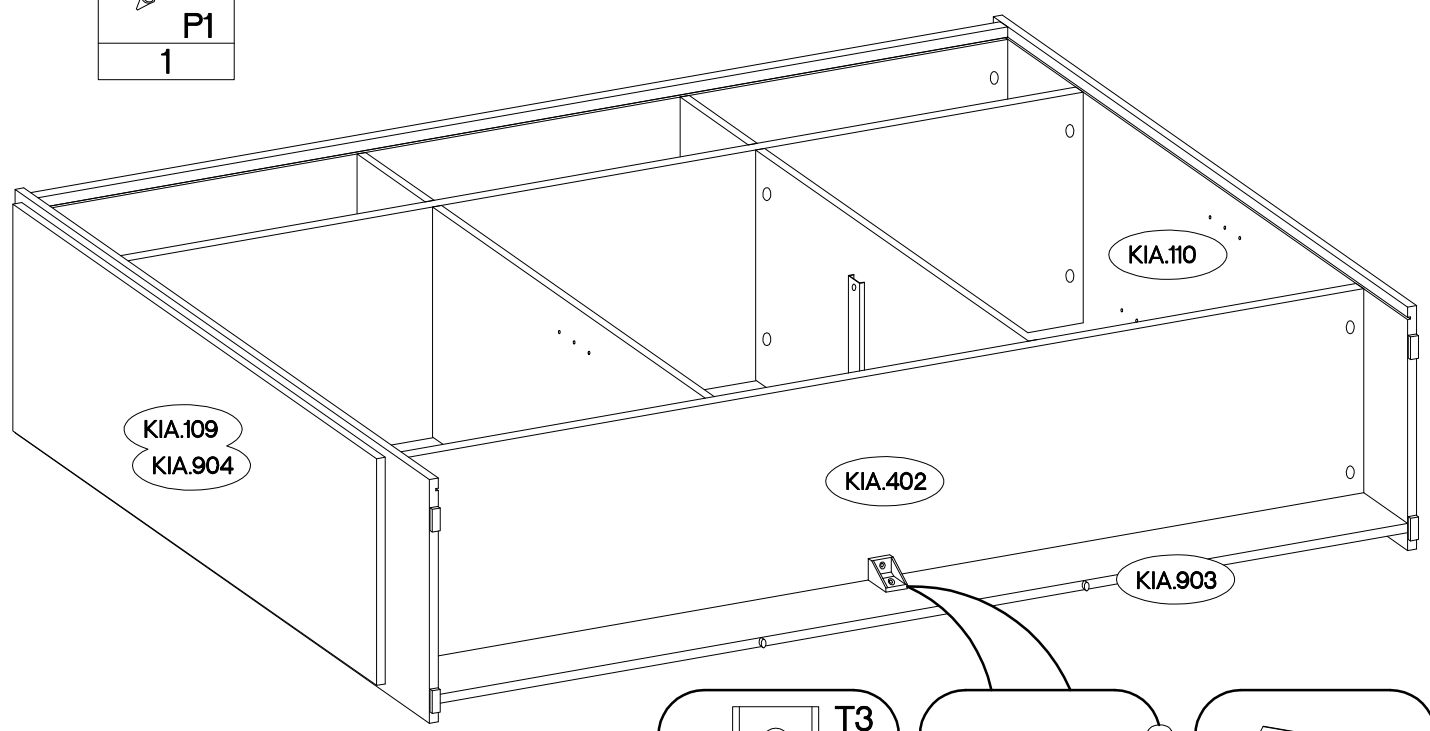
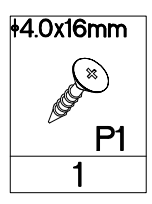
15






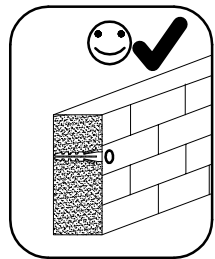
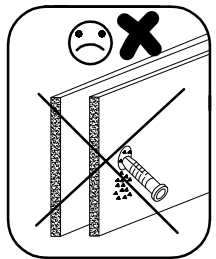
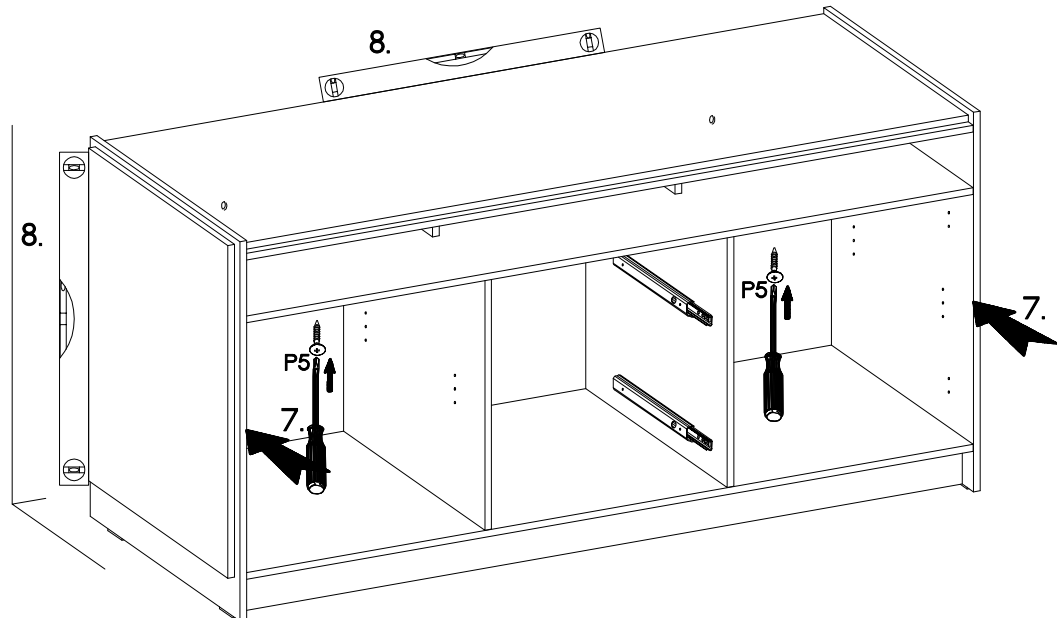
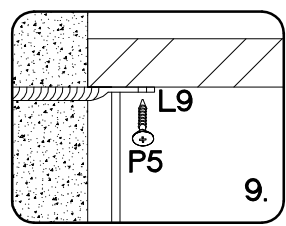
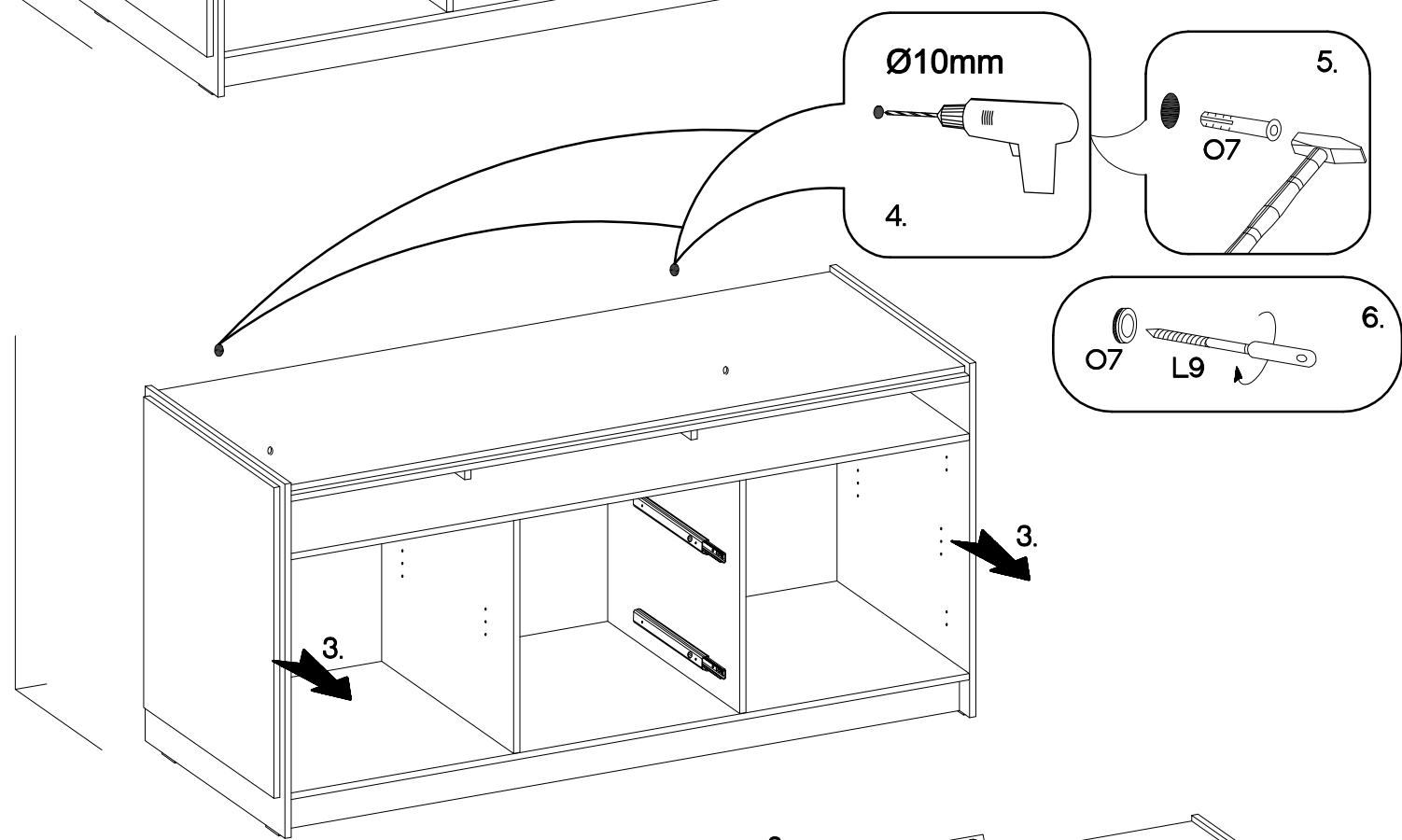
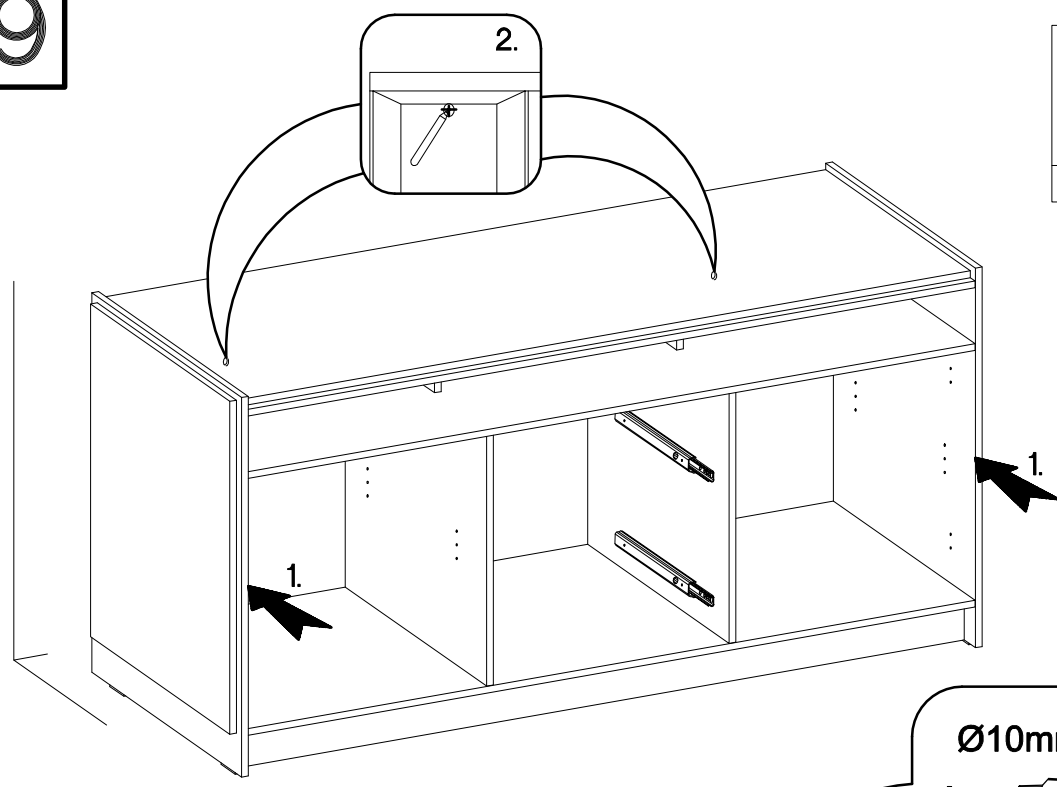
16






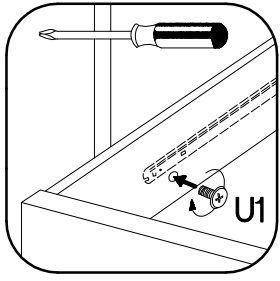
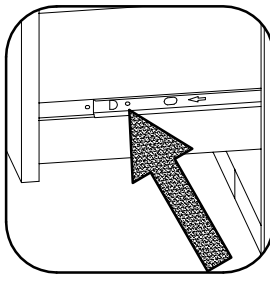
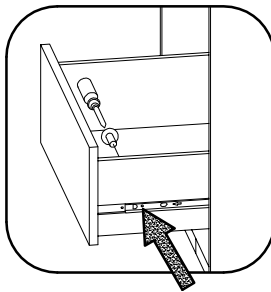
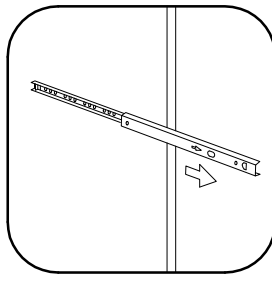
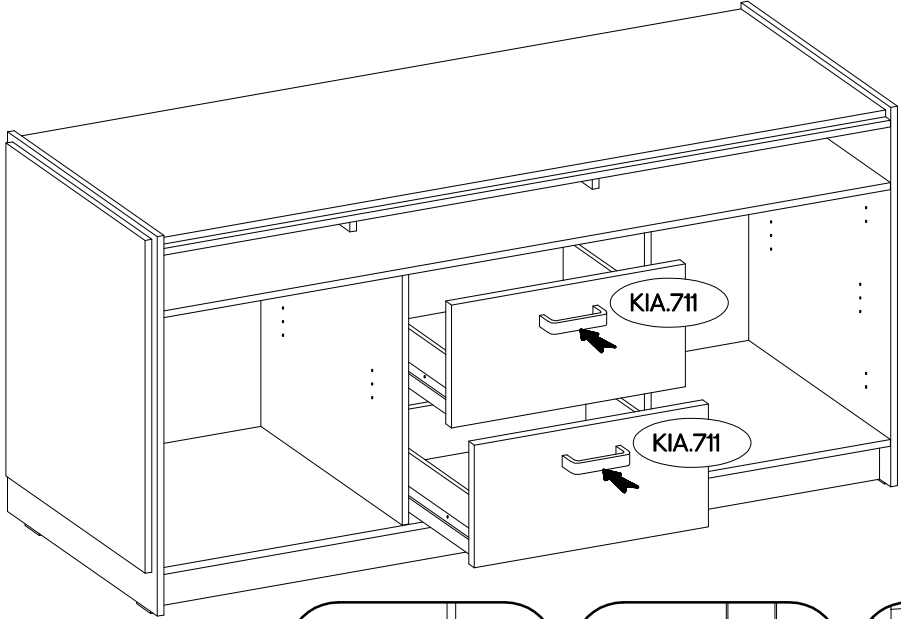
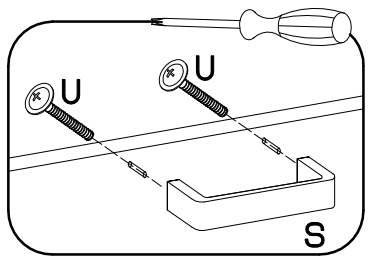
17





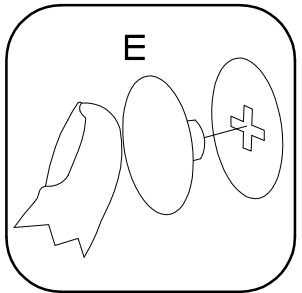
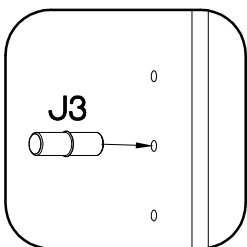
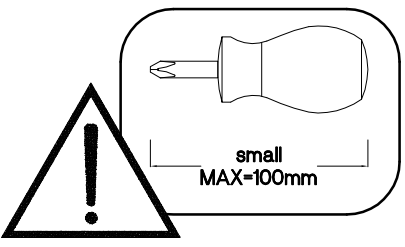
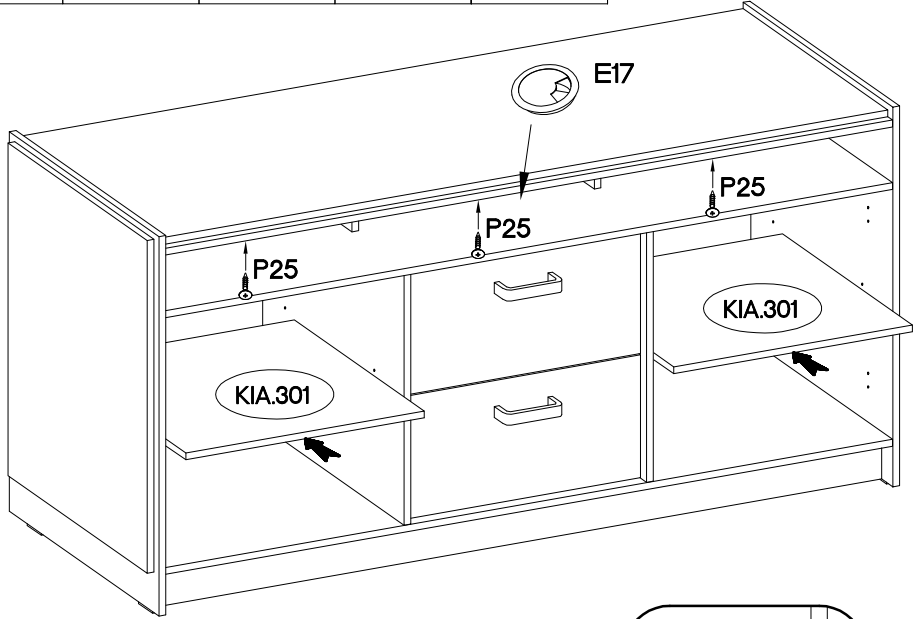
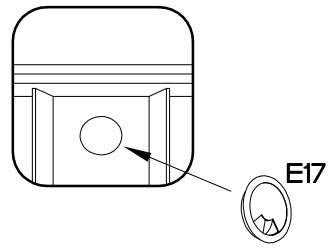
<p>±10x50mm</p>  <p>Ø7</p> <p>2</p>	<p>L9</p>  <p>L9</p> <p>2</p>	<p>±3.5x13mm</p>  <p>P5</p> <p>2</p>
---	---	---

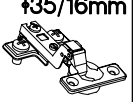



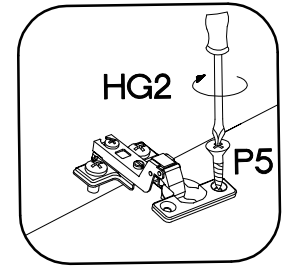
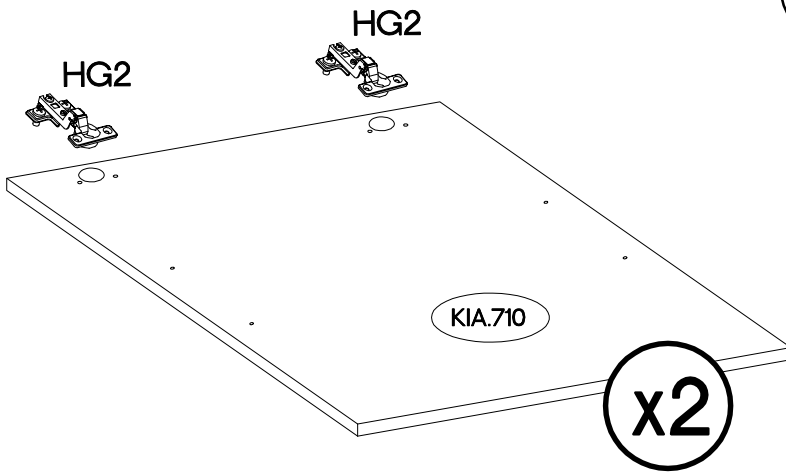
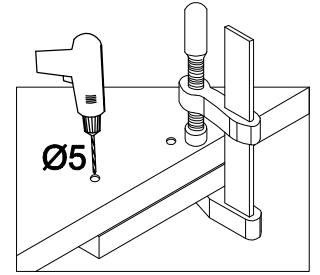
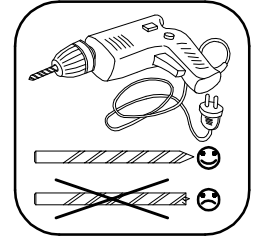
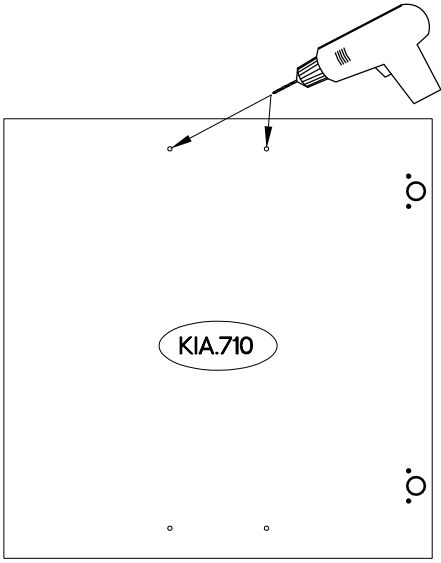
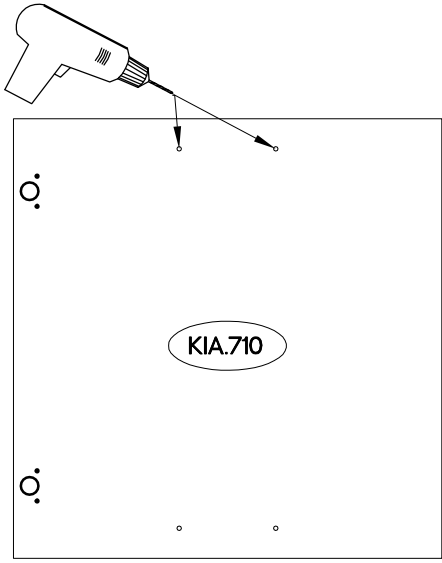
L=128mm	M4x22mm	M4x9mm
		
S	U	U1
2	4	4





±5/16mm	±60	±3.5x25mm BLACK		
J3	E17	P25	cza. E	art. E
8	1	3	14	4



 HG2 4	 P5 8
--	---



L=128mm	M4x22mm
	
S	U
2	4

