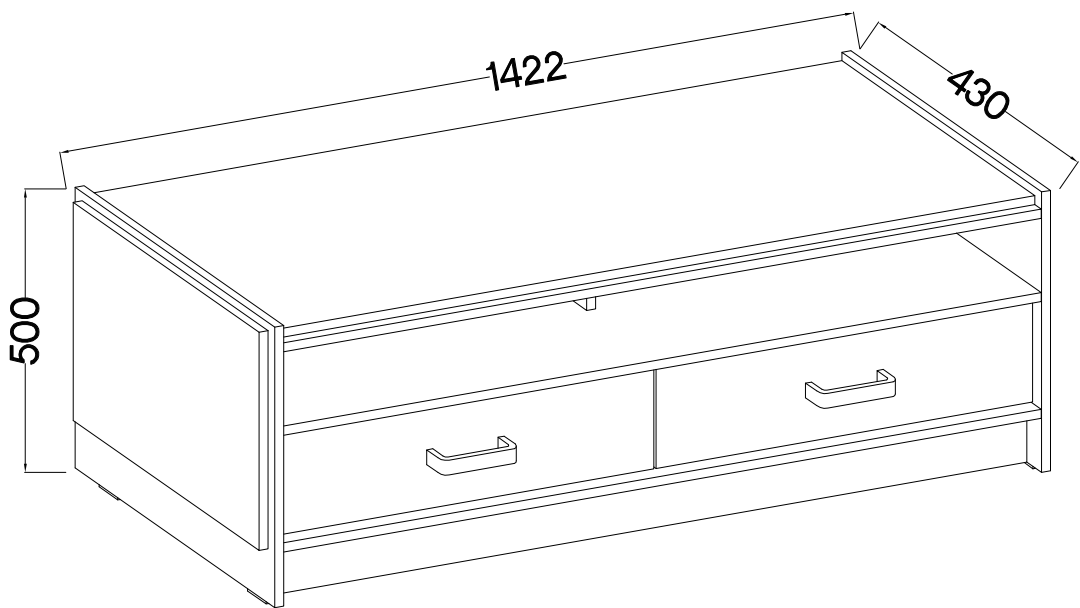
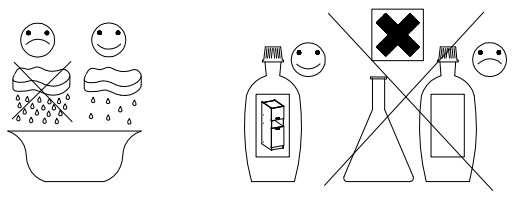
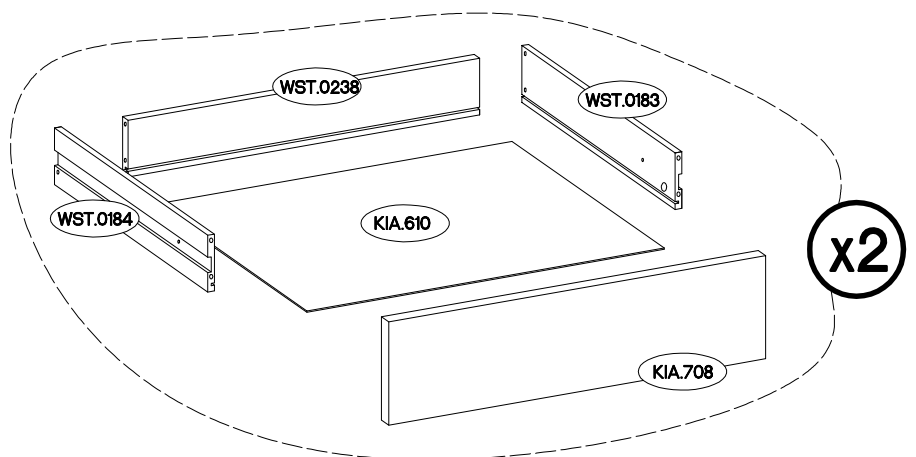
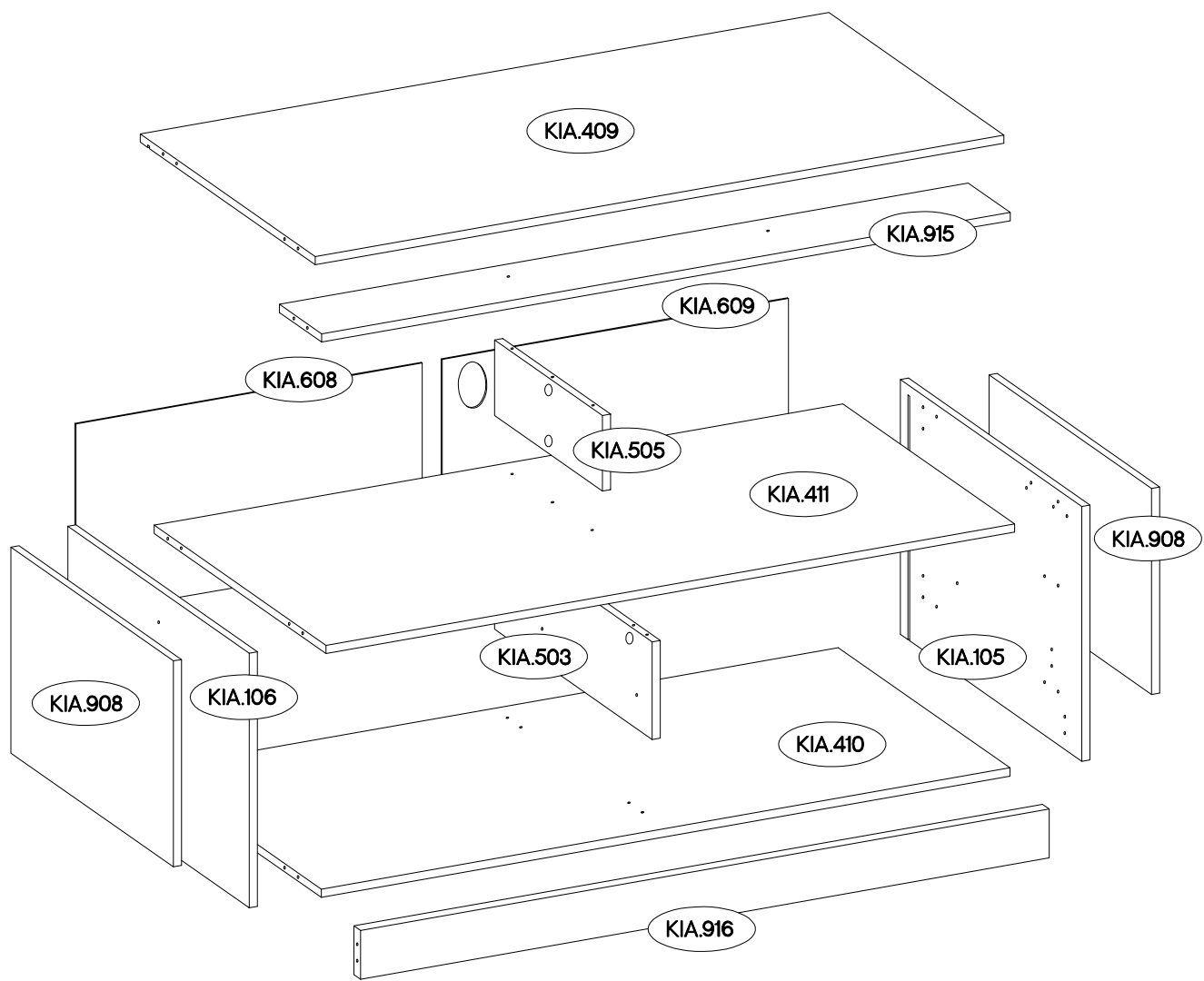


TYP 320



<p>†8x30mm A</p>	<p>†8x60mm A2</p>	<p>†8x20mm A4</p>	<p>6,4 x 50mm B</p>	<p>†6x42mm B2</p>						
32	1	4	2	4						
<p>†15/12mm C</p>	<p>†12/10mm C5</p>	<p>L=20mm D2</p>	<p>cza. E</p>	<p>art. E</p>	<p>6.5x48x16 F2</p>	<p>†15x5mm F4</p>	<p>27/310mm I4</p>	<p>†20/8mm J14</p>	<p>L</p>	<p>L2</p>
18	4	22	10	4	4	1	2	4	17	2
<p>†6,3x13mm M2</p>	<p>†6.3x20mm M3</p>	<p>O</p>	<p>O1</p>	<p>†4.0x16mm P1</p>	<p>†3.0x20mm P7</p>	<p>†3.5x25mm BLACK P25</p>	<p>L=128mm S</p>	<p>T3</p>	<p>M4x22mm U</p>	<p>M4x9mm U1</p>
4	4	1	1	2	22	10	2	1	4	4

ISM-KIA-006




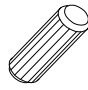

Colli	Ersatzteil Nummer	Dimension
1/2	KIA.105	495x430x16
	KIA.106	495x430x16
	KIA.503	190x374x16
	KIA.505	147x256x16
	KIA.608	372x683x2,5
	KIA.609	372x683x2,5
	KIA.610 x2	640x327x2,5
	KIA.908 X2	385x400x16
	WST.0183 x2	330x100x12
	WST.0184 x2	330x100x12
WST.0238 x2	630x100x12	

Colli	Ersatzteil Nummer	Dimension
2/2	KIA.409	1358x415x16
	KIA.410	1358x407x16
	KIA.411	1358x407x16
	KIA.708 x2	675x182x16
	KIA.915	1358x100x16
	KIA.916	1358x95x16

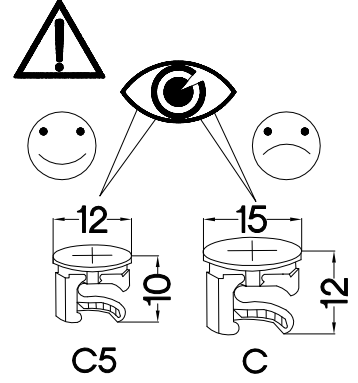
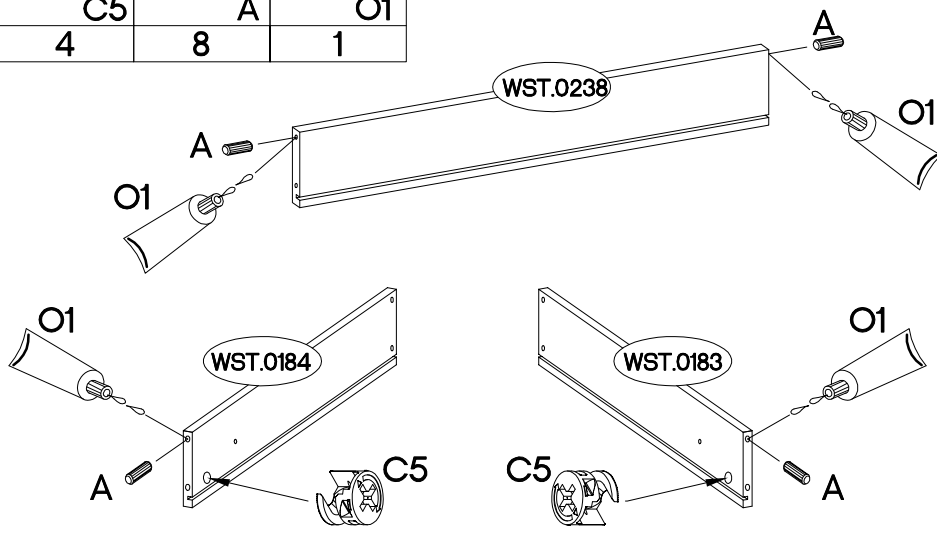
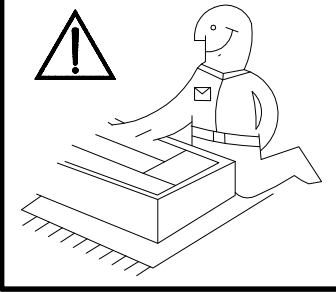


KIA.610

1



<p>±12/10mm</p>  <p>C5</p> <p>4</p>	<p>±8x30mm</p>  <p>A</p> <p>8</p>	 <p>O1</p> <p>1</p>
---	---	---

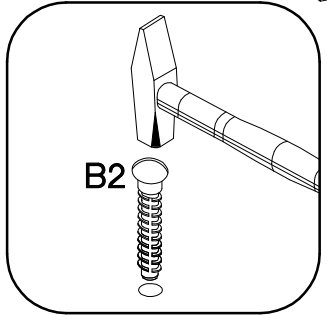
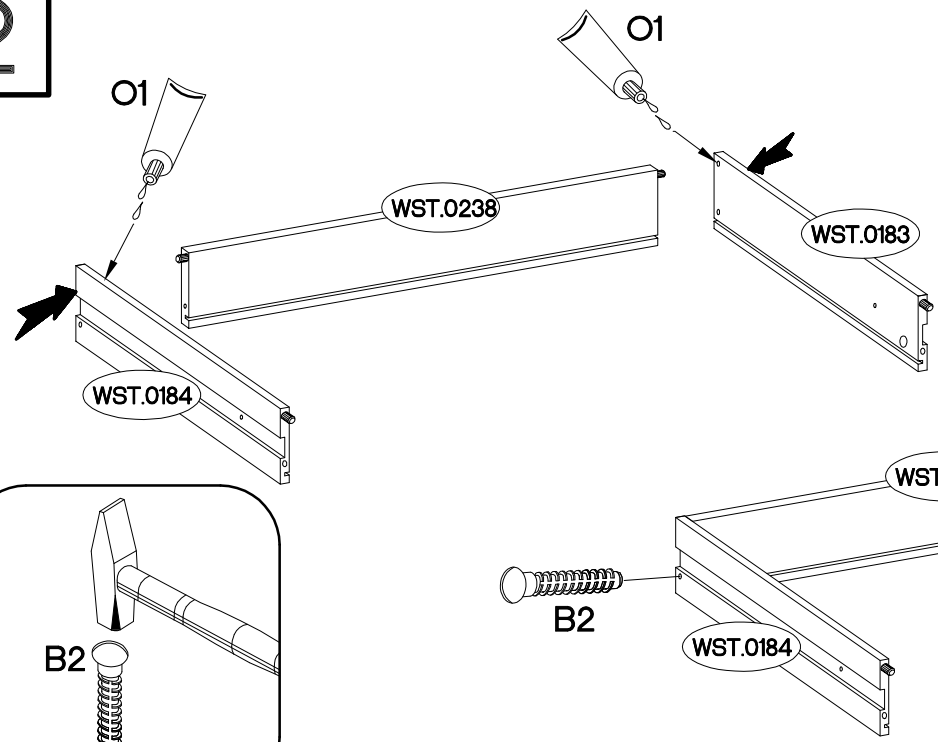
x2




2

x2

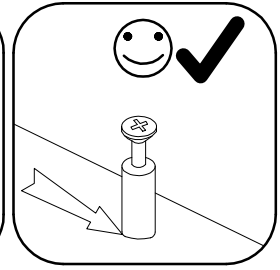
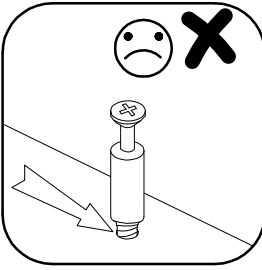
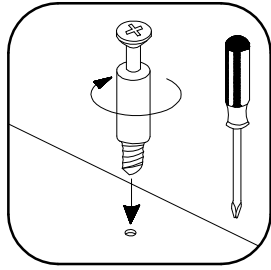
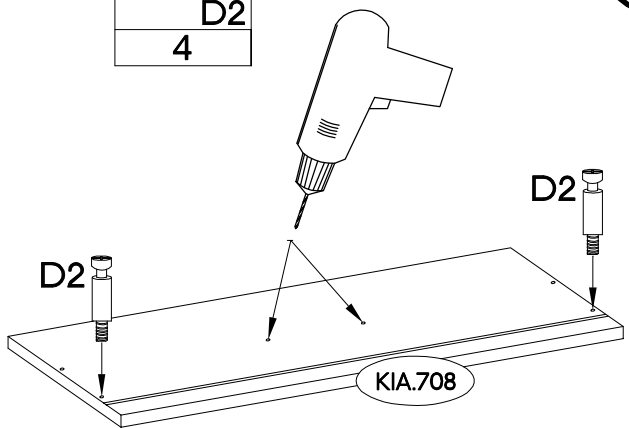
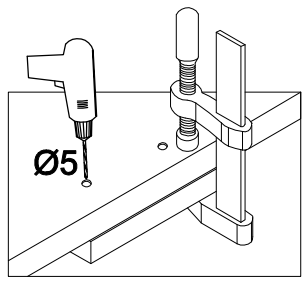
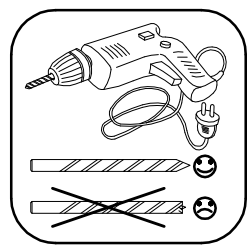
<p>±6x42mm</p>  <p>B2</p> <p>4</p>	 <p>O1</p> <p>1</p>
---	--



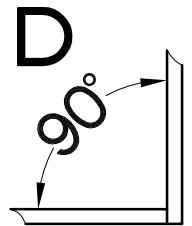
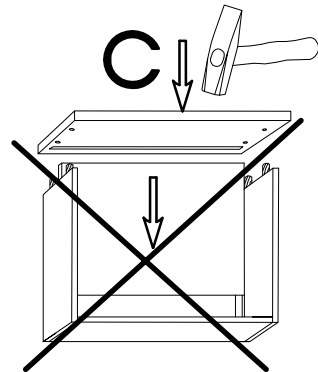
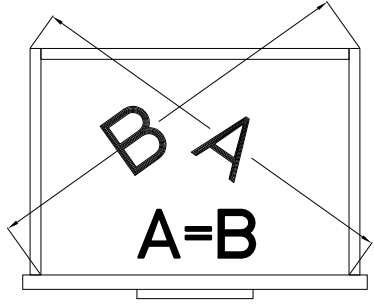
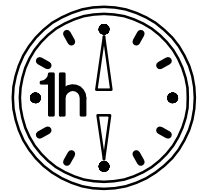
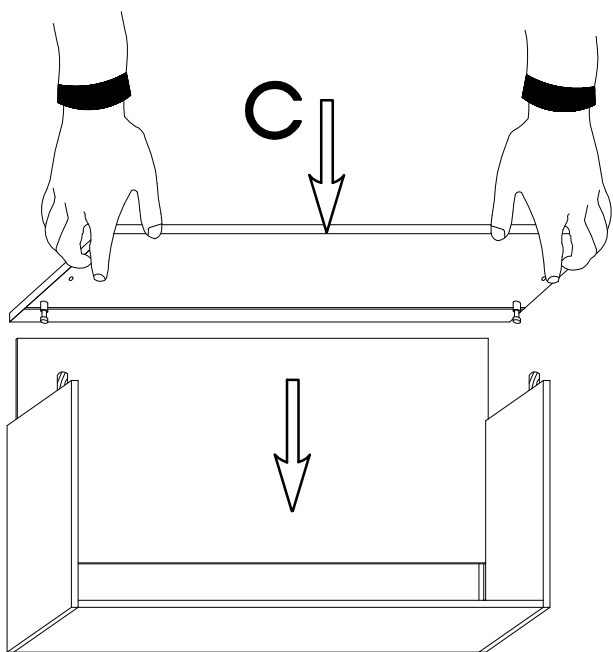
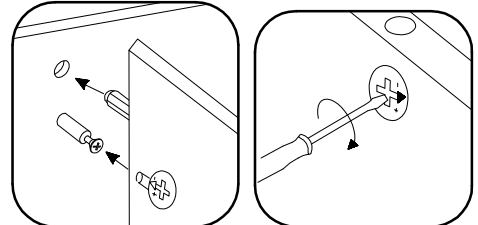
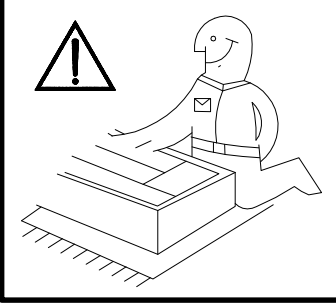
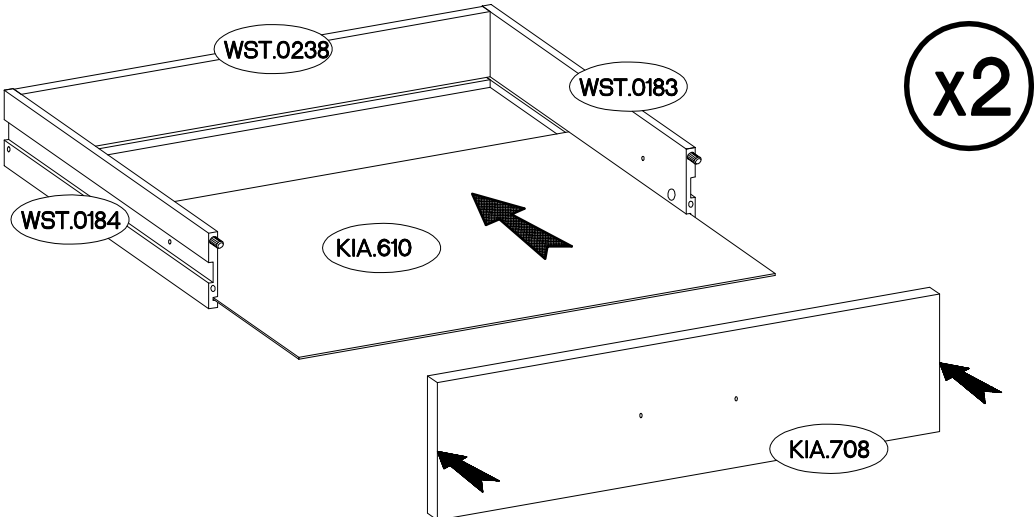
3

<p>L=20mm</p>  <p>D2</p> <p>4</p>
--

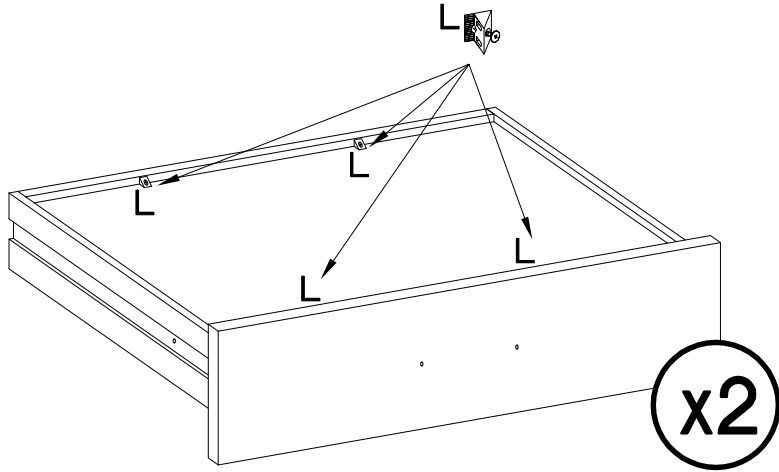
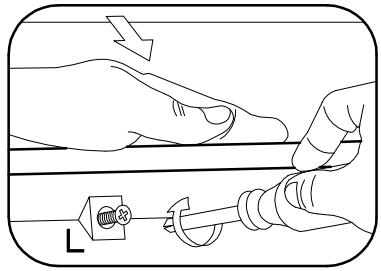
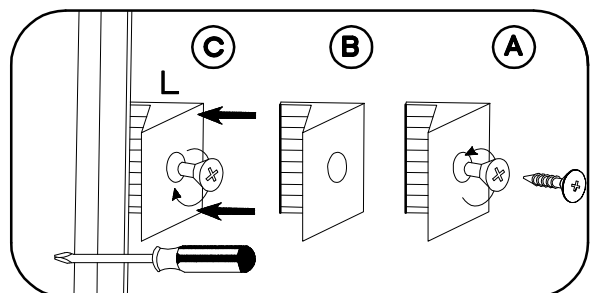
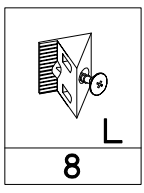
x2

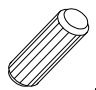
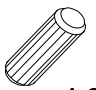


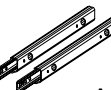


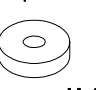



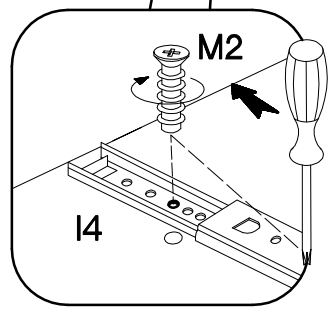
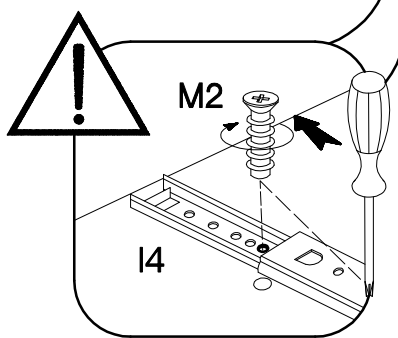
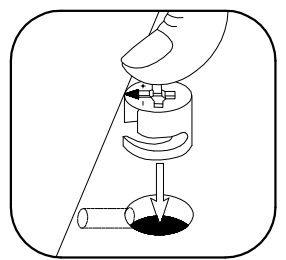
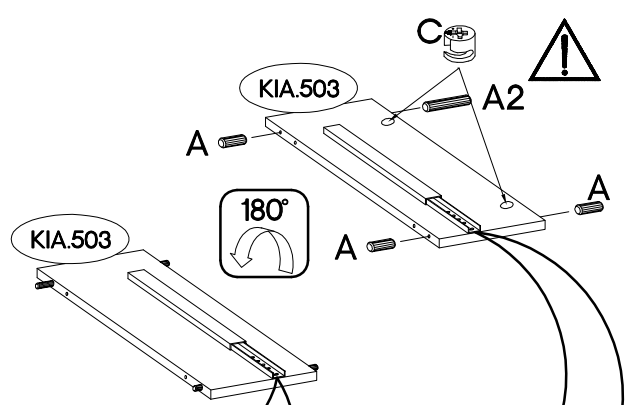
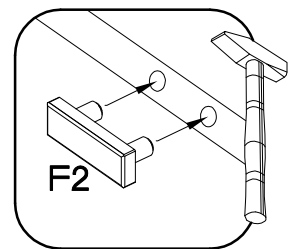
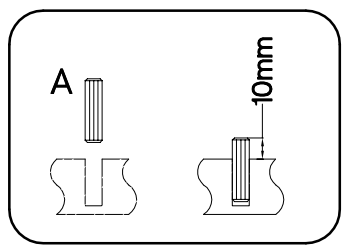
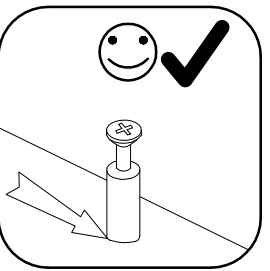
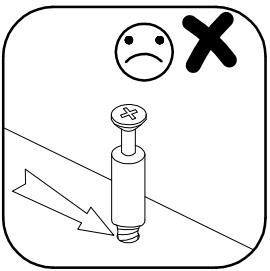
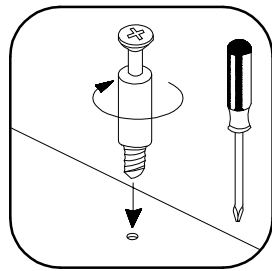
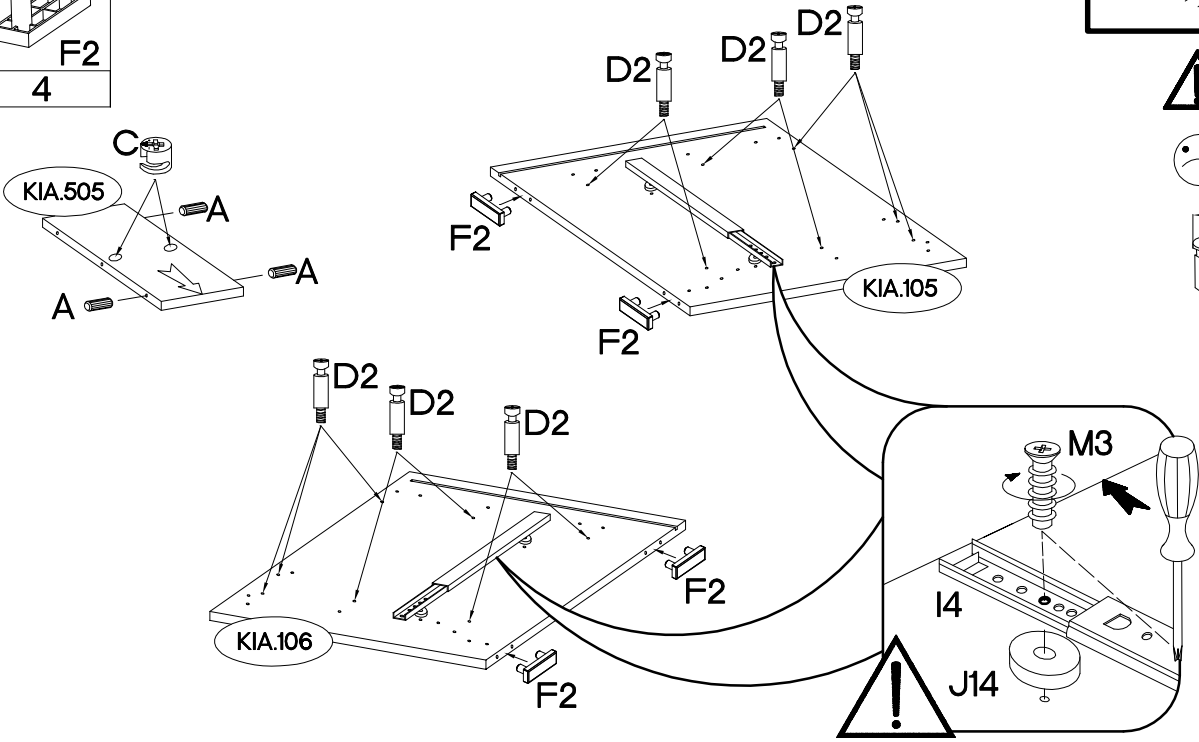
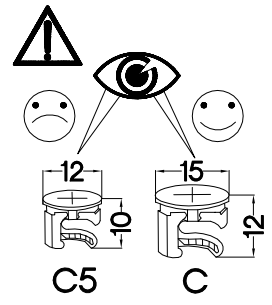
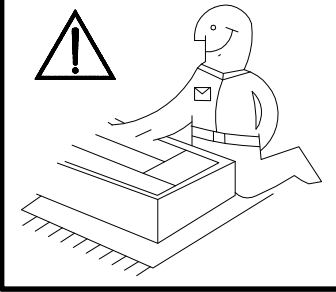
4

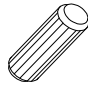


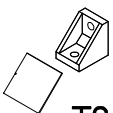




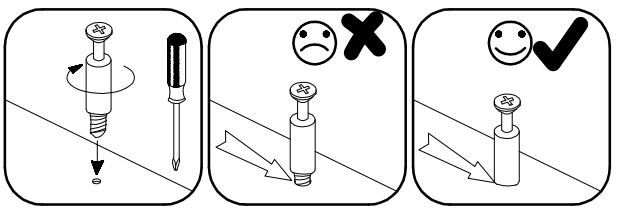
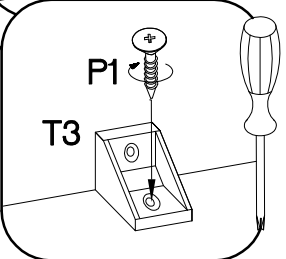
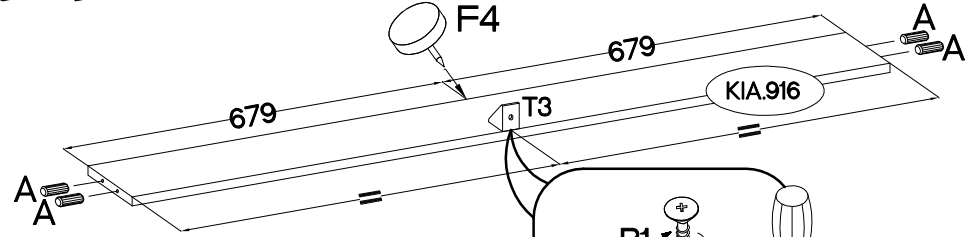
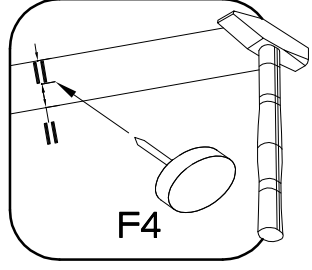
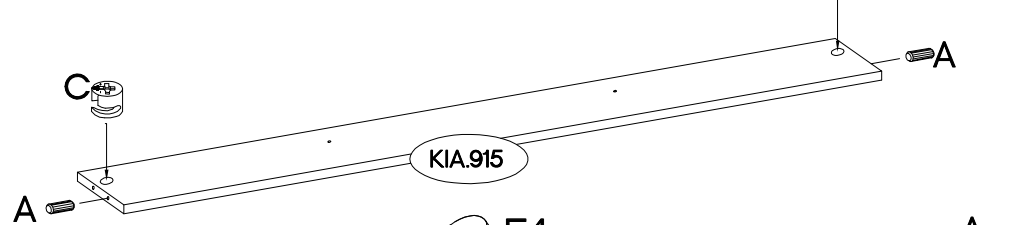
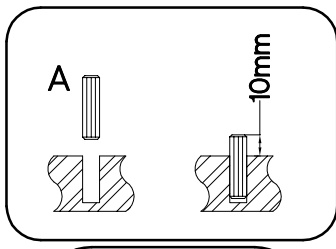
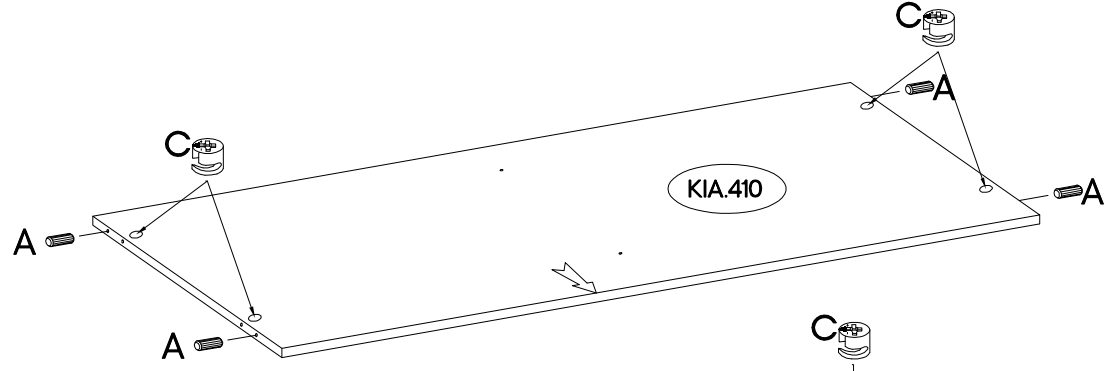
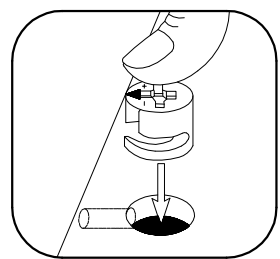
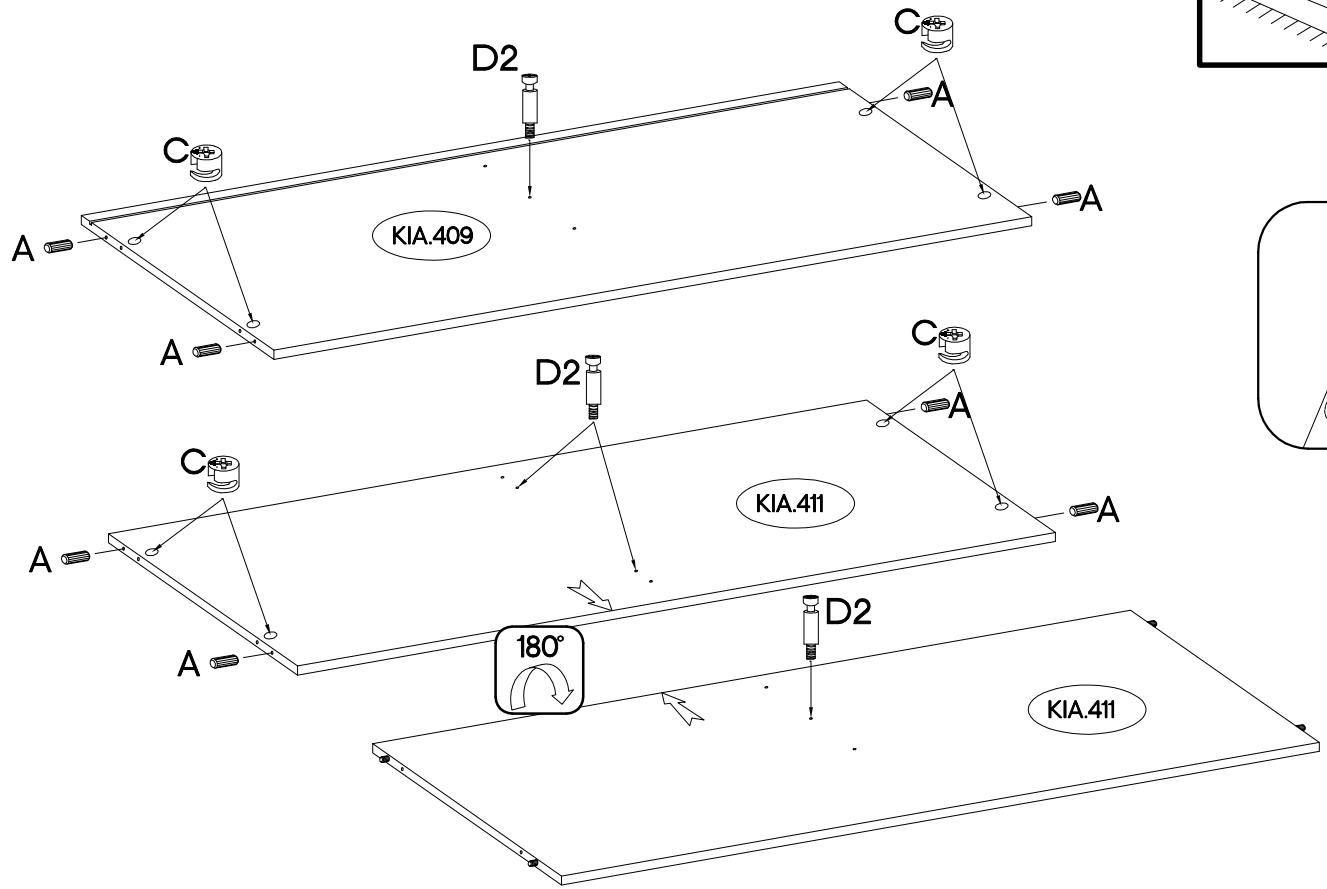
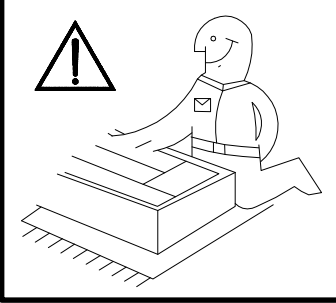
5



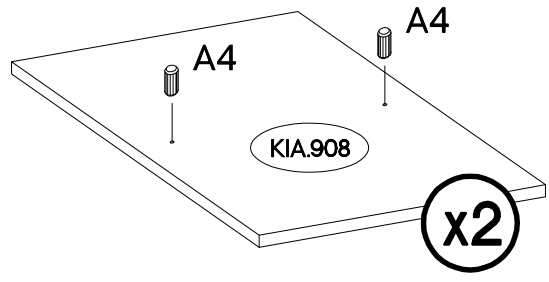
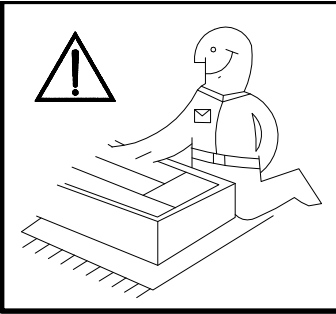
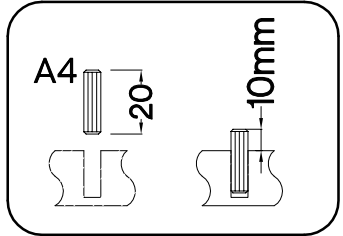
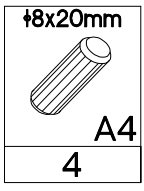
$\pm 8 \times 30 \text{mm}$  A	$\pm 8 \times 60 \text{mm}$  A2	L=20mm  D2	$\pm 15/12 \text{mm}$  C	27/310mm  I4	$\pm 6,3 \times 13 \text{mm}$  M2	$\pm 6,3 \times 20 \text{mm}$  M3	$\pm 20/8 \text{mm}$  J14
6	1	14	4	2	4	4	4
6.5x48x16  F2							
4							



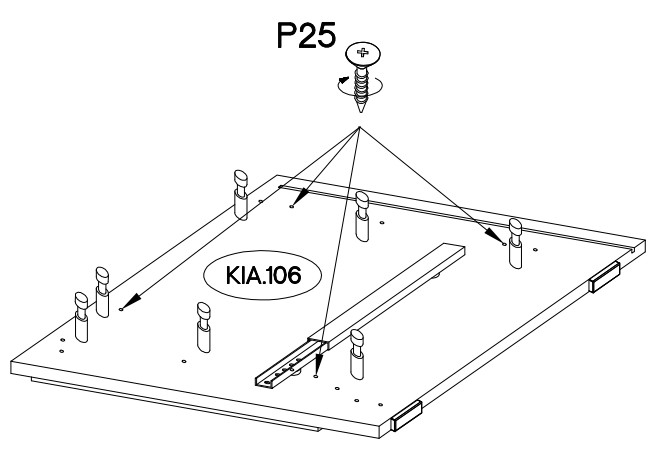
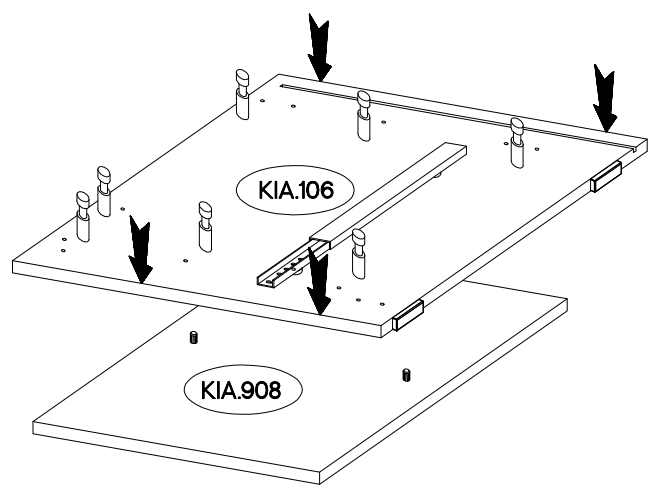
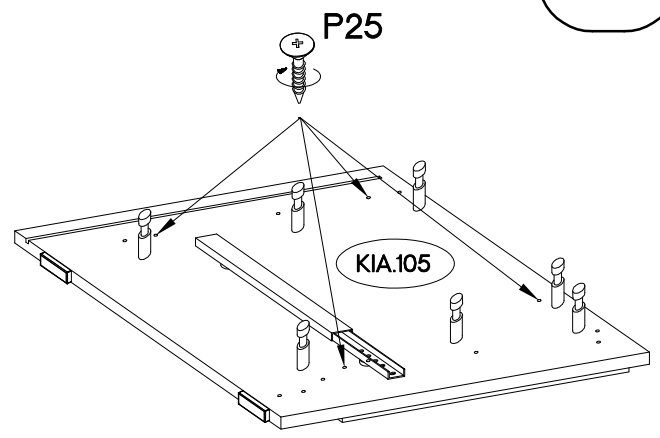
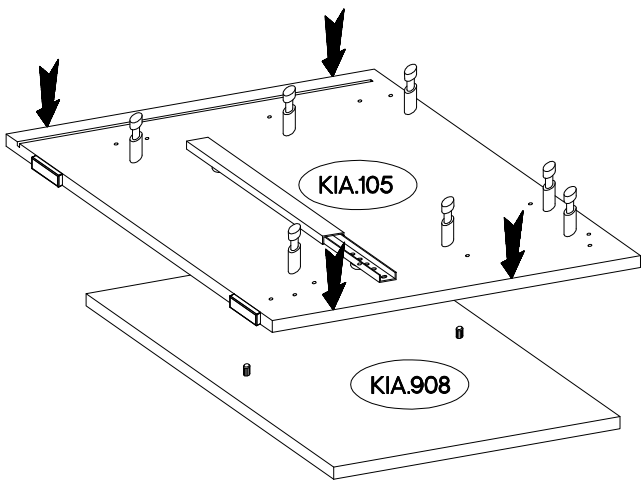
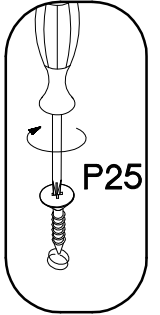
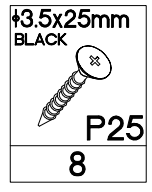
+8x30mm	L=20mm	+15/12mm		+4.0x16mm	+15x5mm
					
A	D2	C	T3	P1	F4
18	4	14	1	1	1



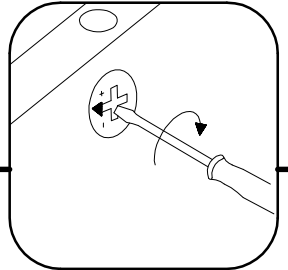
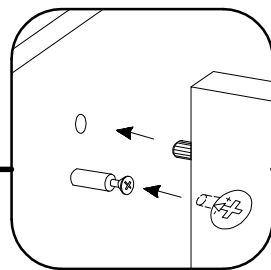
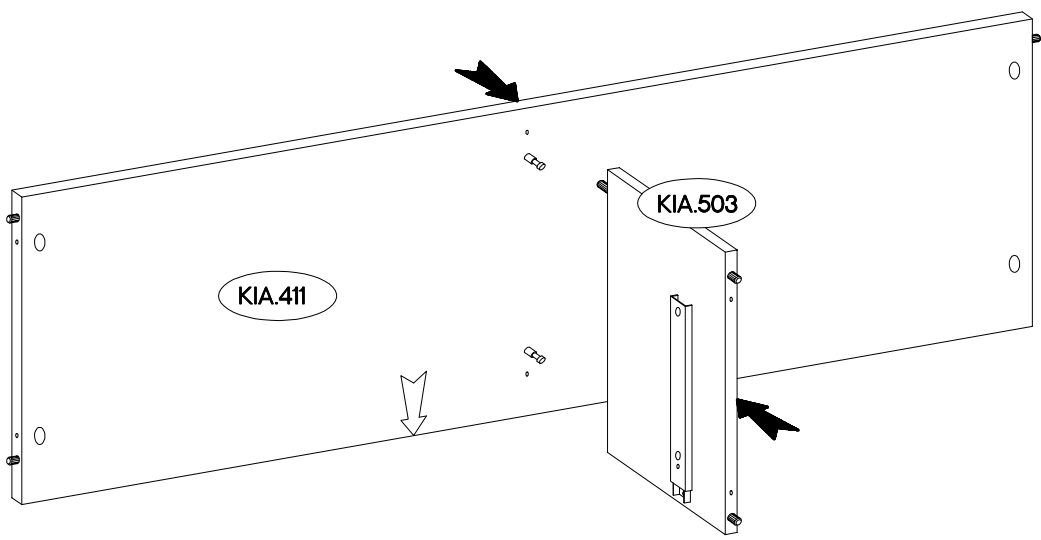
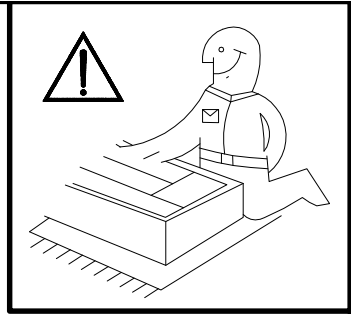
8



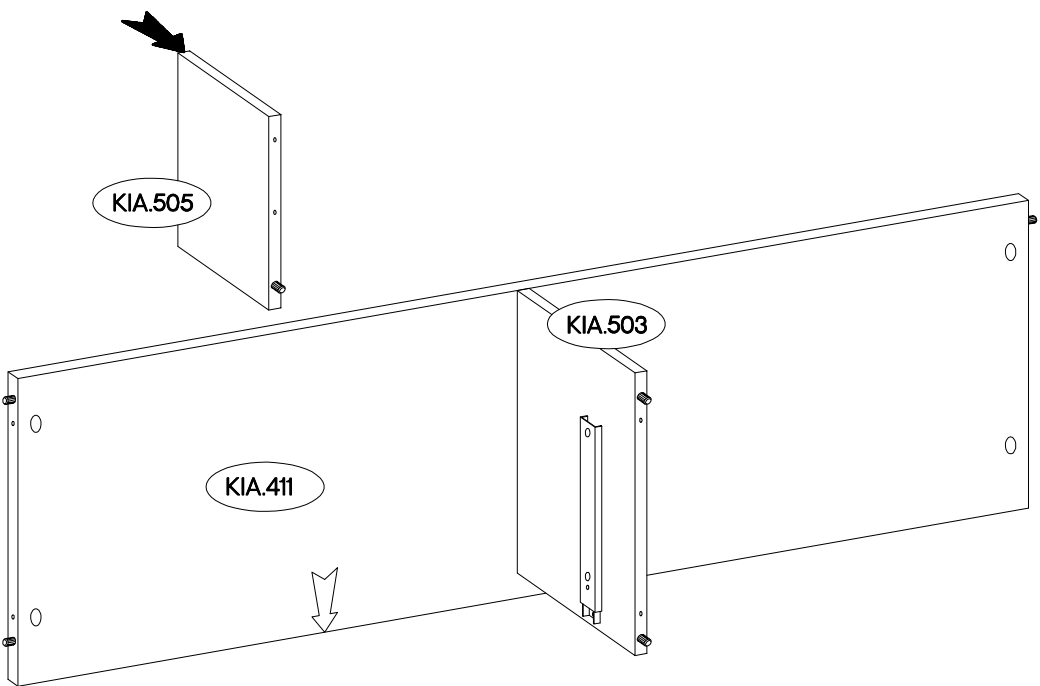
9



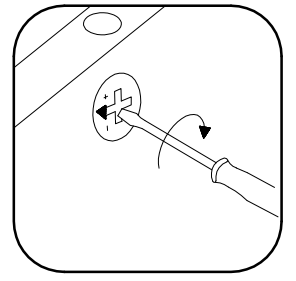
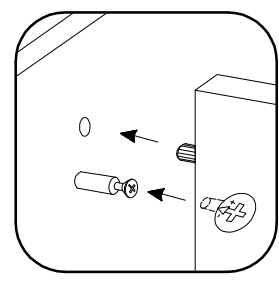
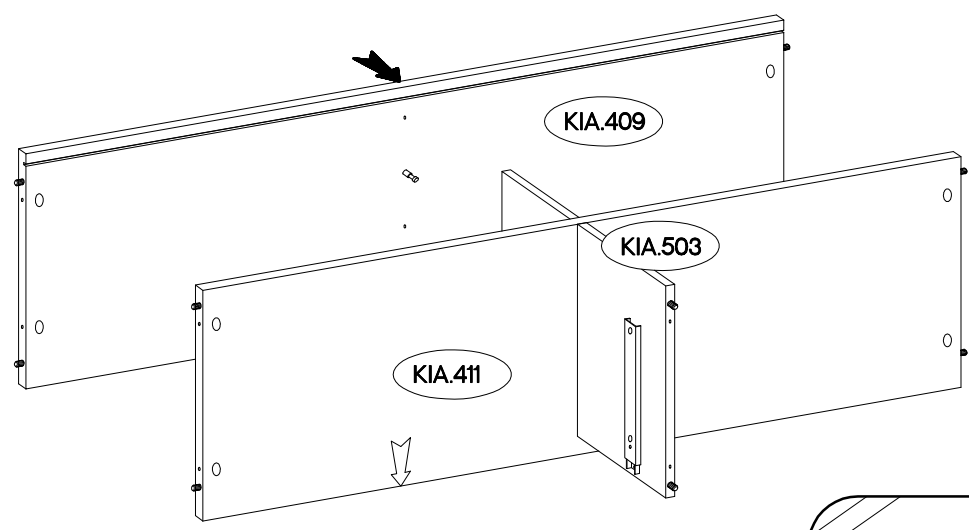
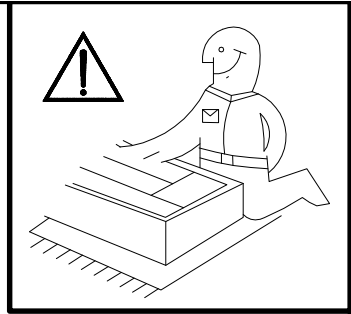
10



11

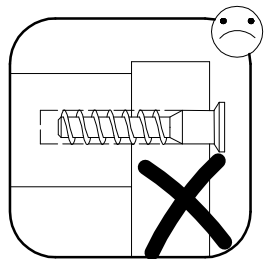
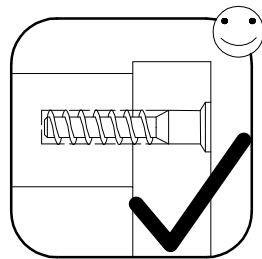
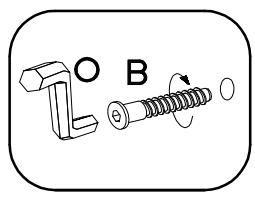
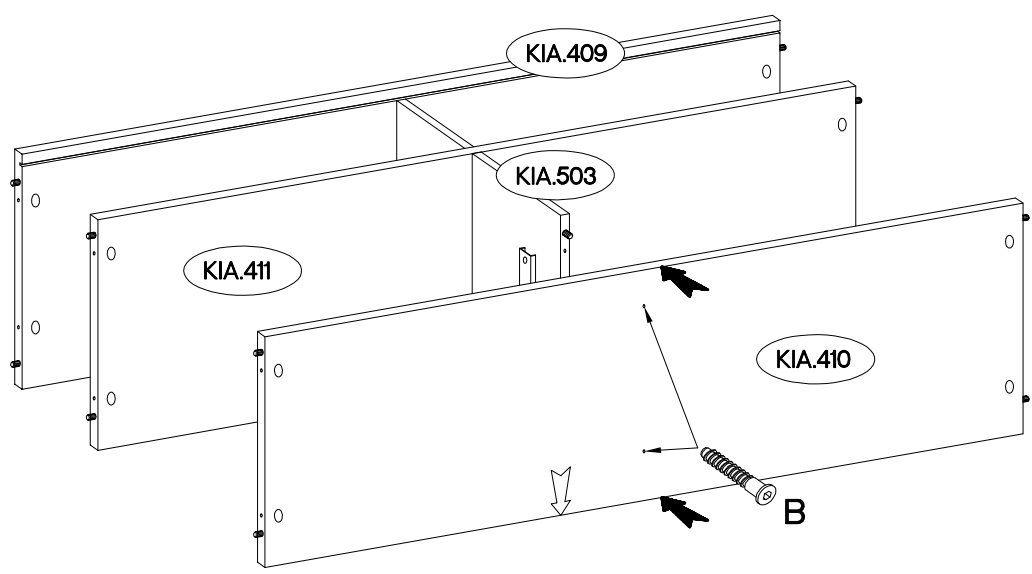
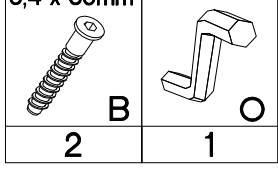


12

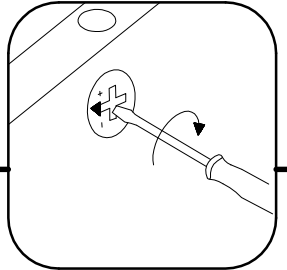
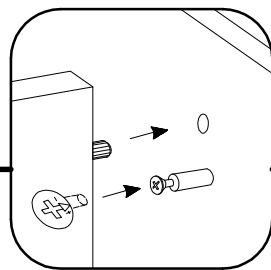
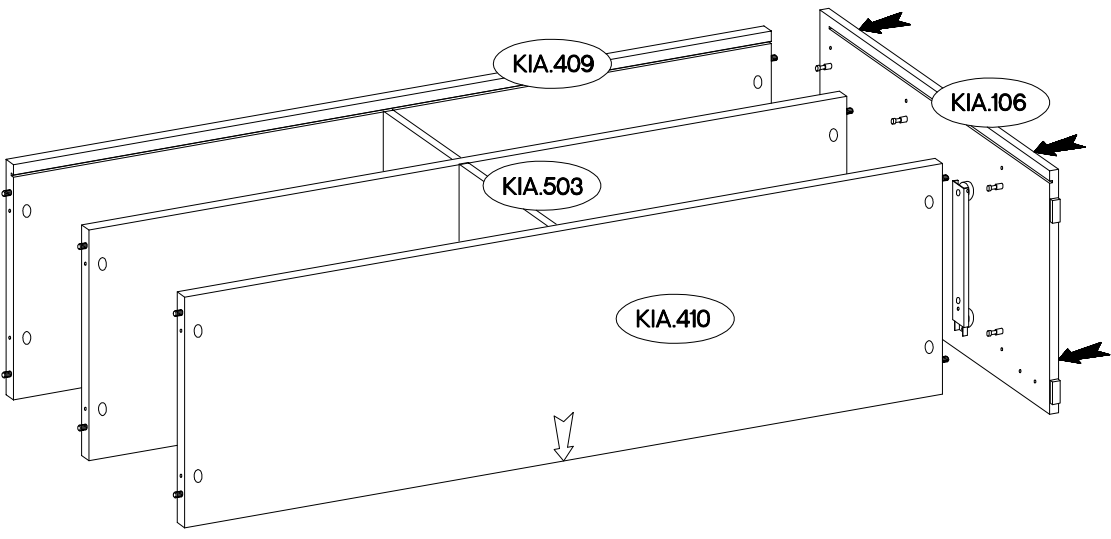
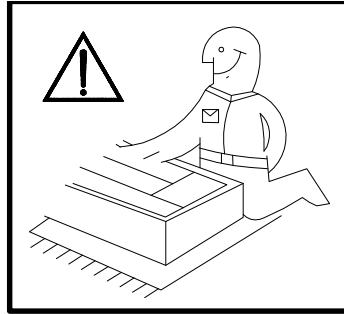


13

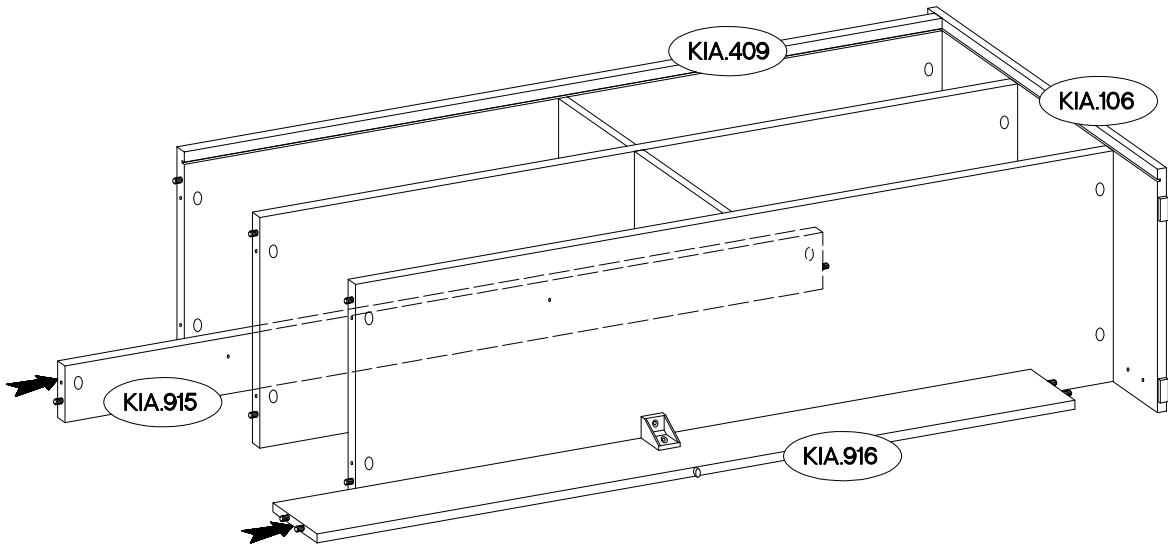
6,4 x 50mm



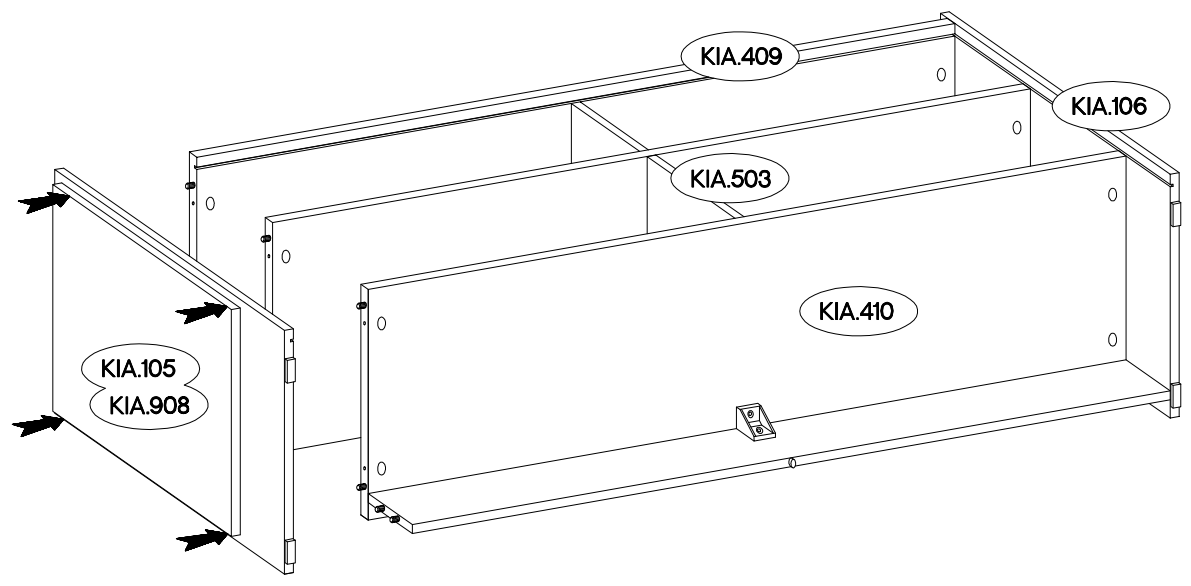
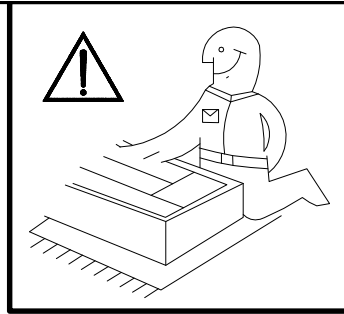
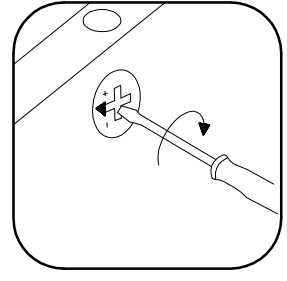
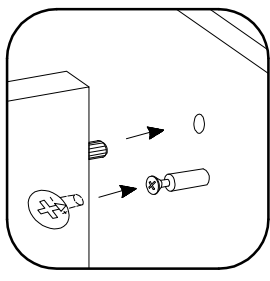
14



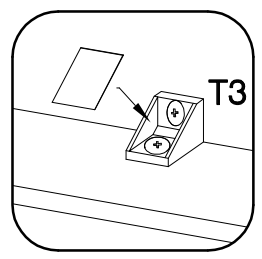
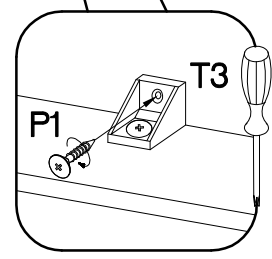
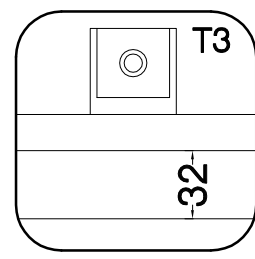
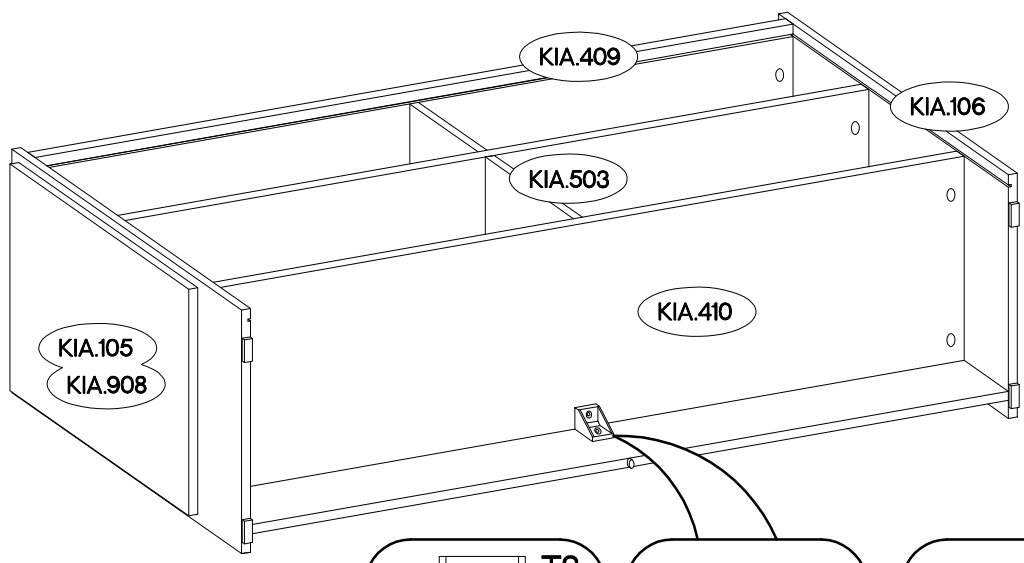
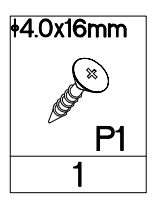
15


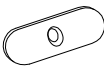
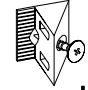


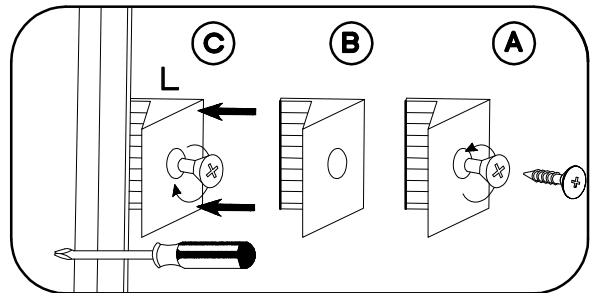
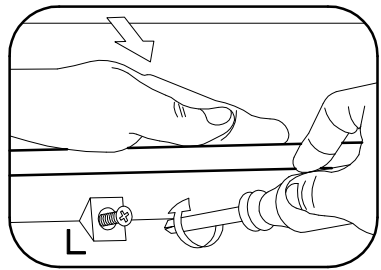
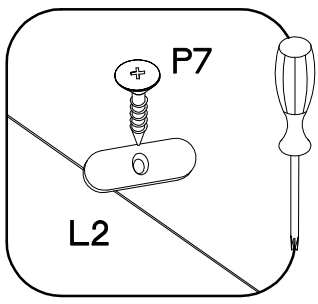
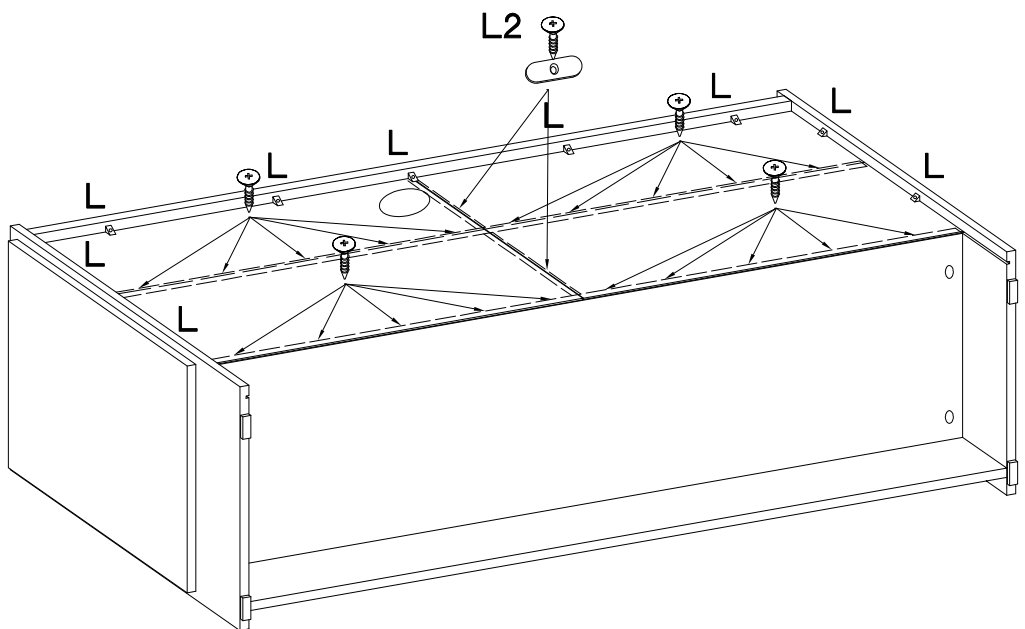
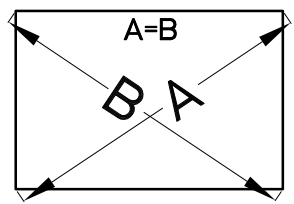
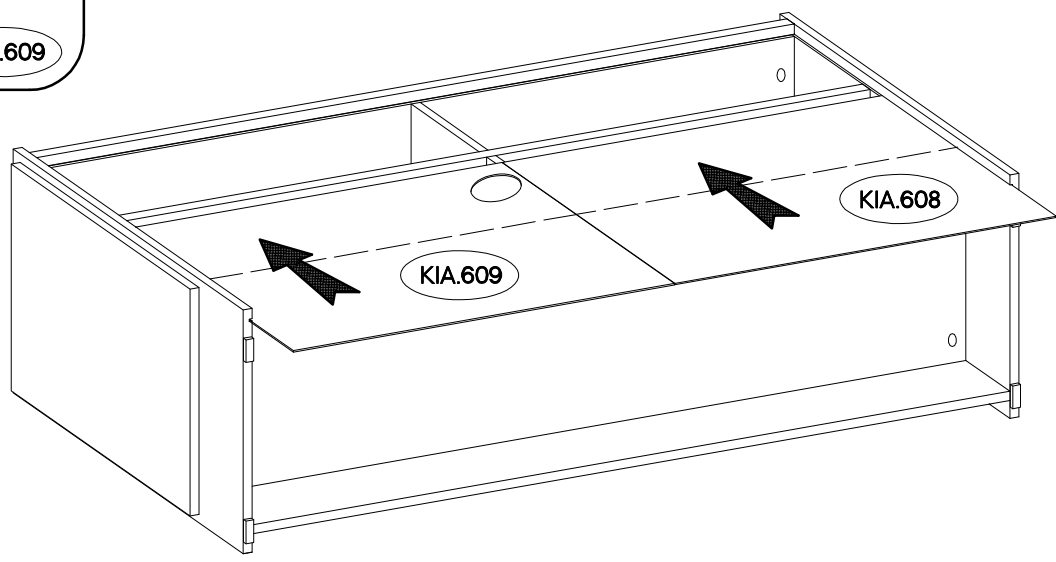
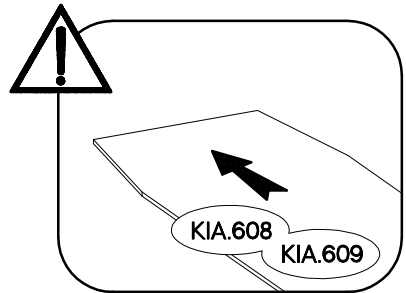
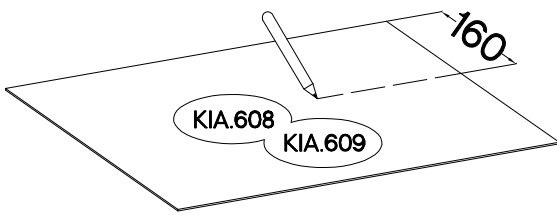
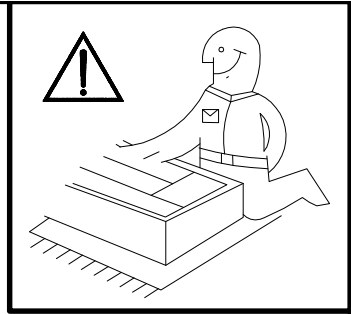
16




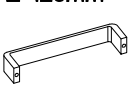




17



±3.0x20mm  P7 22	 L2 2	 L 9
---	---	--



+3.5x25mm BLACK  P25 2	cza.  E 10	art.  E 4	L=128mm  S 2	M4x22mm  U 4	M4x9mm  U1 4
--	---	--	---	---	---

