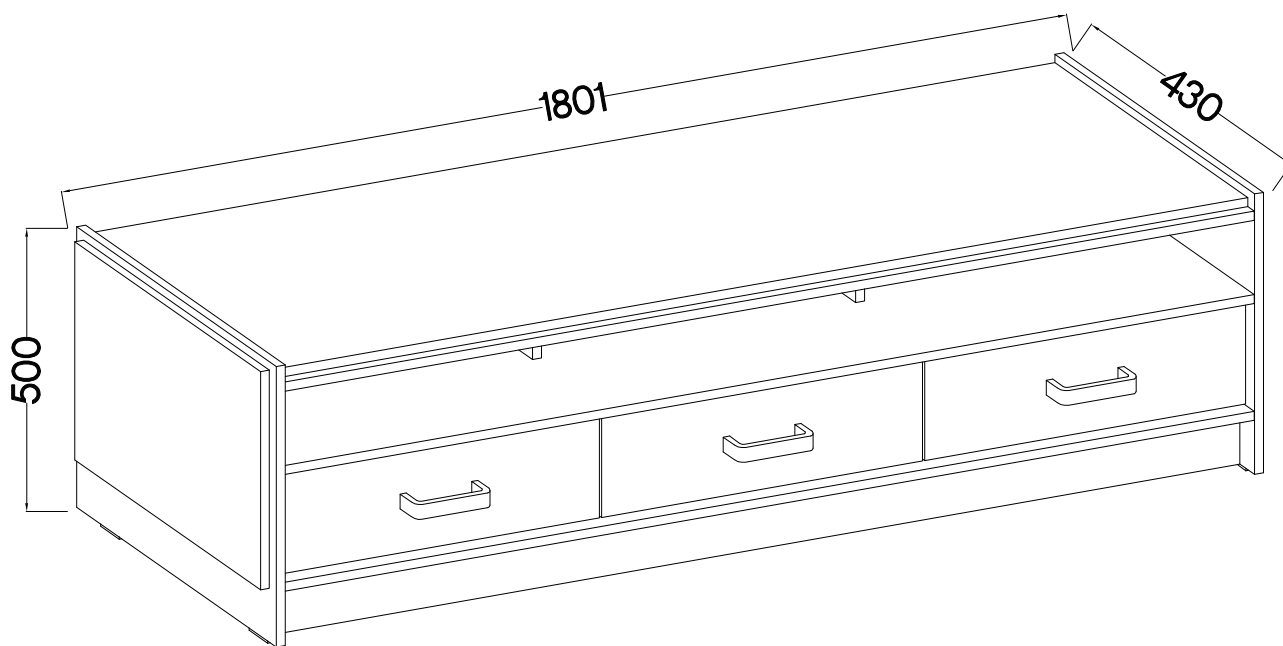
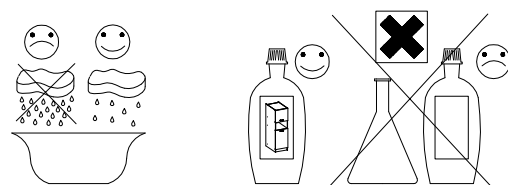


120 min

TYP 310



†8x30mm A	†8x60mm A2	†8x20mm A4	6,4 x 50mm B	†6x42mm B2
------------------	-------------------	-------------------	---------------------	-------------------

42 2 4 4 6

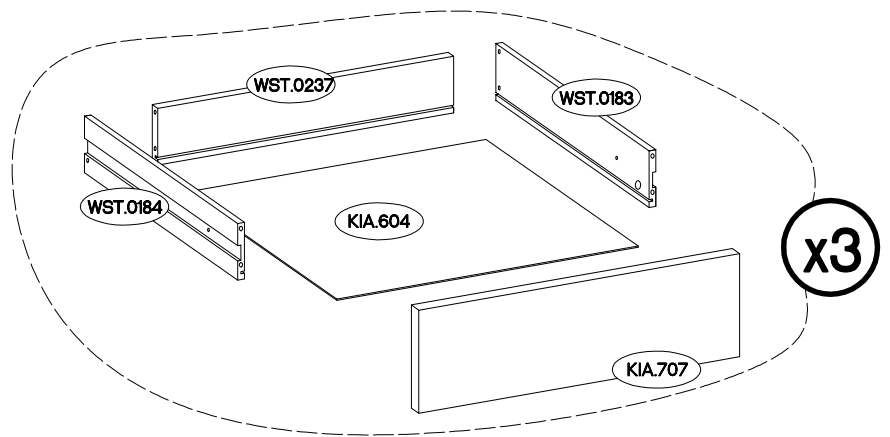
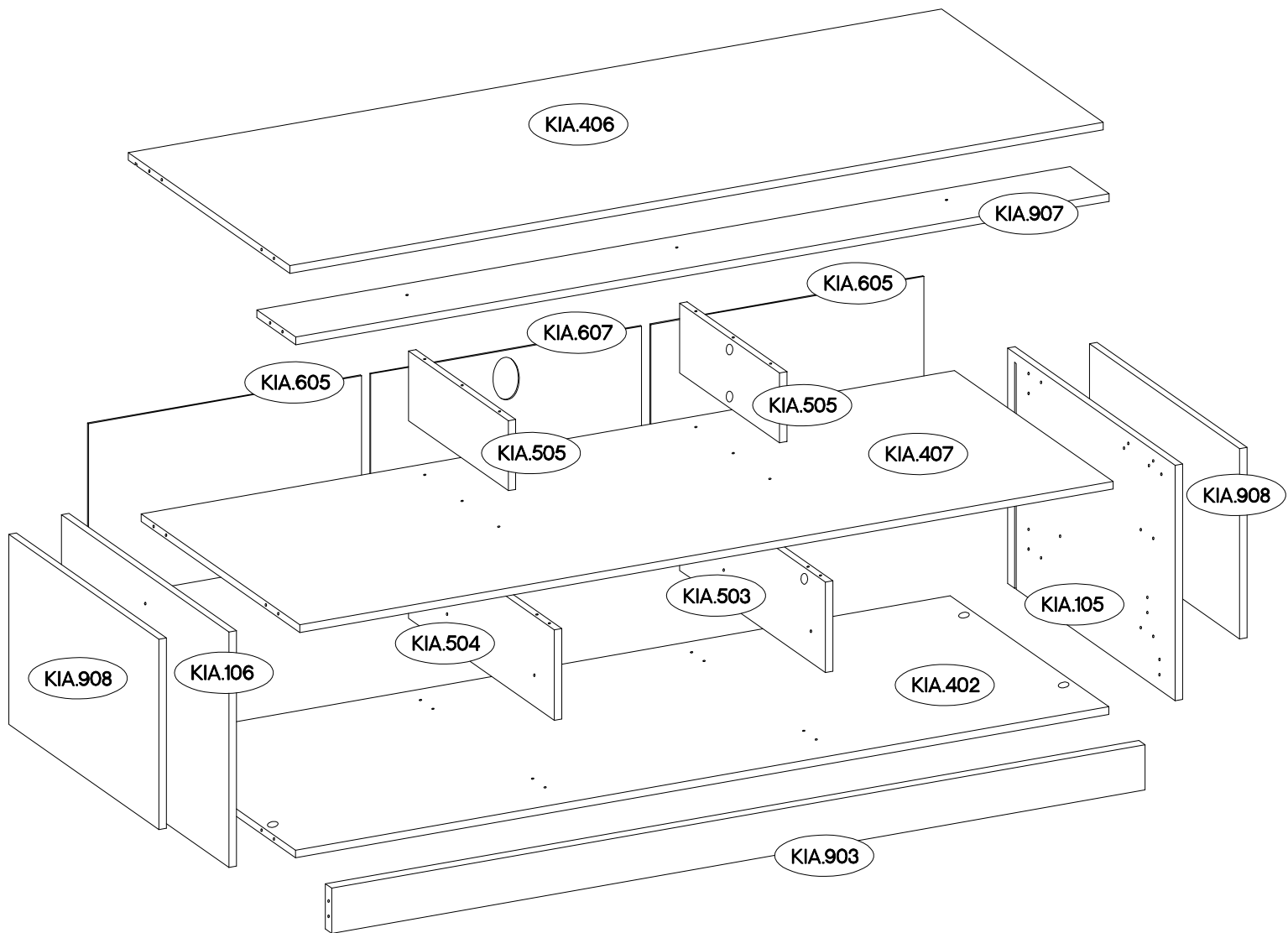
†15/12mm C	†12/10mm C5	L=20mm D2	 E cza.	 E art.	6.5x48x16 F2	†15x5mm F4	27/310mm I4	†20/8mm J14	 L	 L2
-------------------	--------------------	------------------	------------	------------	---------------------	-------------------	--------------------	--------------------	-------	--------

22 6 28 14 4 4 2 3 4 22 4

†6,3x13mm M2	†6.3x20mm M3	 O	 O1	†4.0x16mm P1	†3.0x20mm P7	†3.5x25mm BLACK P25	L=128mm S	 T3	M4x22mm U	M4x9mm U1
---------------------	---------------------	-------	--------	---------------------	---------------------	-------------------------------	------------------	--------	------------------	------------------

8 4 1 1 2 26 11 3 1 6 6

ISM-KIA-003




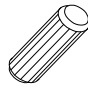

Colli	Ersatzteil Nummer	Dimension
1/2	KIA.105	495x430x16
	KIA.106	495x430x16
	KIA.503	190x374x16
	KIA.504	190x374x16
	KIA.505 x2	147x256x16
	KIA.603 x3	540x327x2,5
	KIA.605 x2	372x583x2,5
	KIA.607	372x578x2,5
	KIA.908 X2	385x400x16
	WST.0183 x3	330x100x12
	WST.0184 x3	330x100x12
WST.0237 x3	530x100x12	

Colli	Ersatzteil Nummer	Dimension
2/2	KIA.402	1737x407x16
	KIA.406	1737x415x16
	KIA.407	1737x407x16
	KIA.707 x3	575x182x16
	KIA.903	1737x95x16
	KIA.907	1737x100x16

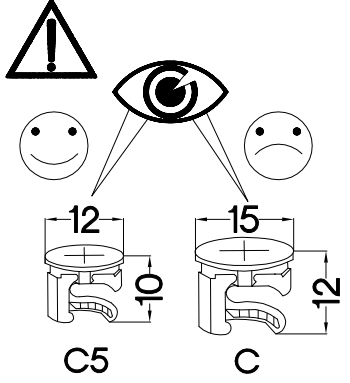
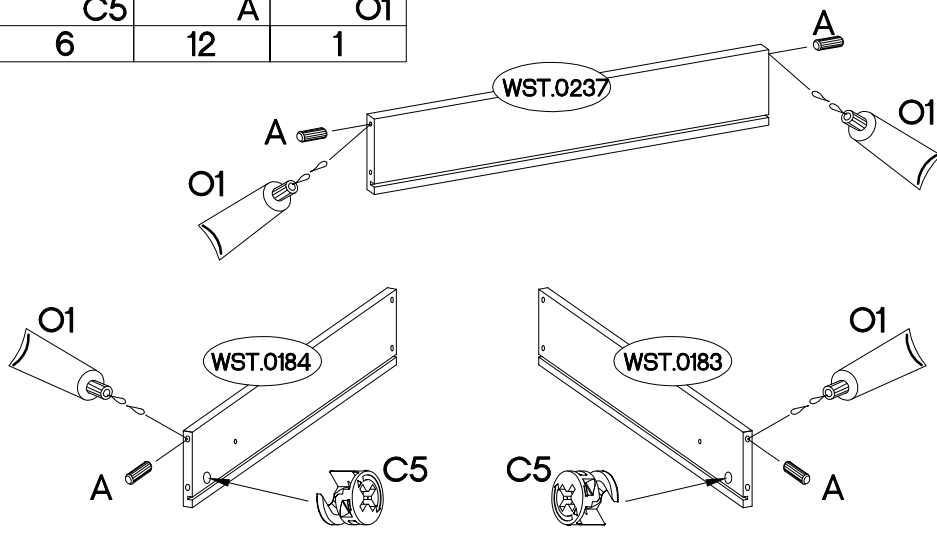
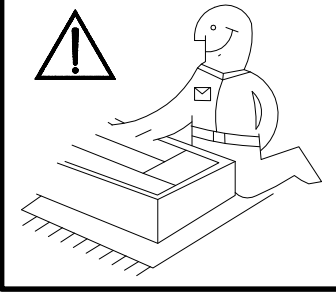


KIA.604

1



#12/10mm  C5 6	#8x30mm  A 12	 O1 1
---	--	---

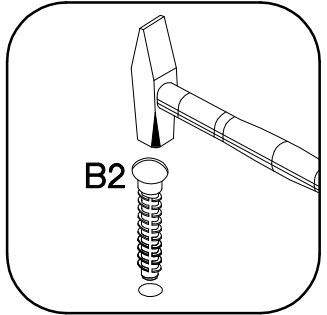
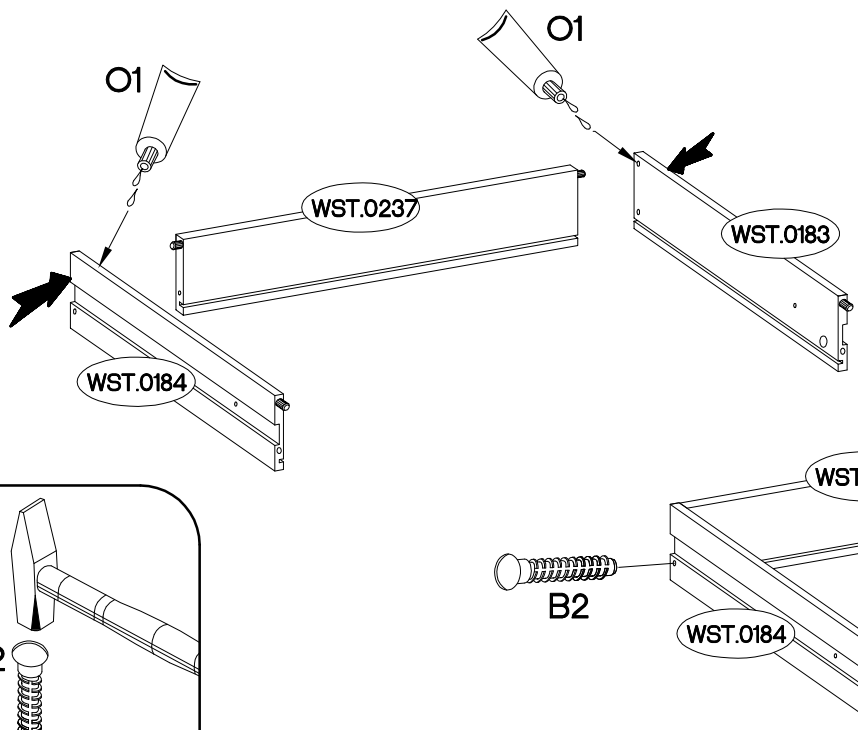
x3



2

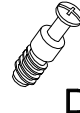
x3

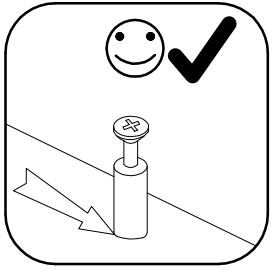
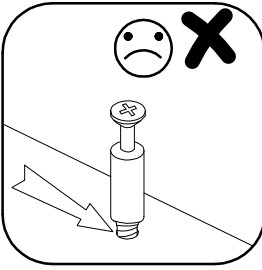
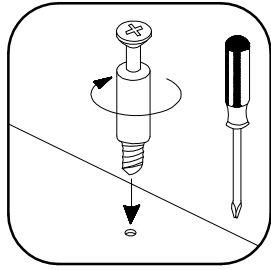
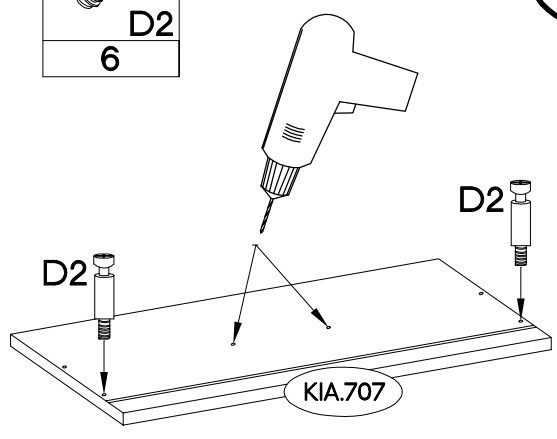
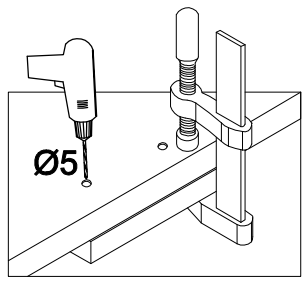
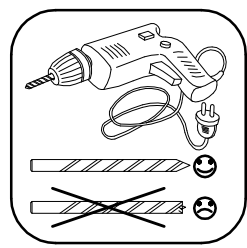
#6x42mm  B2 6	 O1 1
---	--



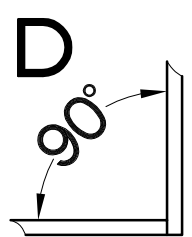
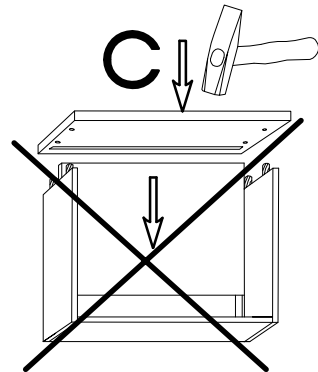
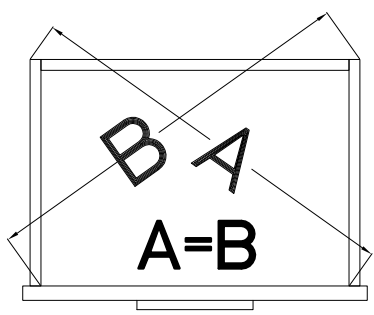
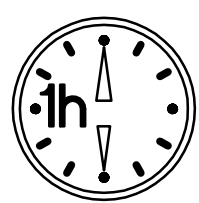
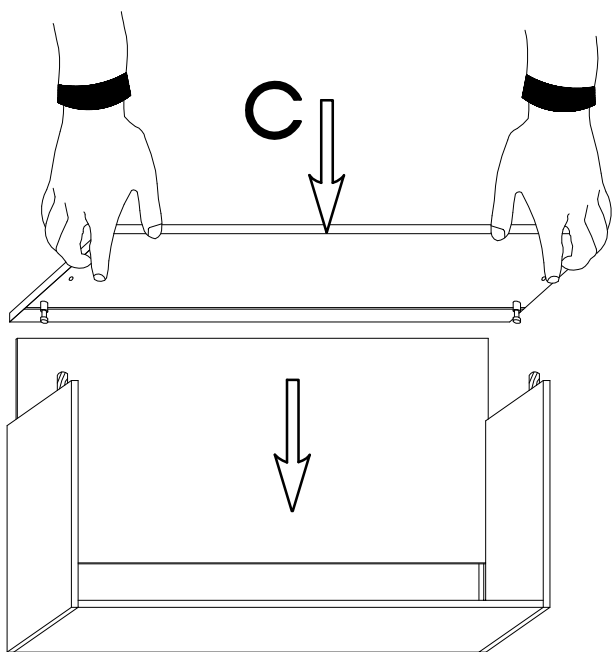
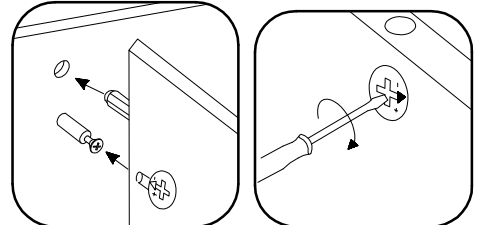
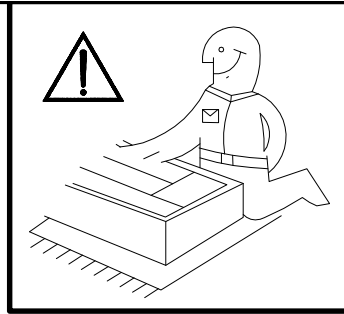
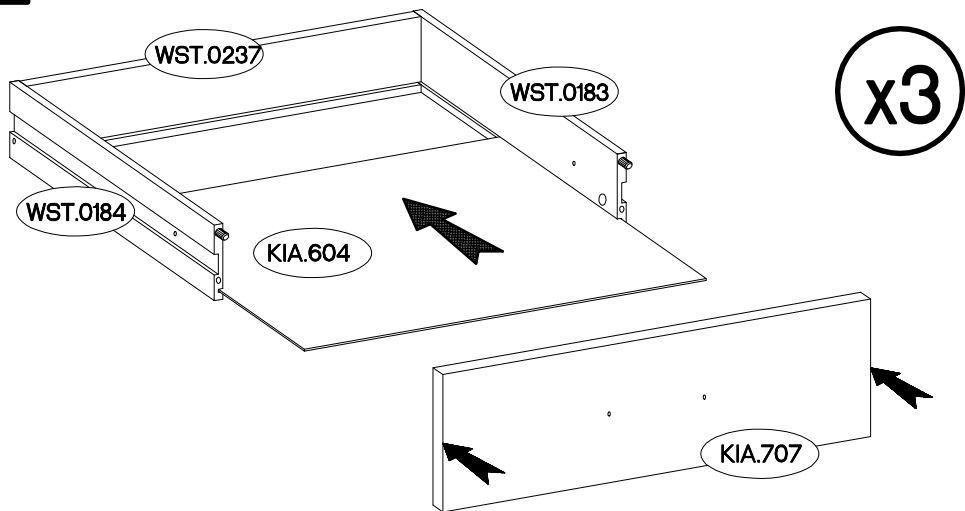
x3

3

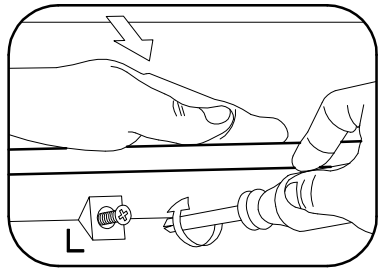
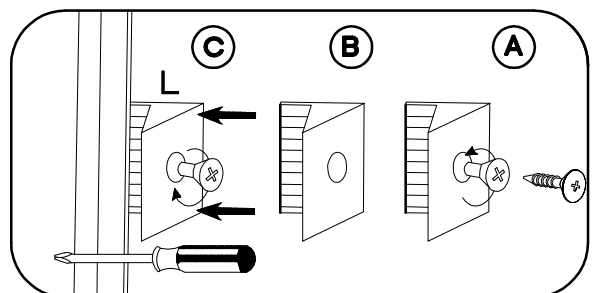
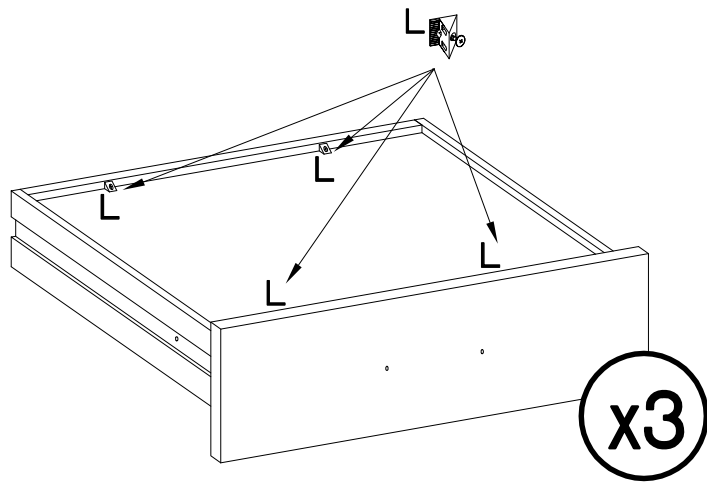
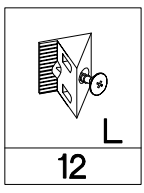
L=20mm  D2 6
--

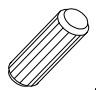
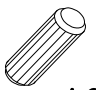


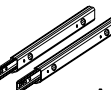


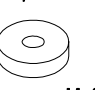
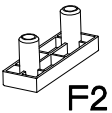


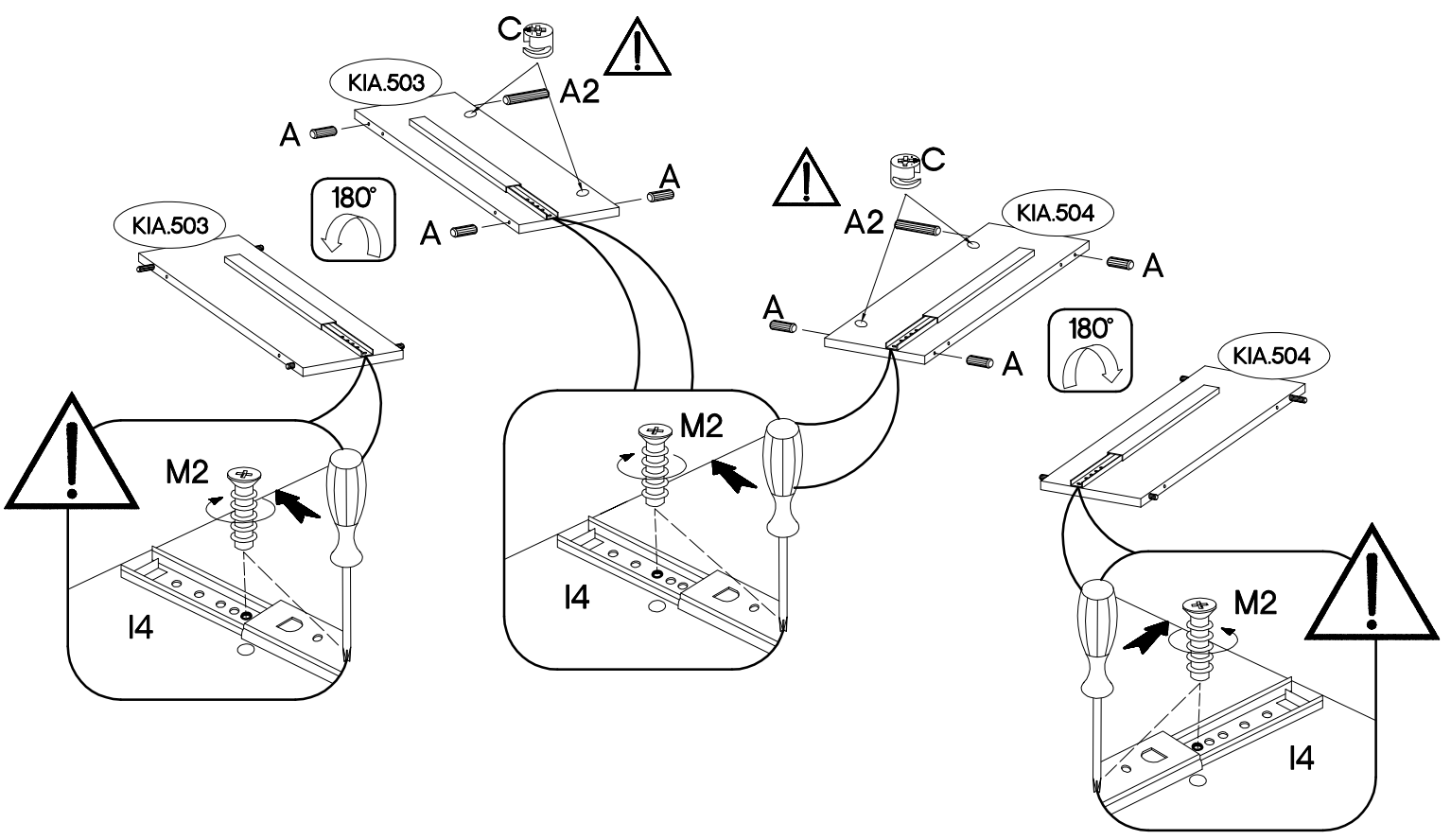
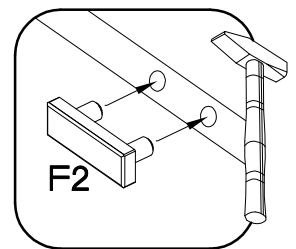
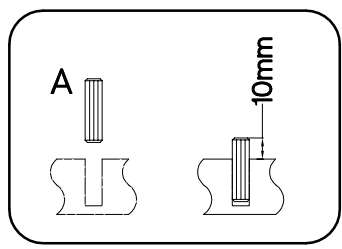
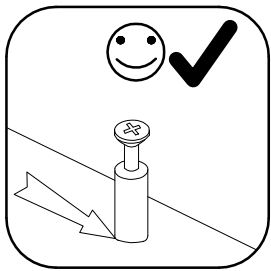
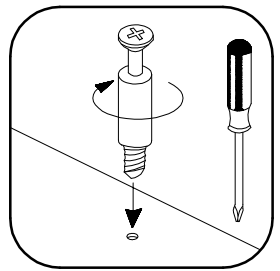
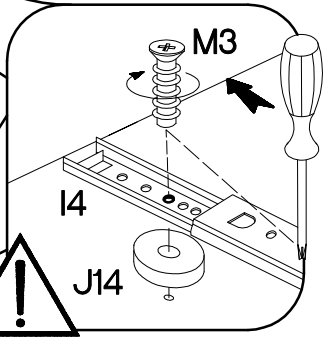
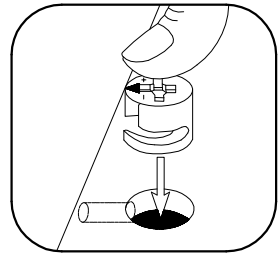
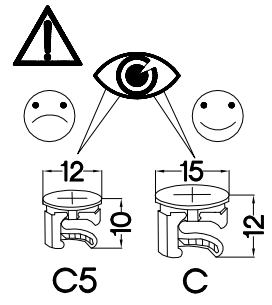
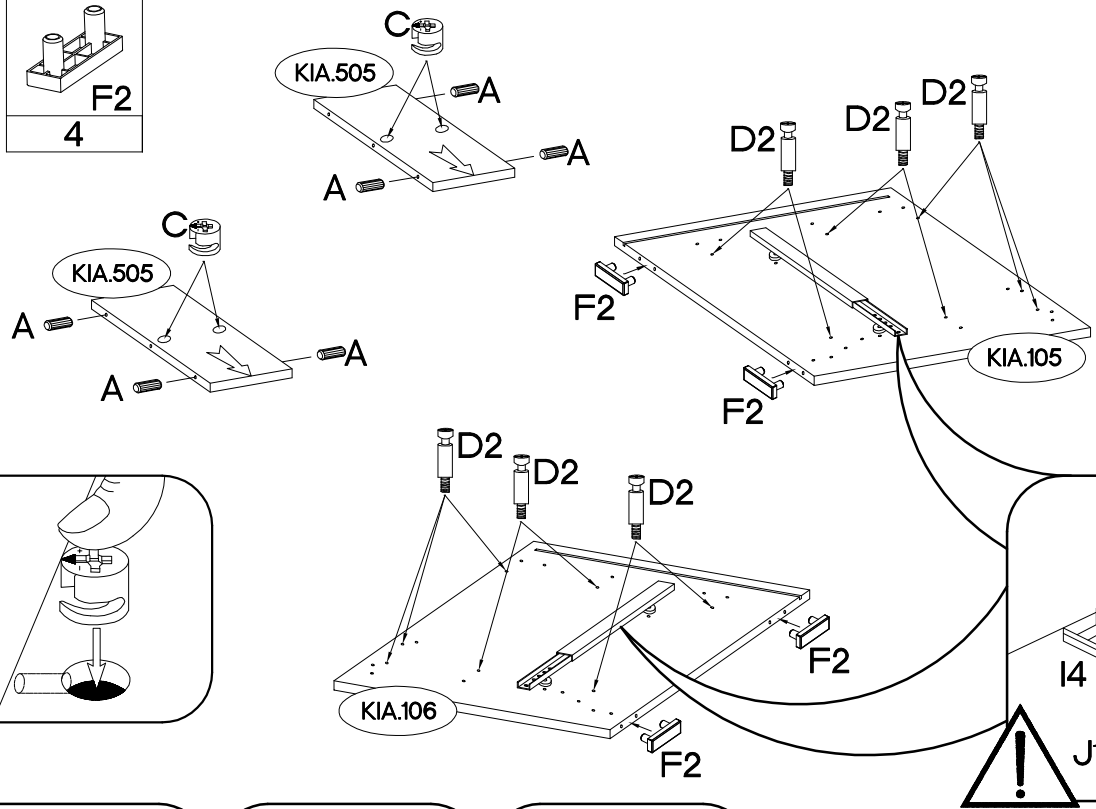
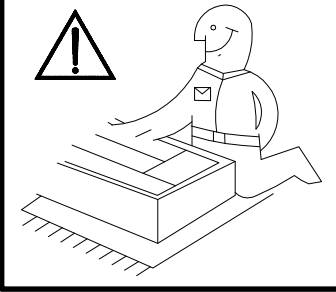
4

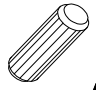
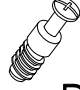






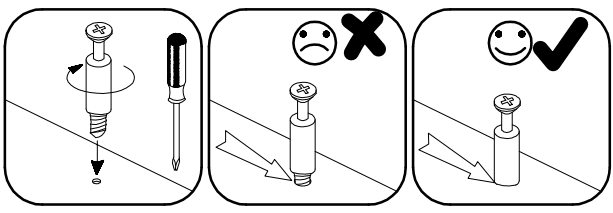
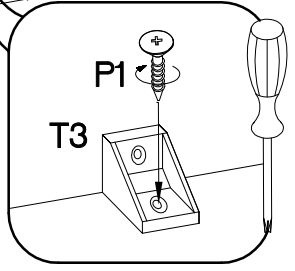
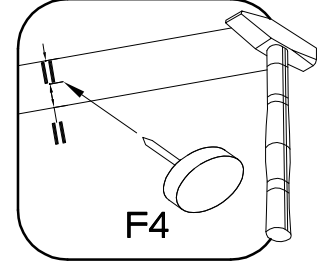
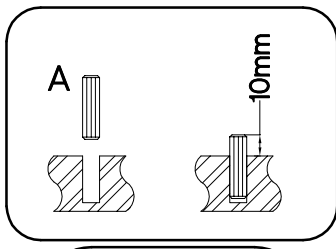
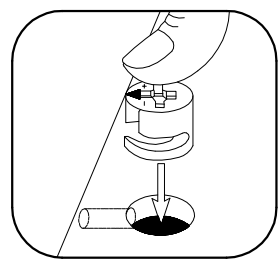
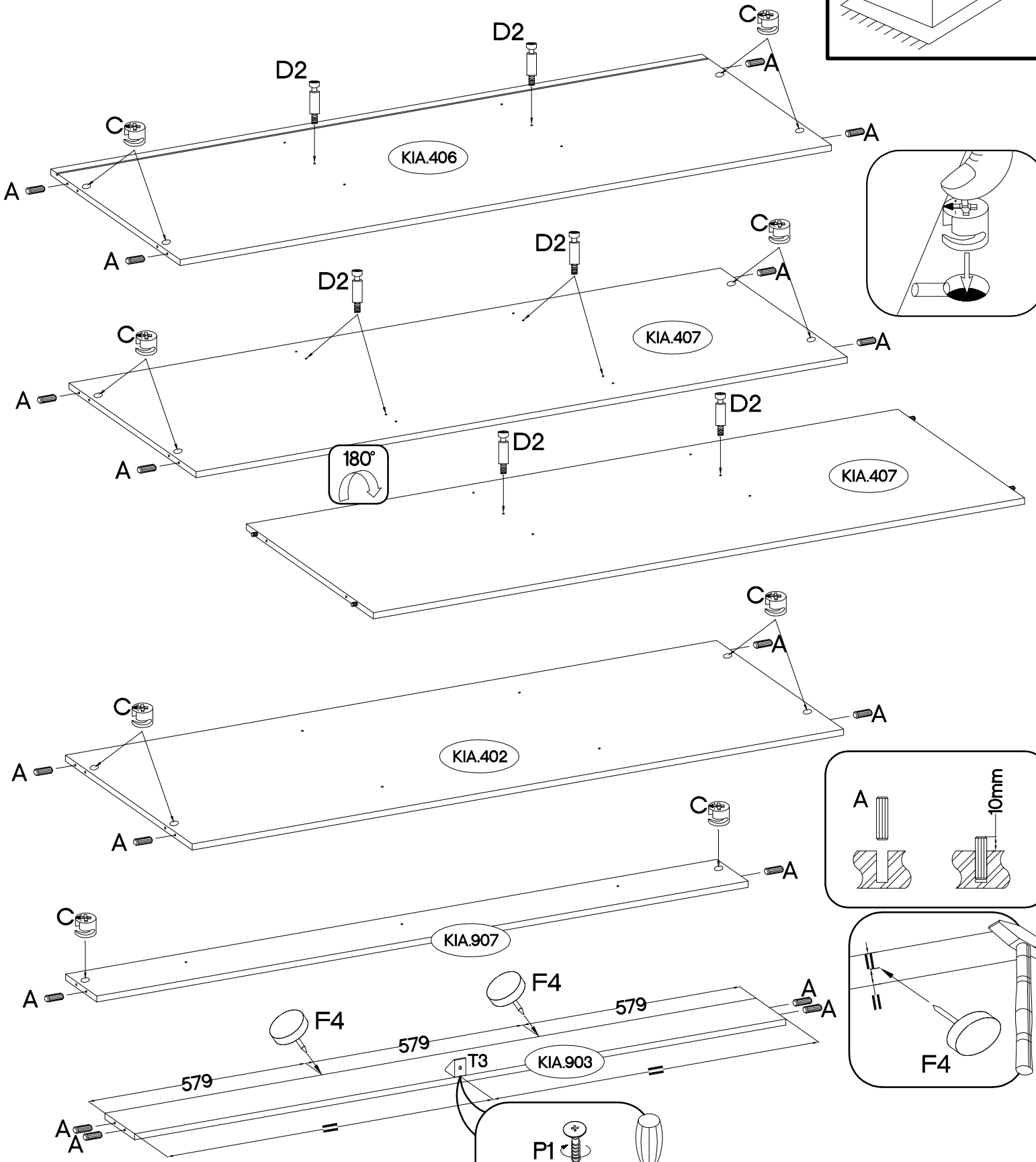
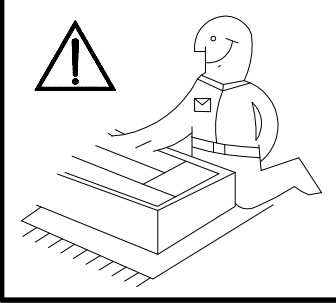
5



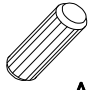
$\pm 8 \times 30 \text{mm}$  A 12	$\pm 8 \times 60 \text{mm}$  A2 2	$L=20 \text{mm}$  D2 14	$\pm 15/12 \text{mm}$  C 8	$27/310 \text{mm}$  I4 3	$\pm 6.3 \times 13 \text{mm}$  M2 8	$\pm 6.3 \times 20 \text{mm}$  M3 4	$\pm 20/8 \text{mm}$  J14 4
$6.5 \times 48 \times 16$  F2 4							

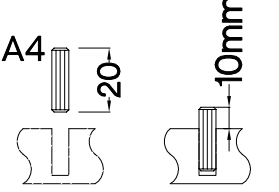


+8x30mm  A	L=20mm  D2	+15/12mm  C	 T3	+4.0x16mm  P1	+15x5mm  F4
18	8	14	1	1	2

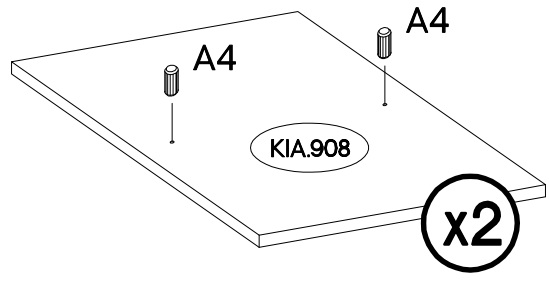
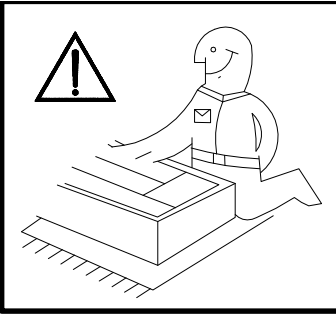


8


±8x20mm

 A4
 4

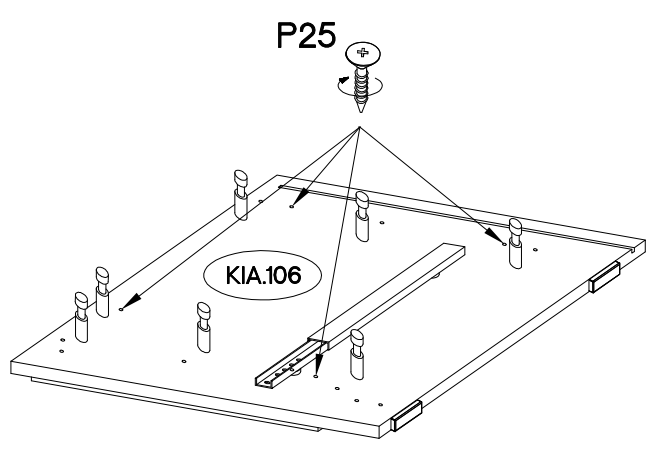
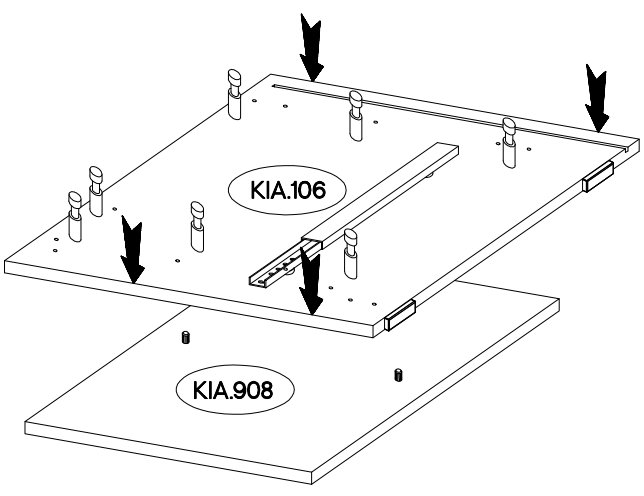
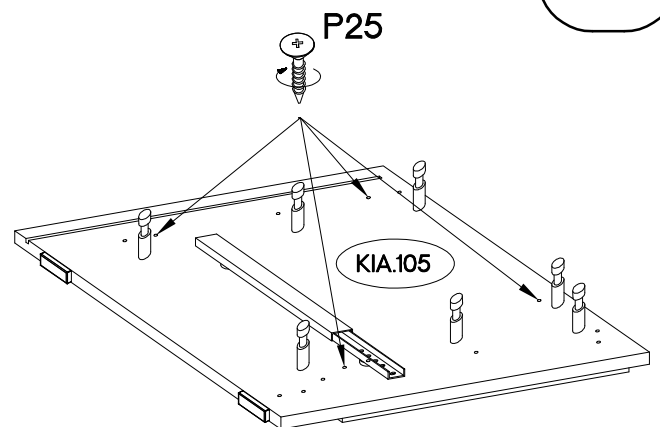
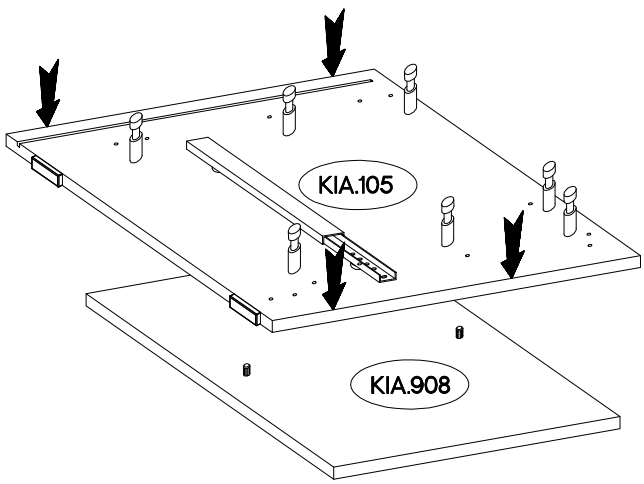
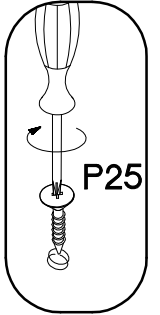


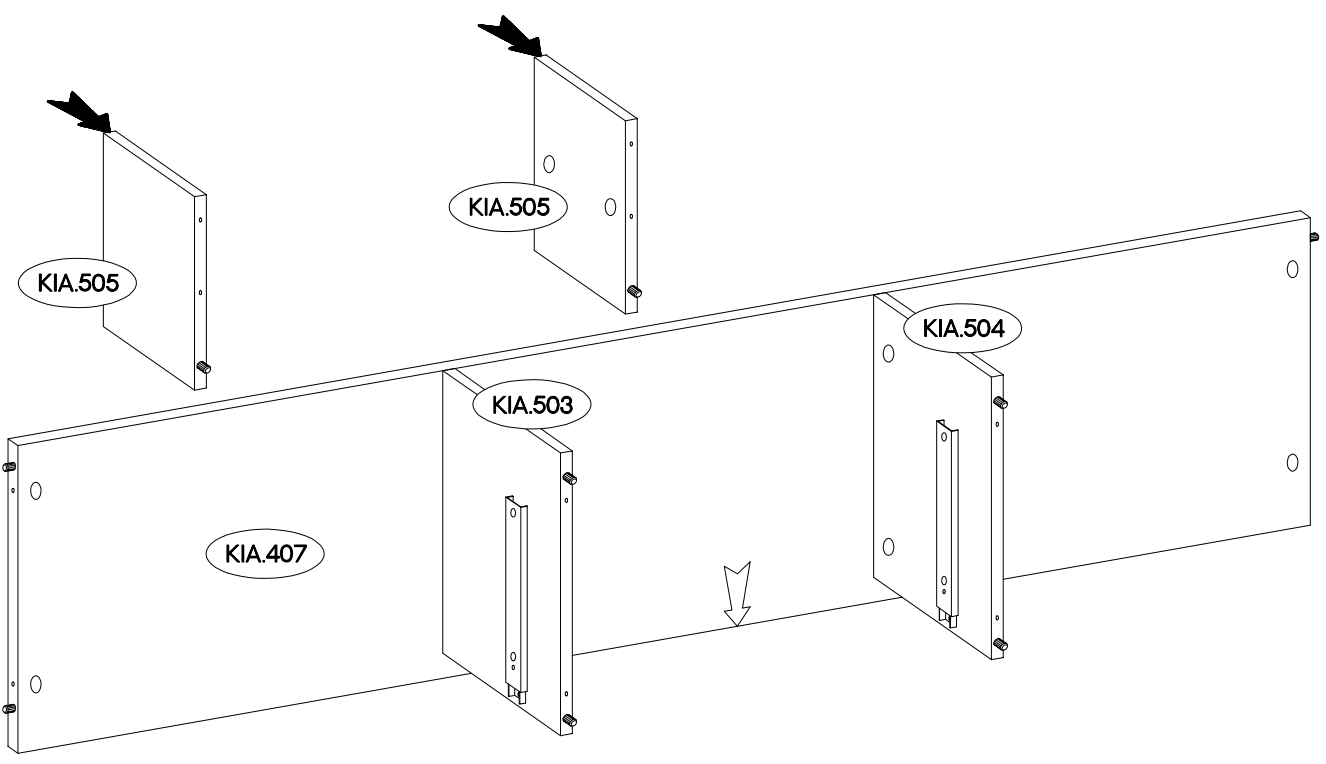
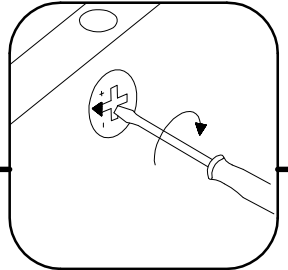
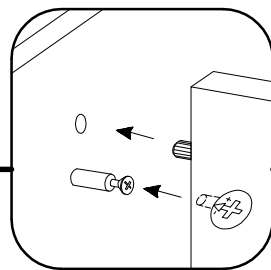
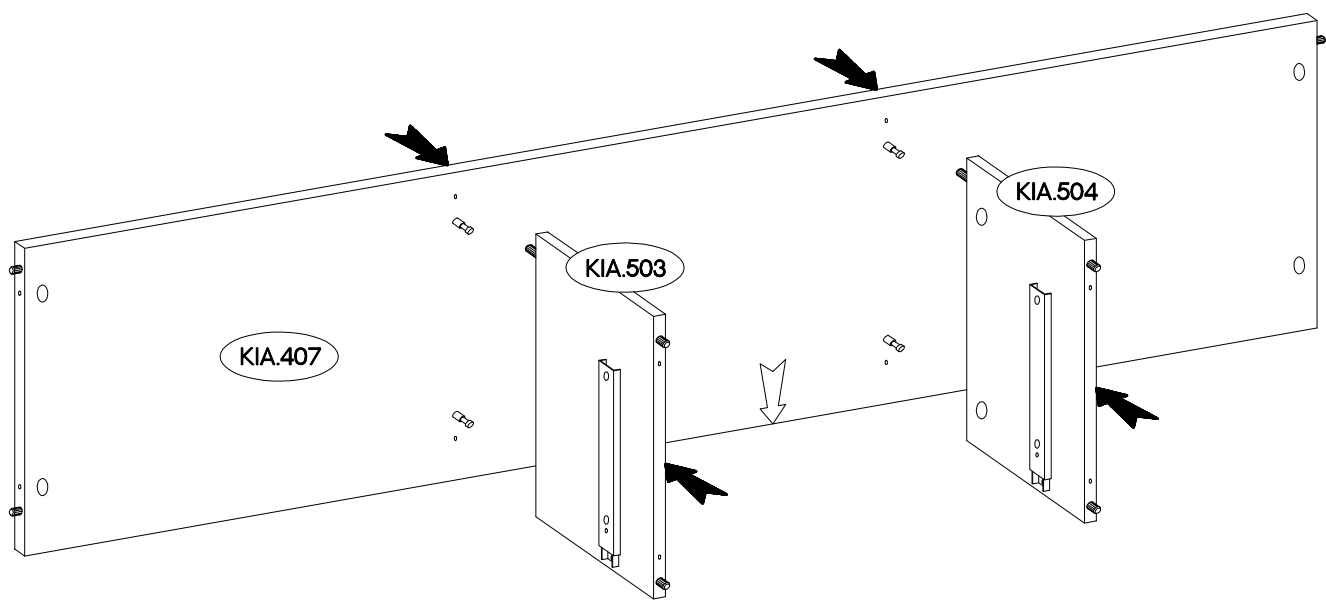
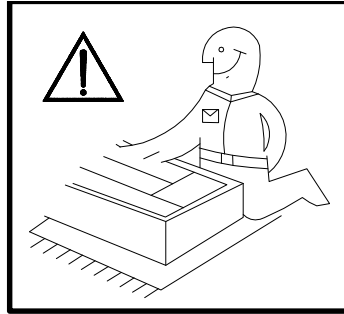
A4
 20
 10mm



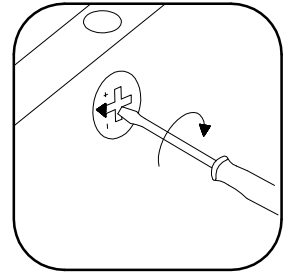
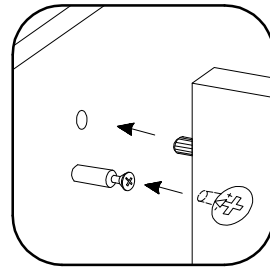
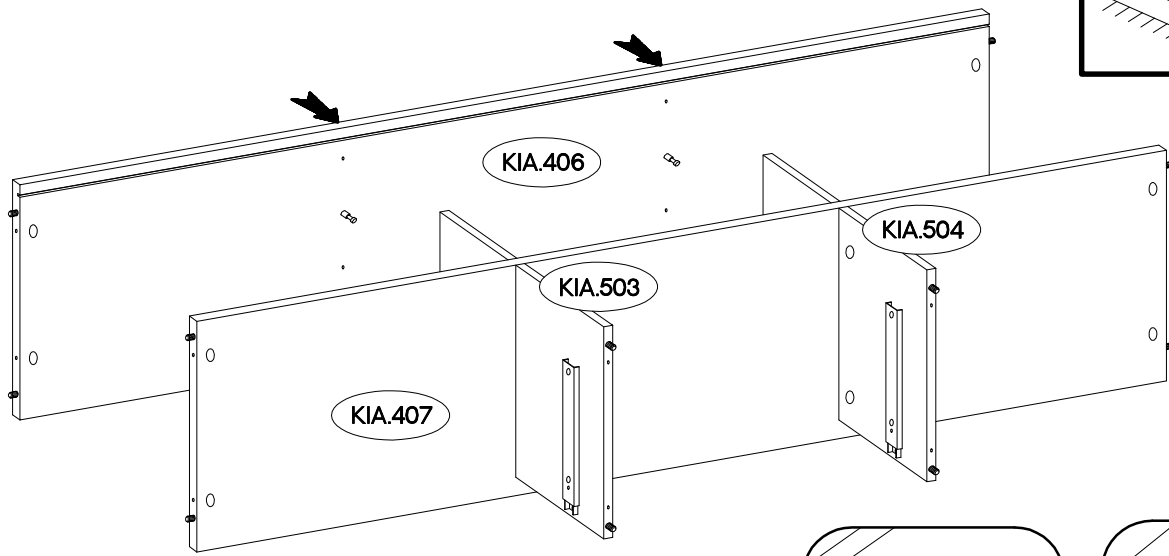
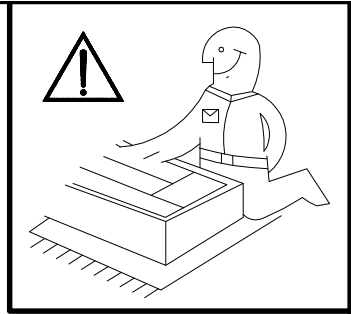
9

±3.5x25mm
 BLACK

 P25
 8



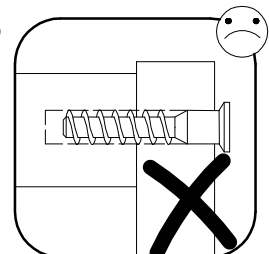
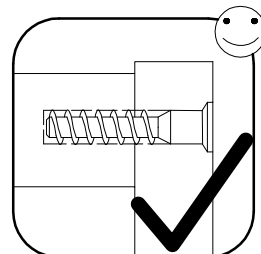
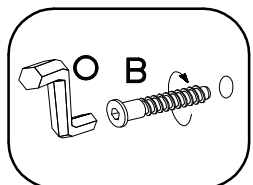
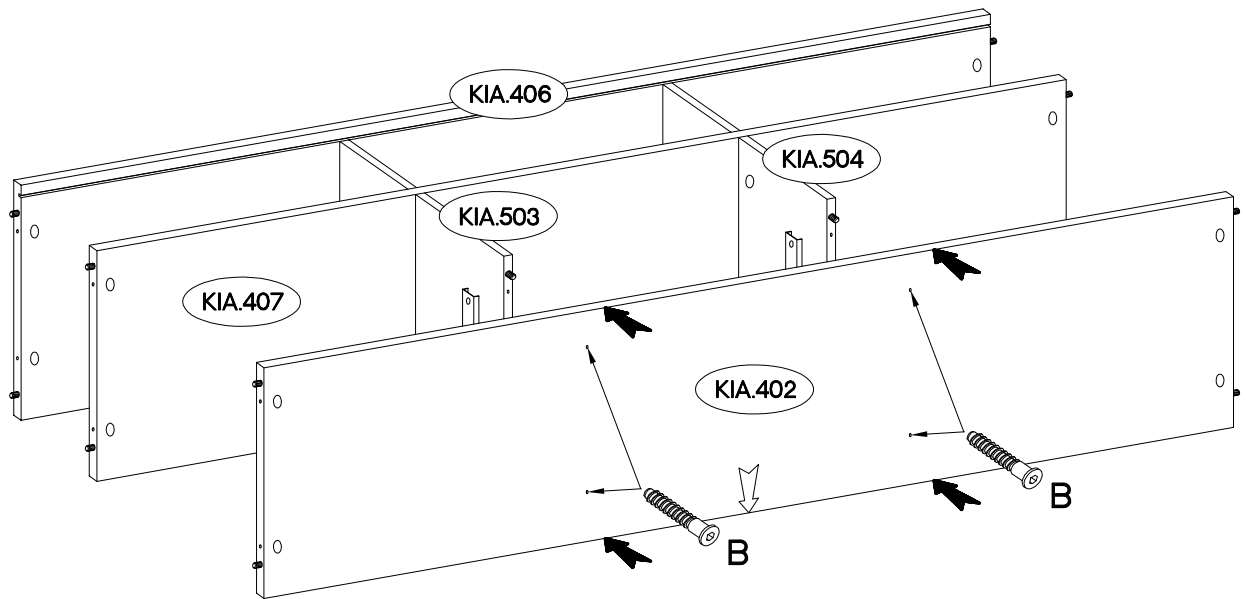
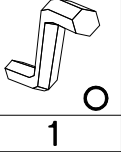
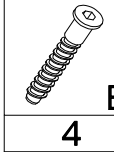


12

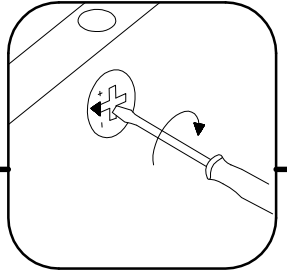
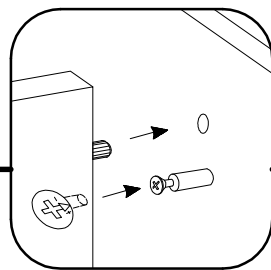
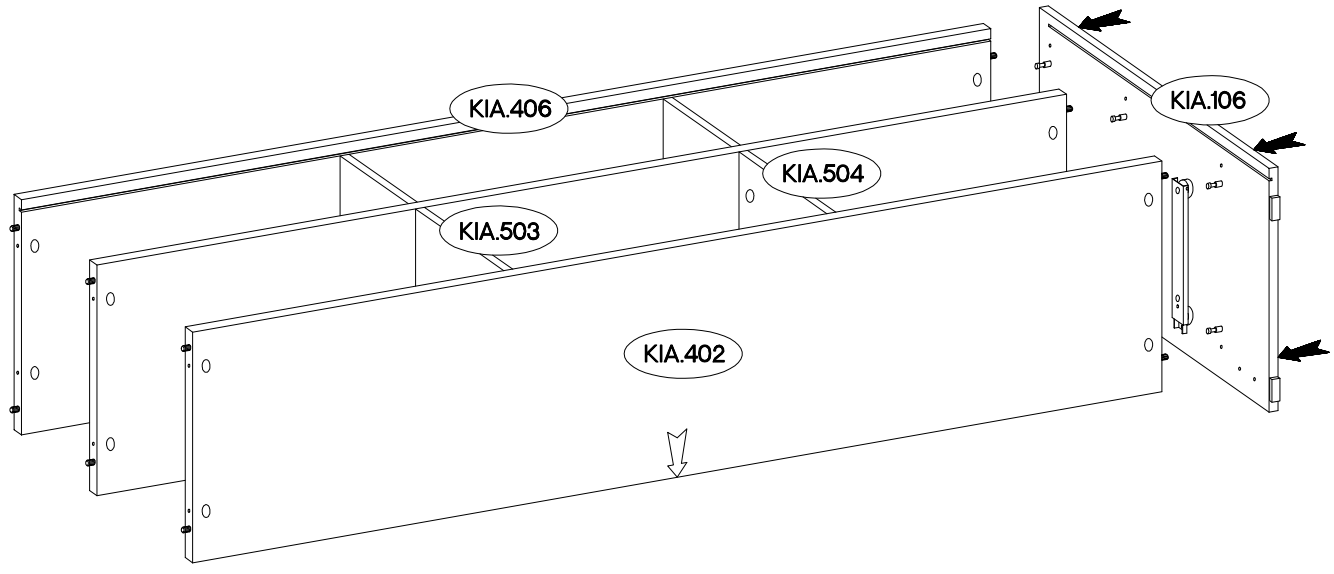
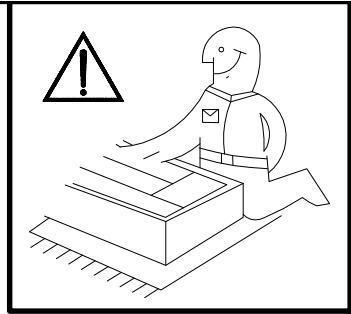


13

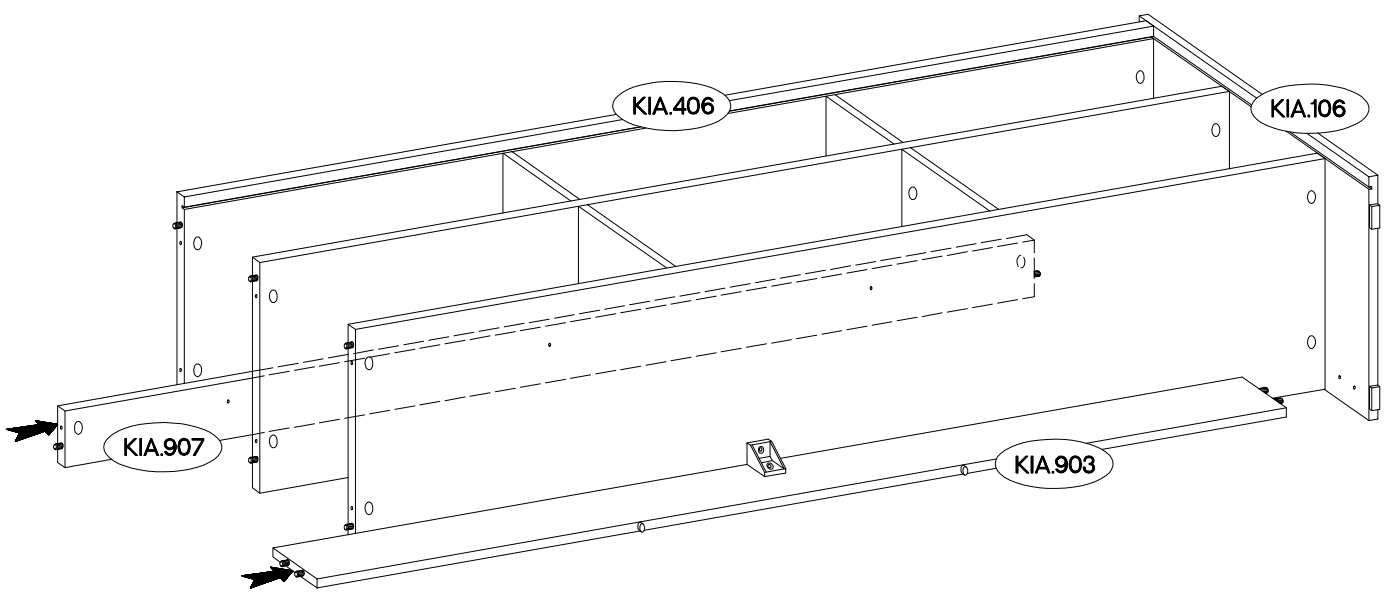
6,4 x 50mm



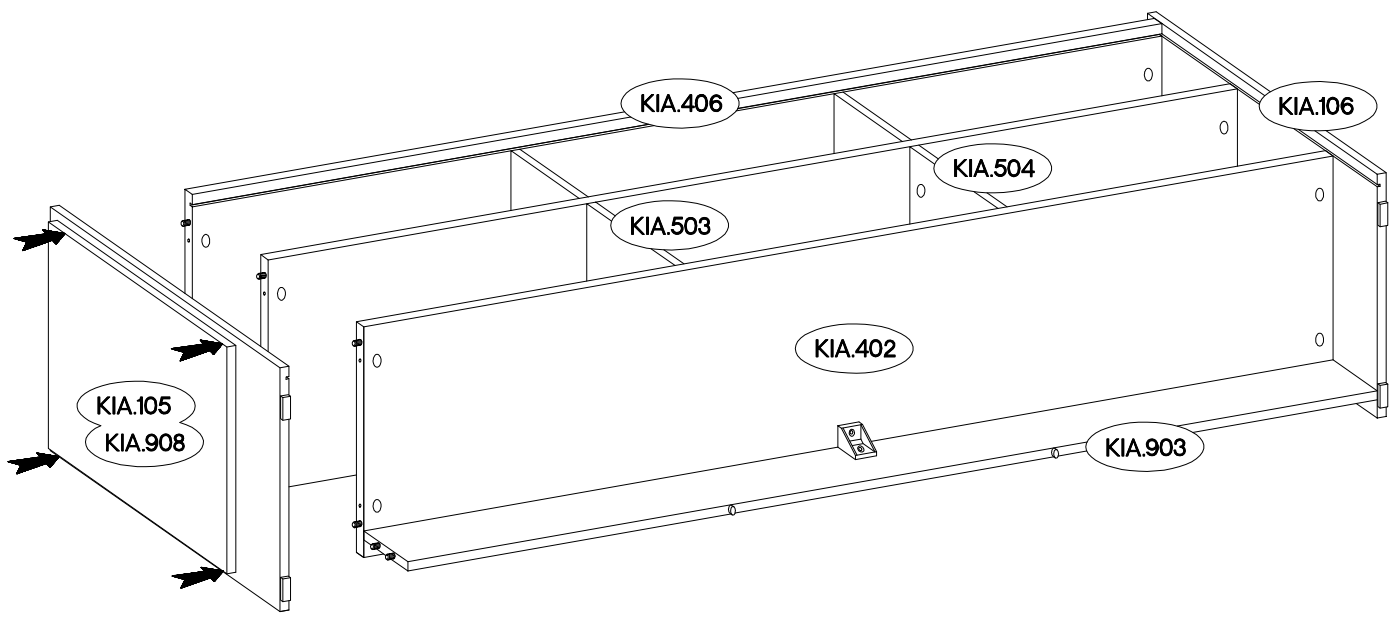
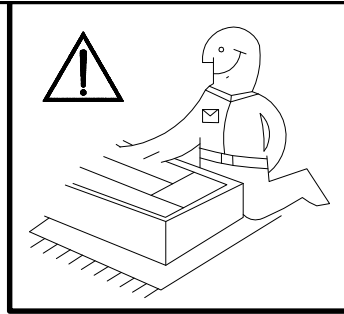
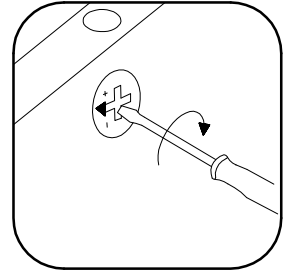
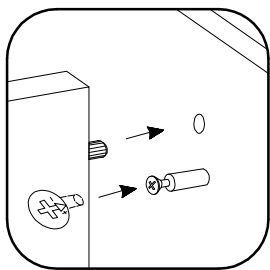
14




15

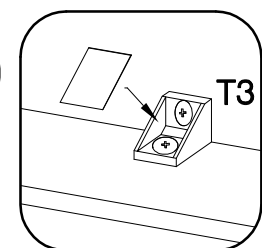
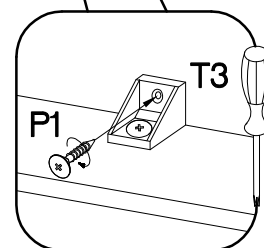
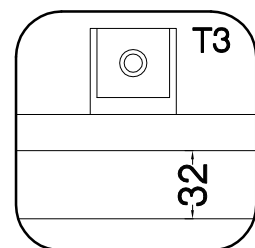
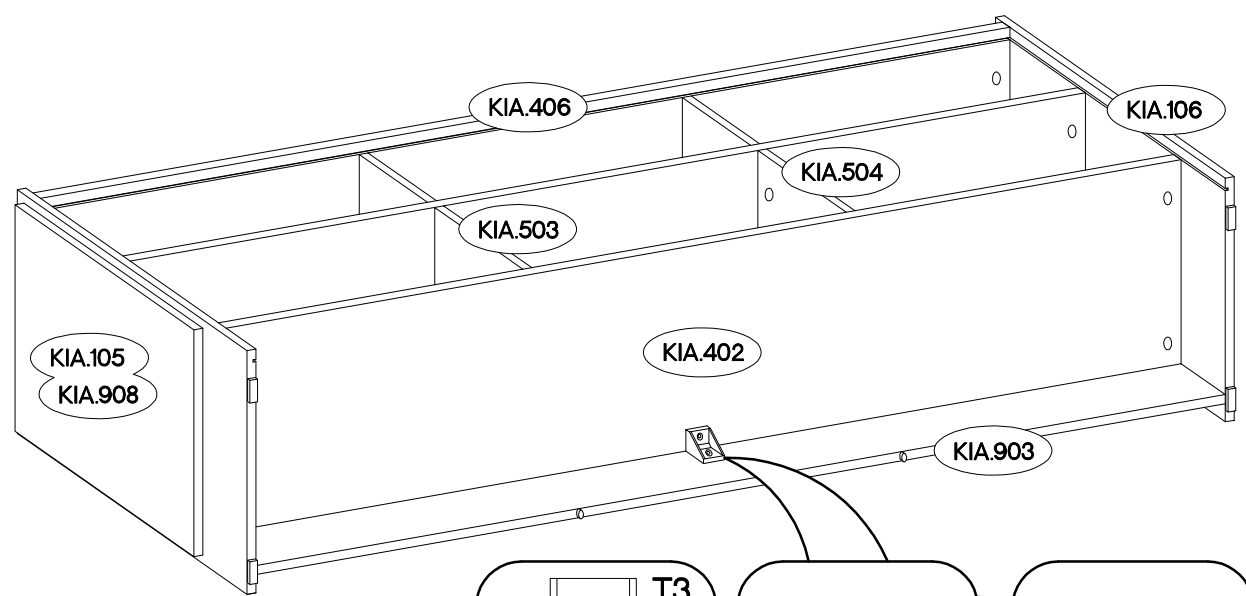



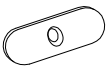
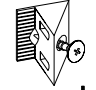
16

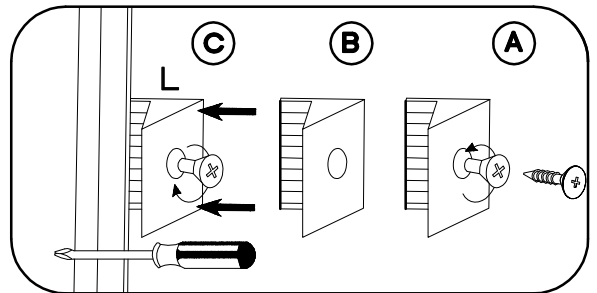
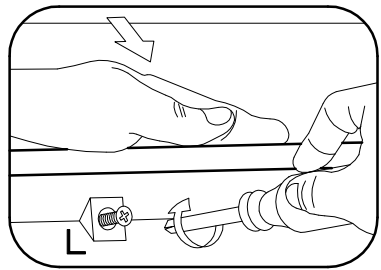
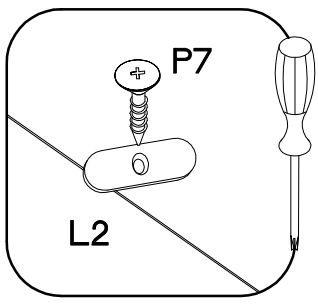
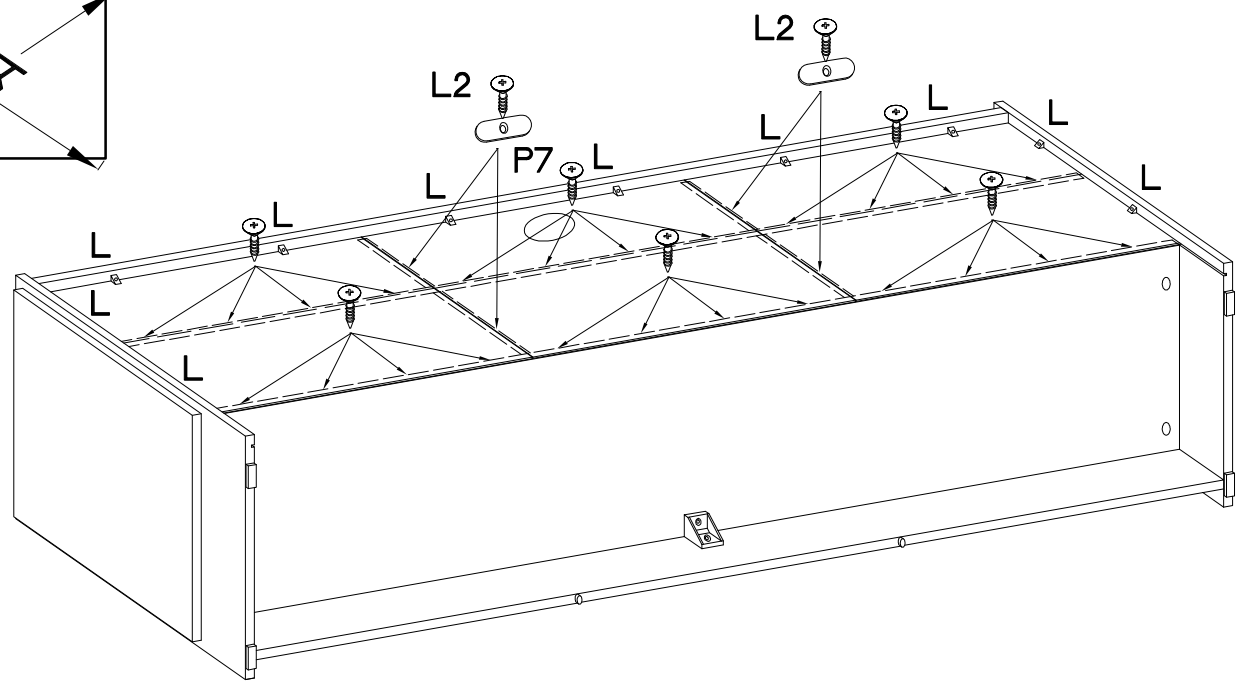
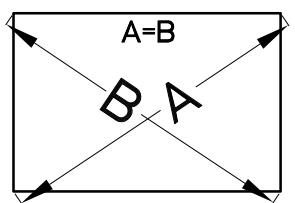
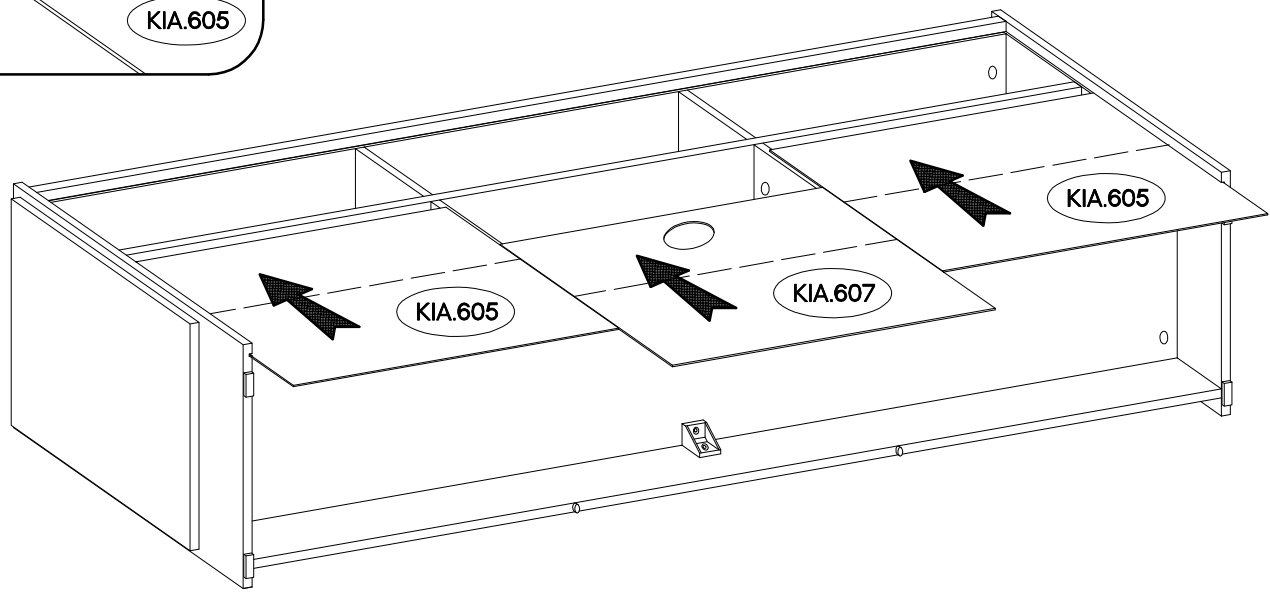
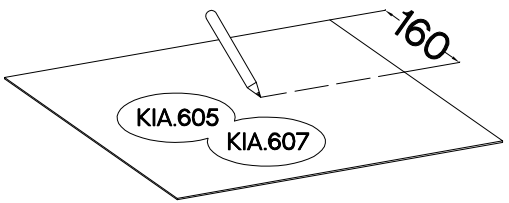
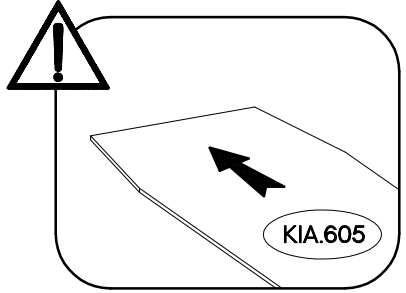
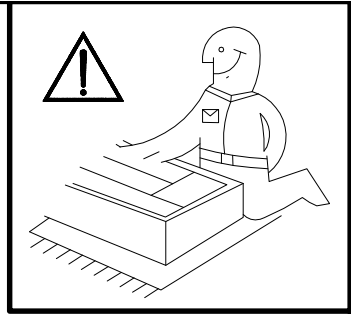





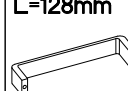


17

4.0x16mm

 P1
 1



$\pm 3.0 \times 20 \text{mm}$  P7 26	 L2 4	 L 10
---	---	---



+3.5x25mm BLACK  P25 cza.	 E art.	 E	L=128mm  S	M4x22mm  U	M4x9mm  U1
3	14	4	3	6	6

