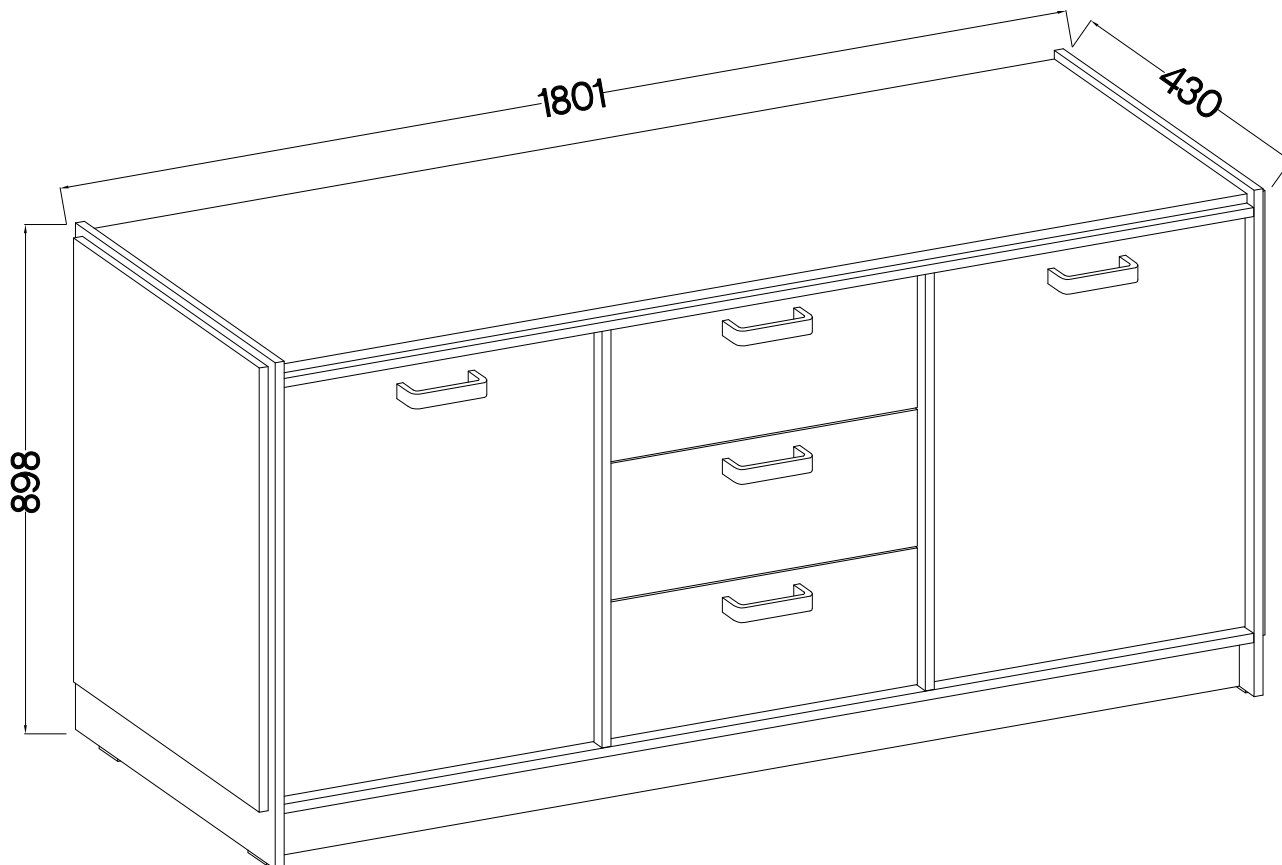
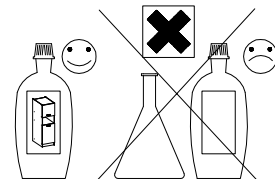


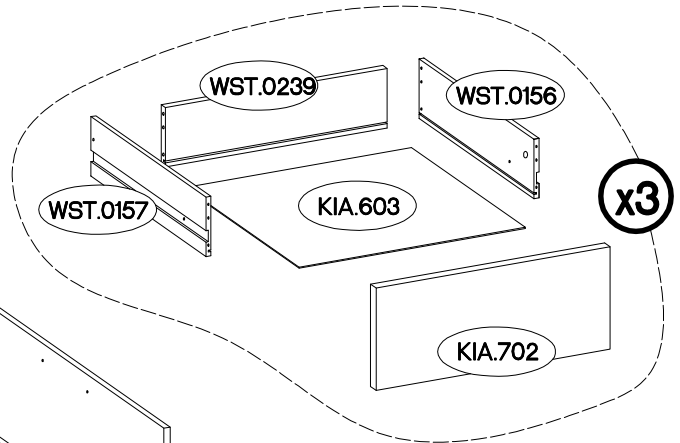
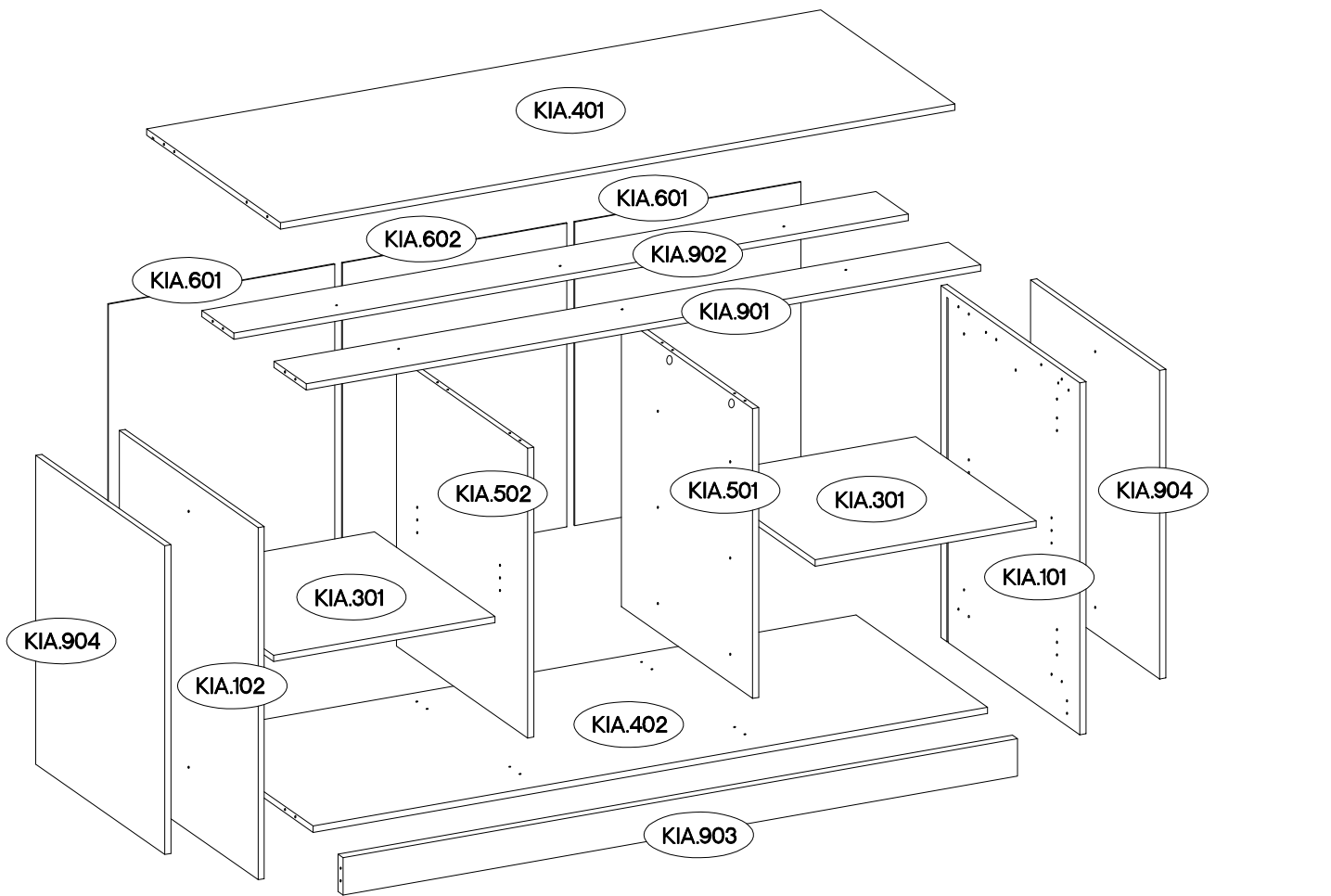
120 min

TYP 810

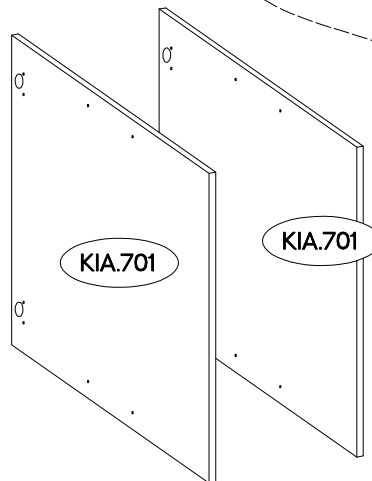


†8x30mm A 48	†8x20mm A4 4	6,4 x 50mm B 4	†6x42mm B2 6	†15/12mm C 16	†12/10mm C5 6	L=20mm D2 22					
cza. E 6	art. E 6	6.5x48x16 F2 4	†15x5mm F4 2	†35/16mm HG2 4	27/310mm I4 3	†5/16mm J3 8	 L 24	 L2 10	 L9 2	†6,3x13mm M2 12	
 O 1	†10x50mm O7 2	0,05 O11 1	†4.0x16mm P1 2	†3.5x13mm P5 10	†3.0x20mm P7 22	†3.5x25mm BLACK P25 16	L=128mm S 5	 T3 1	M4x22mm U 10	M4x9mm U1 6	

ISM-KIA-001

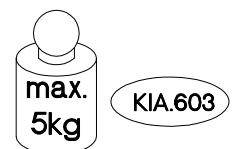
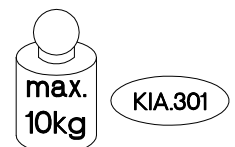


Colli	Ersatzteil Nummer	Dimension
1/3	KIA.101	893x430x16
	KIA.102	893x430x16
	KIA.301 x2	570x373x16
	KIA.501	735x406x16
	KIA.502	735x406x16
	KIA.603 x3	540x327x2,5
	KIA.904 x2	783x400x16
	WST.0156 x3	330x140x12


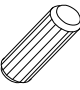



Colli	Ersatzteil Nummer	Dimension
2/3	KIA.601 x2	770x583x2,5
	KIA.602	770x578x2,5
	KIA.701 x2	567x729x16
	KIA.702 x3	559x241x16
	WST.0157 x3	330x140x12
	WST.0239 x3	530x140x12

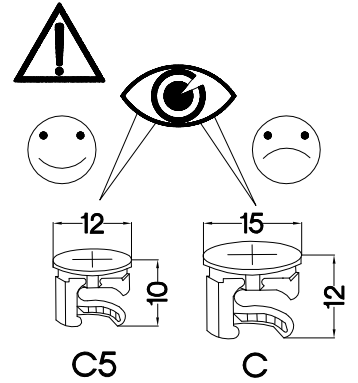
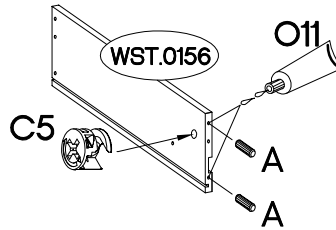
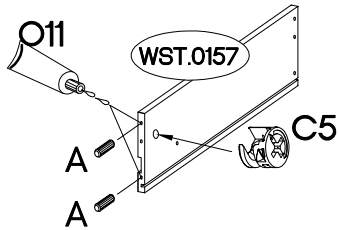
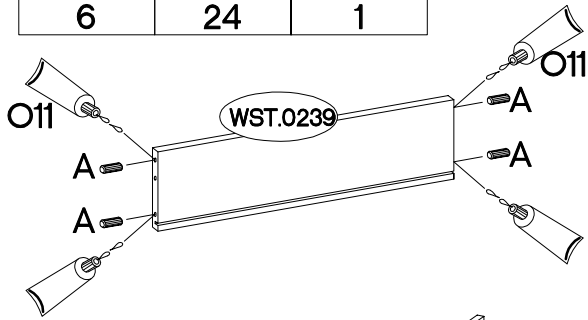
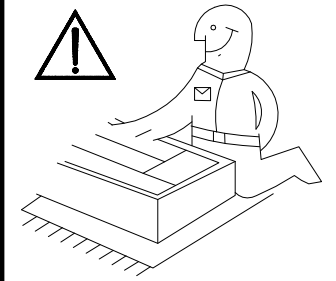
Colli	Ersatzteil Nummer	Dimension
3/3	KIA.401	1737x415x16
	KIA.402	1737x407x16
	KIA.901	1737x100x16
	KIA.902	1737x100x16
	KIA.903	1737x95x16



1



#12/10mm  C5 6	+8x30mm  A 24	0,05  Lein O11 1
---	--	---

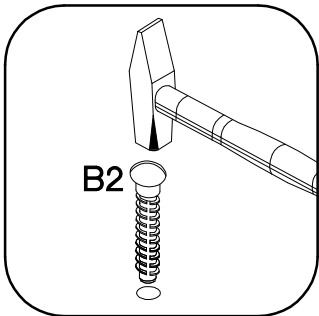
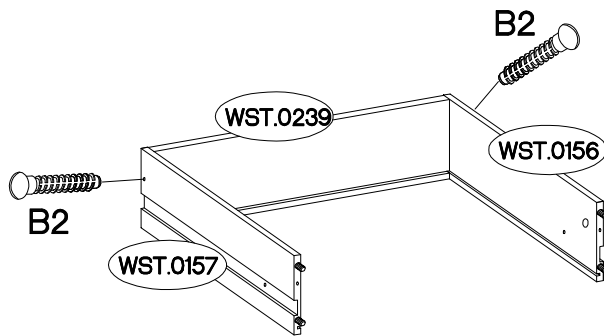
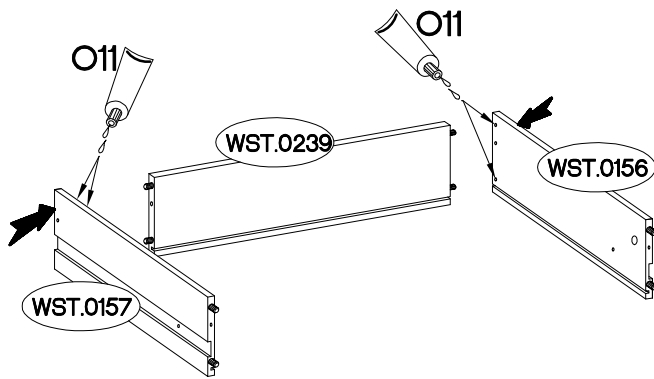
x3




2

x3

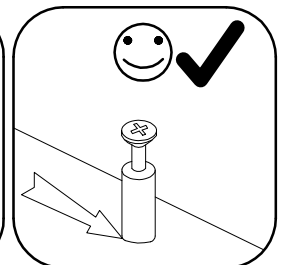
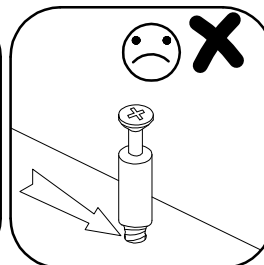
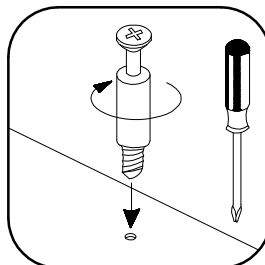
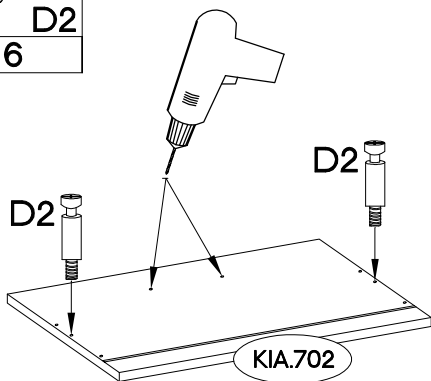
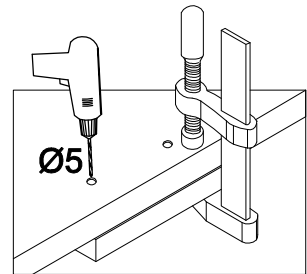
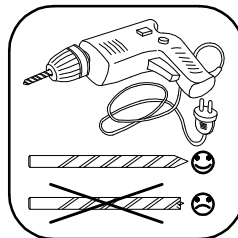
+6x42mm  B2 6	0,05  Lein O11 1
---	--



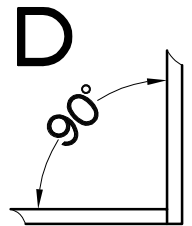
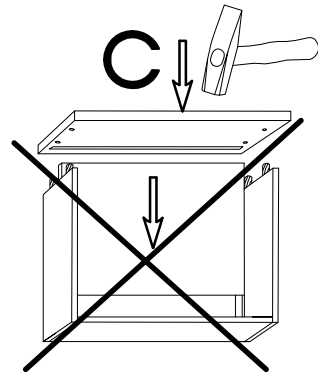
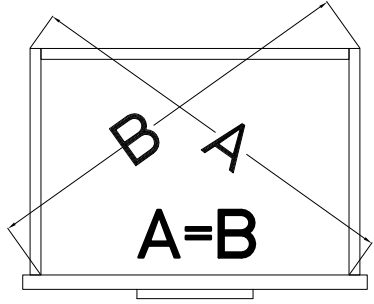
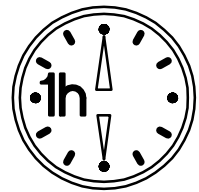
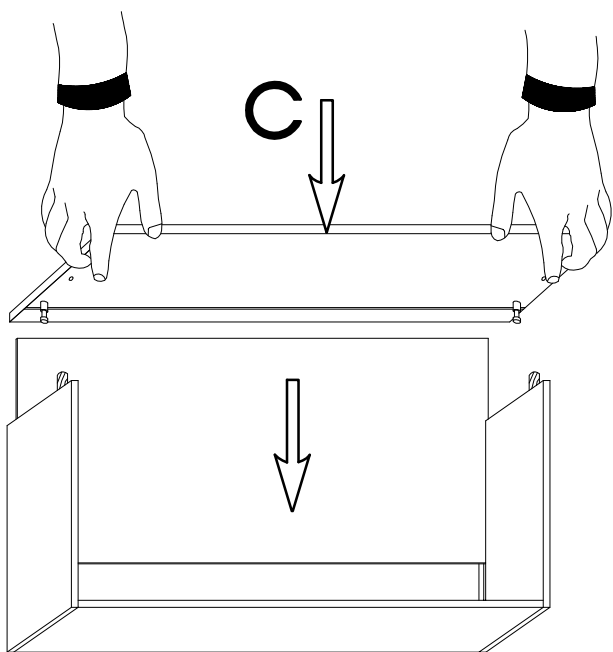
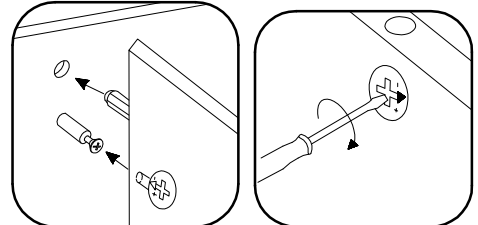
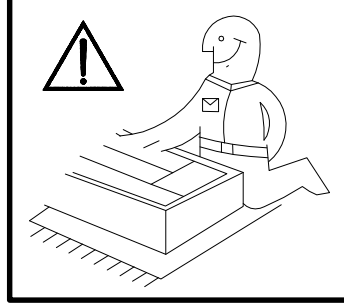
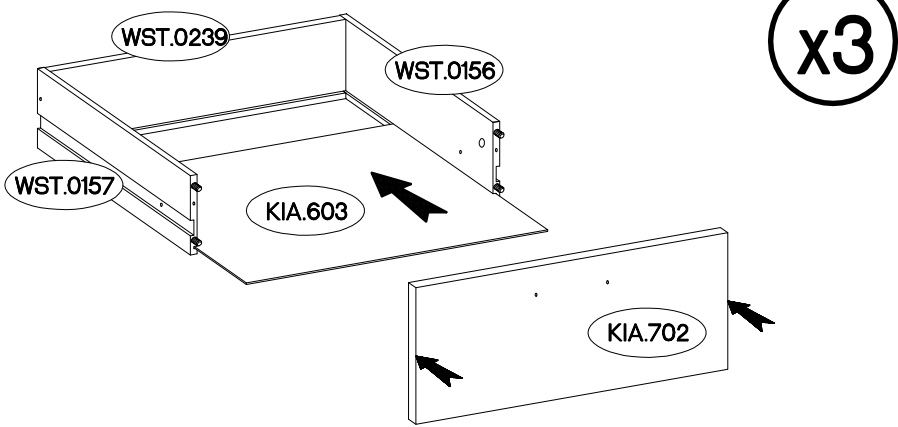
3

L=20mm  D2 6
--

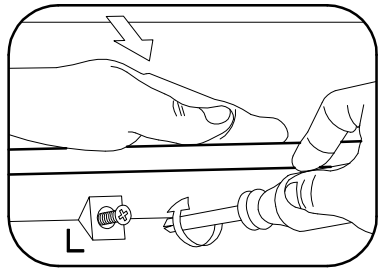
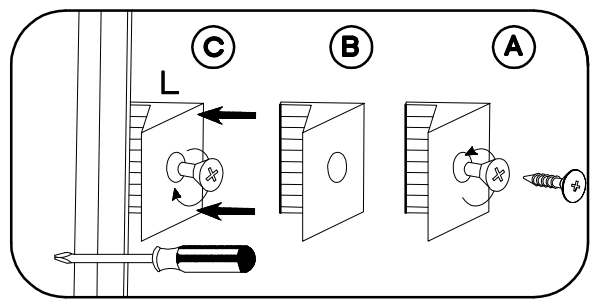
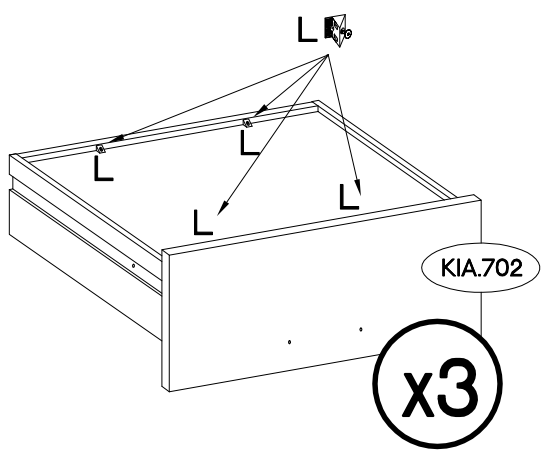
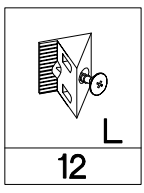
x3



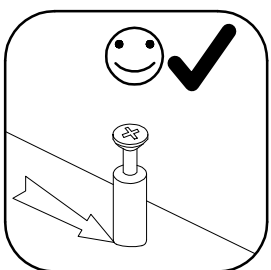
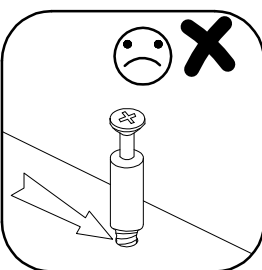
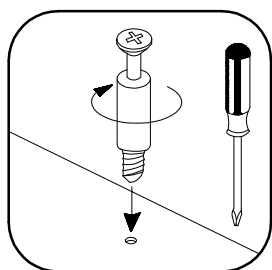
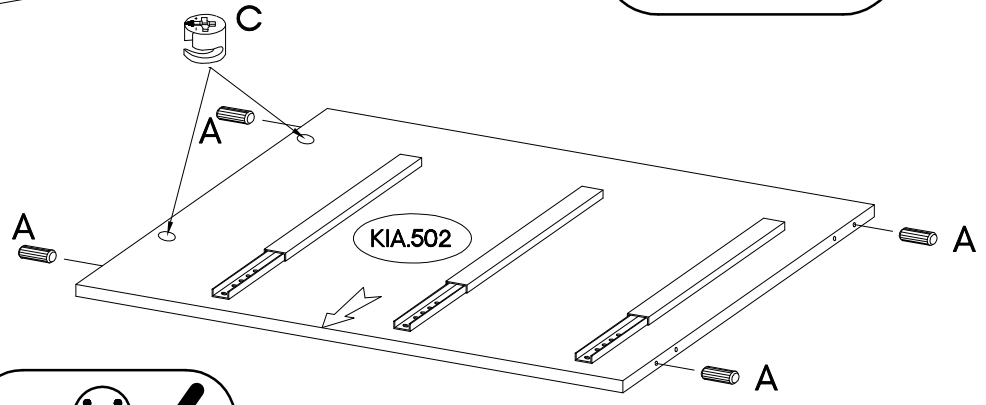
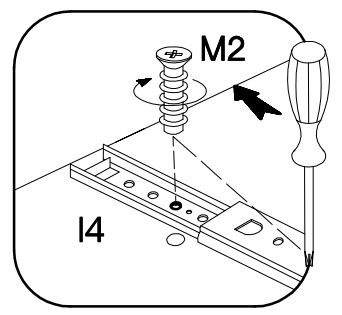
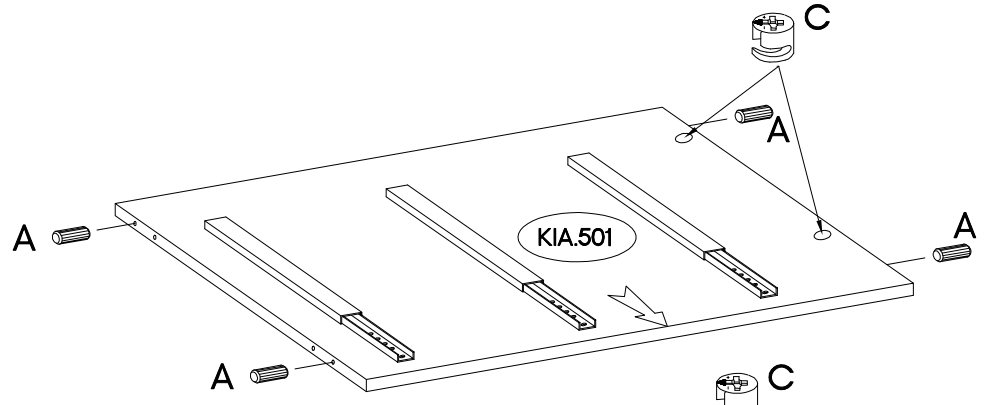
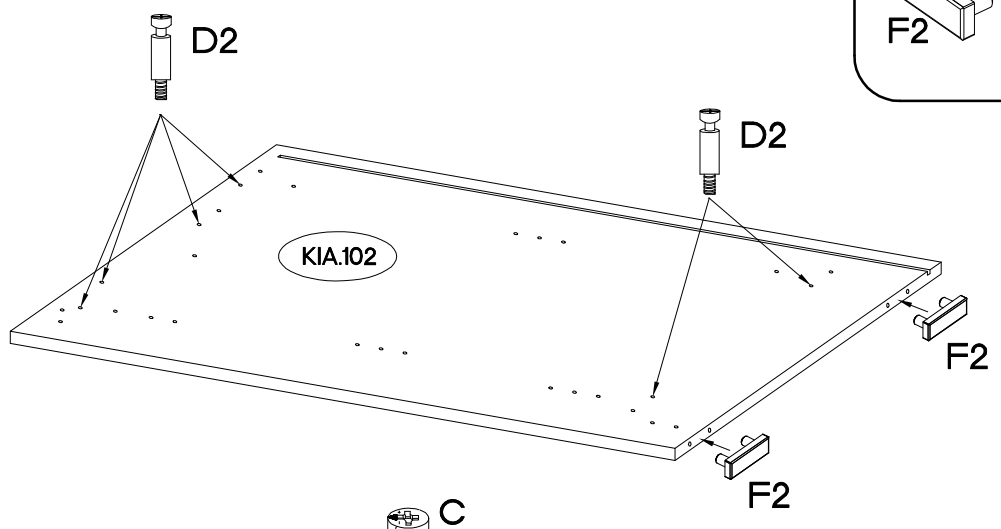
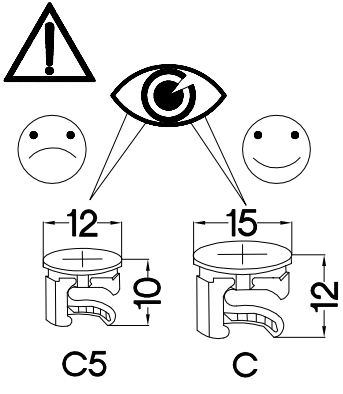
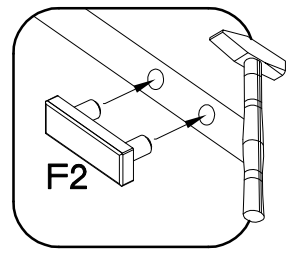
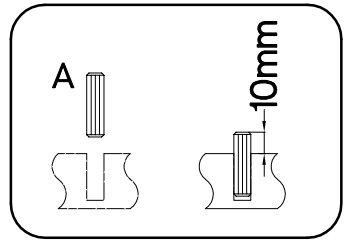
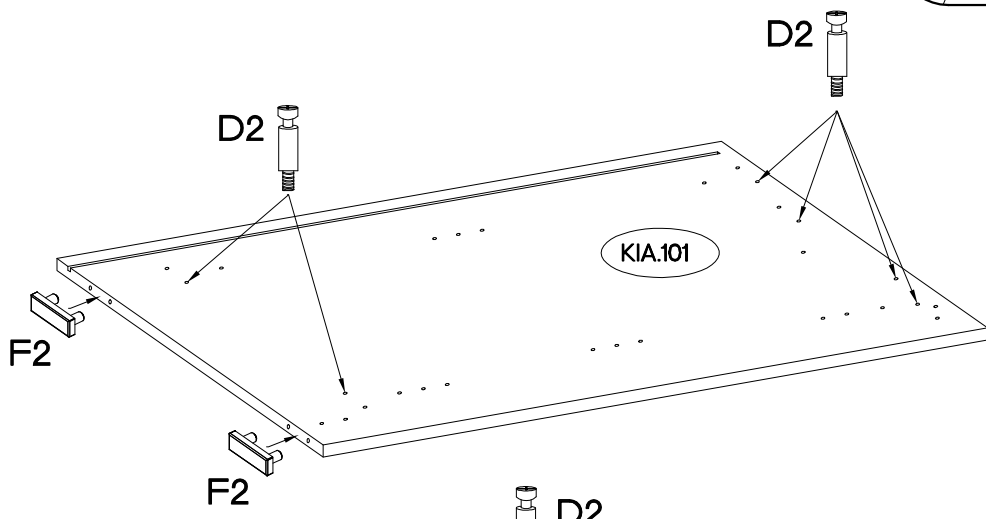
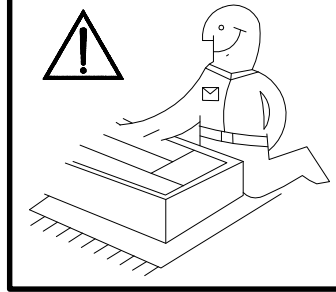
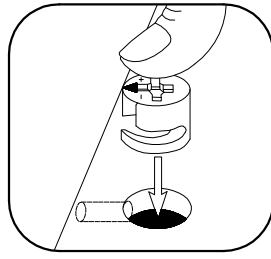
4



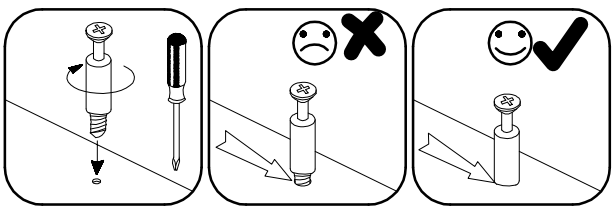
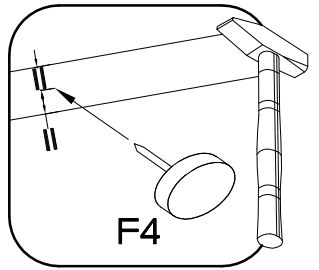
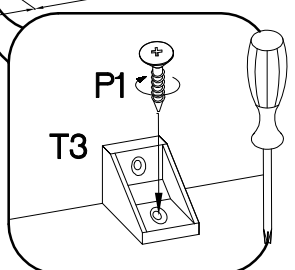
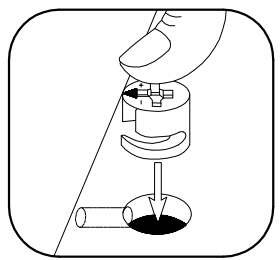
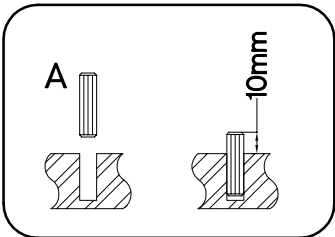
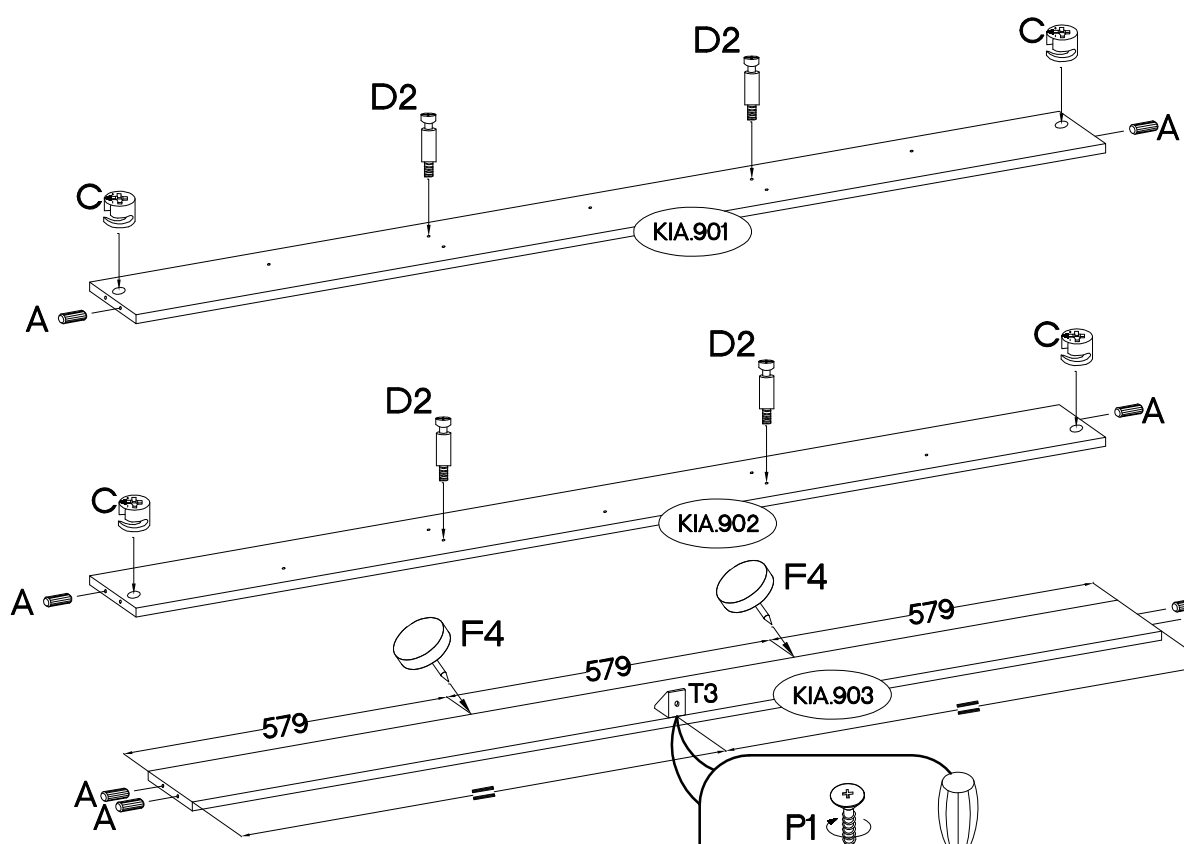
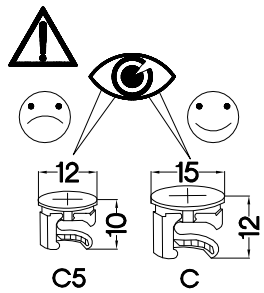
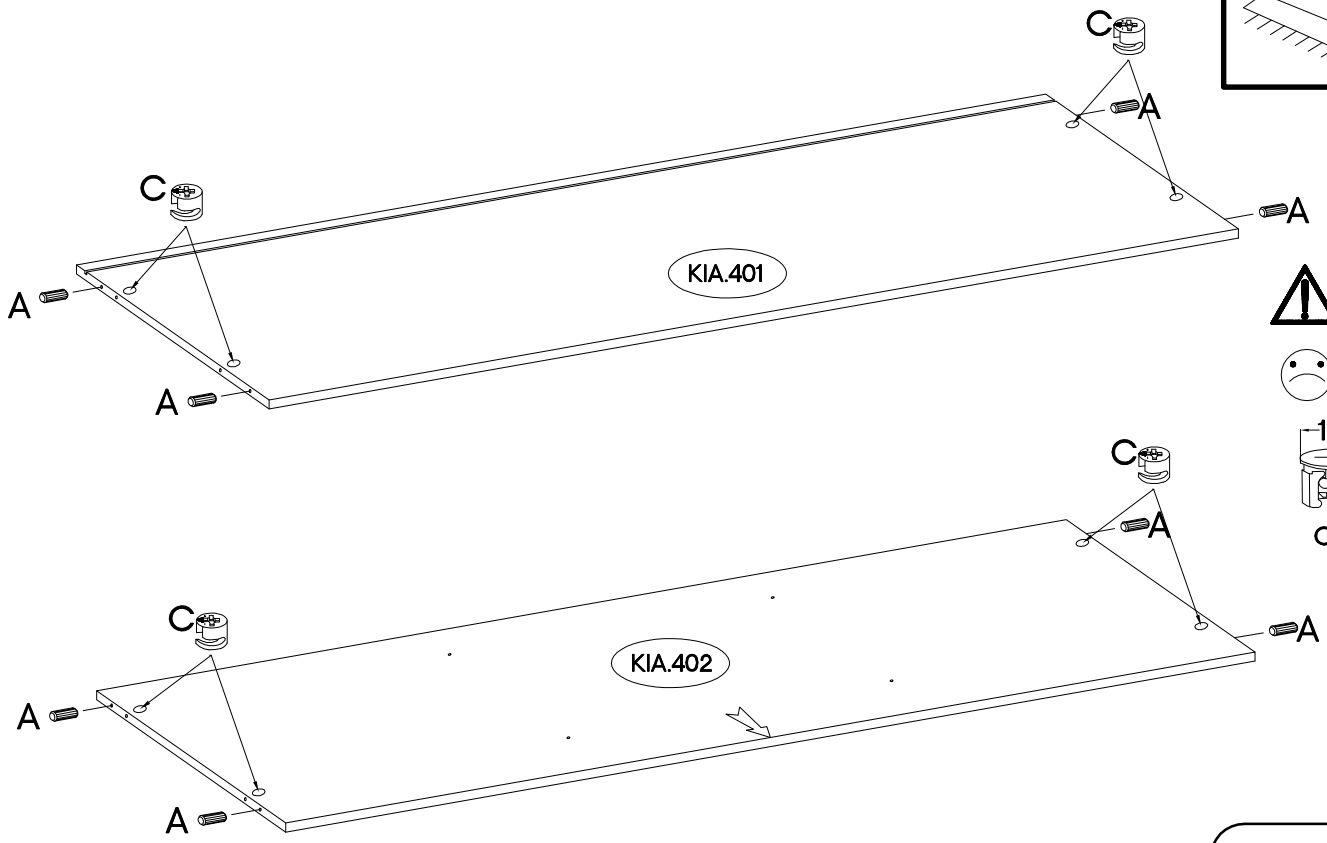
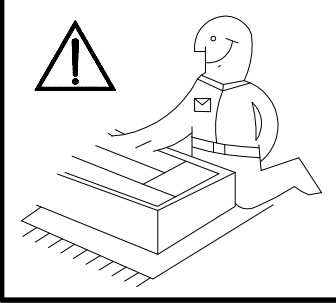
5



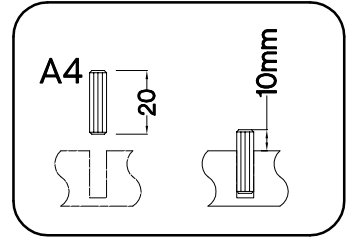
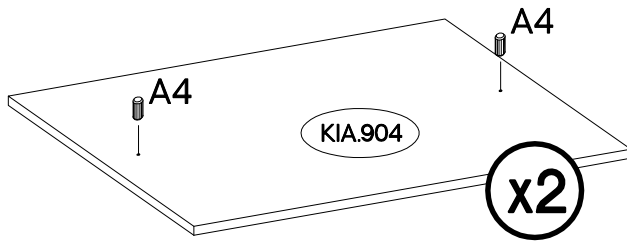
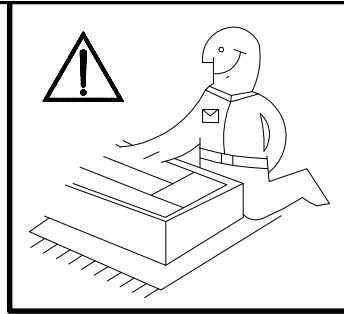
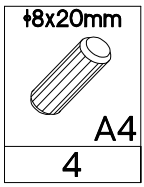
$\varnothing 8 \times 30 \text{mm}$ A 8	$L=20 \text{mm}$ D2 12	$\varnothing 15/12 \text{mm}$ C 4	$6.5 \times 48 \times 16$ F2 4	$27/310 \text{mm}$ I4 3	$\varnothing 6.3 \times 13 \text{mm}$ M2 12
--	---	--	---	--	--



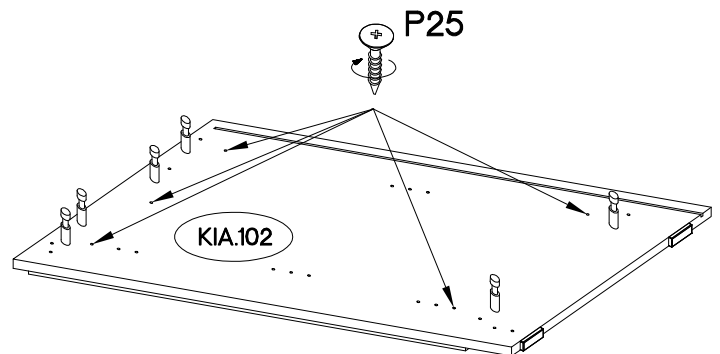
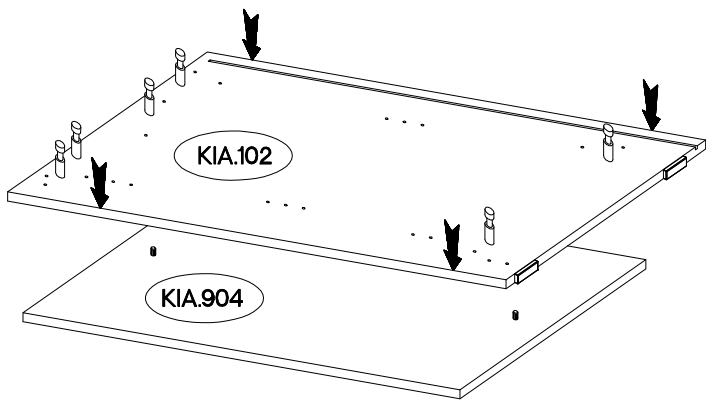
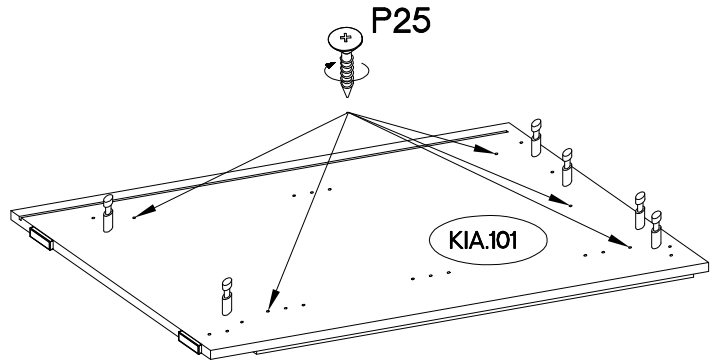
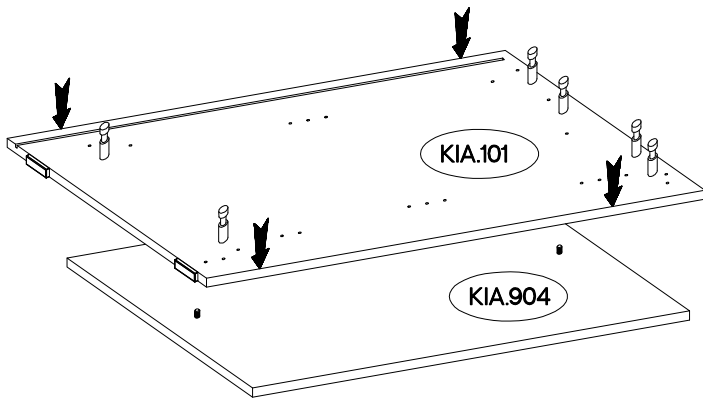
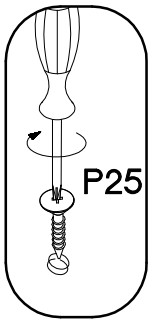
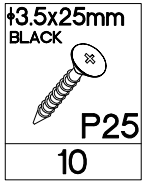
+8x30mm	L=20mm	+15/12mm		+4.0x16mm	+15x5mm
A	D2	C	T3	P1	F4
16	4	12	1	1	2



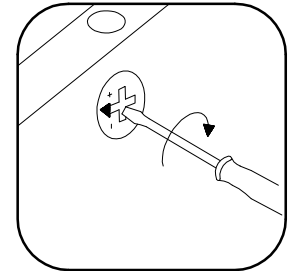
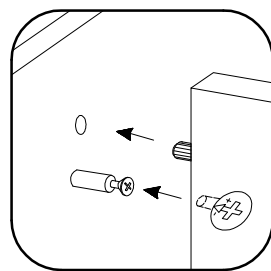
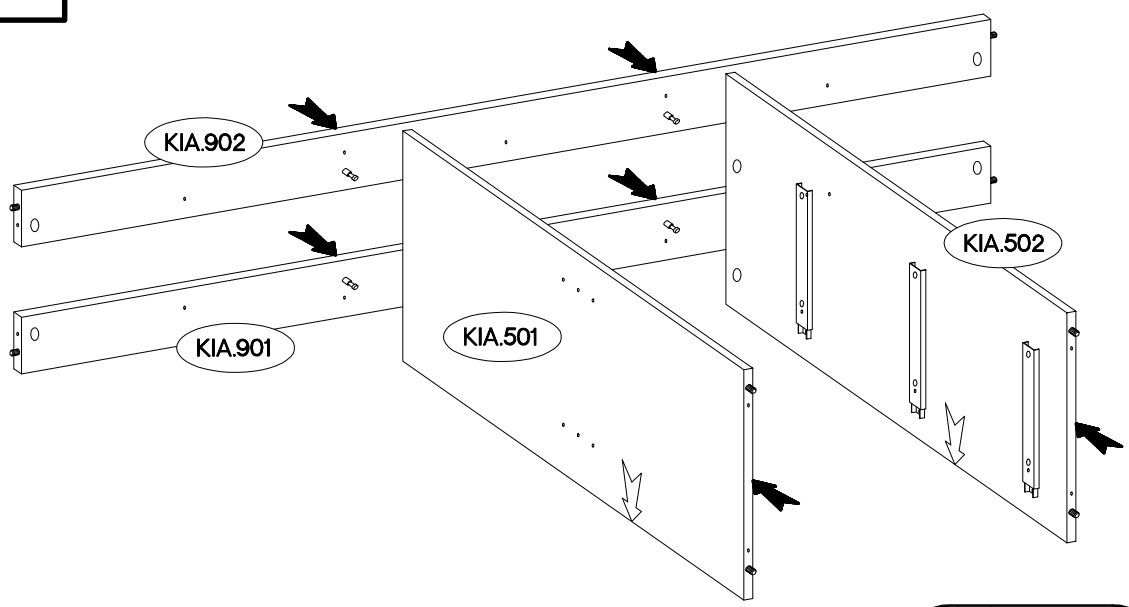
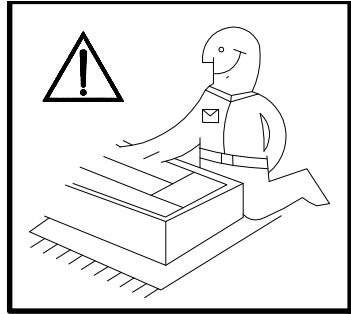
8



9

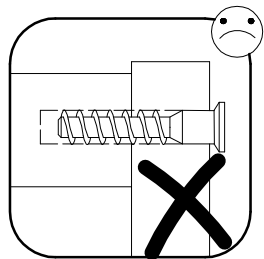
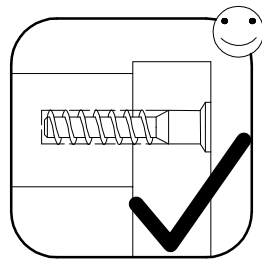
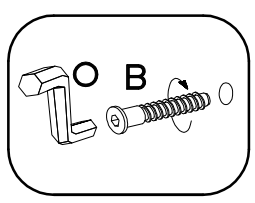
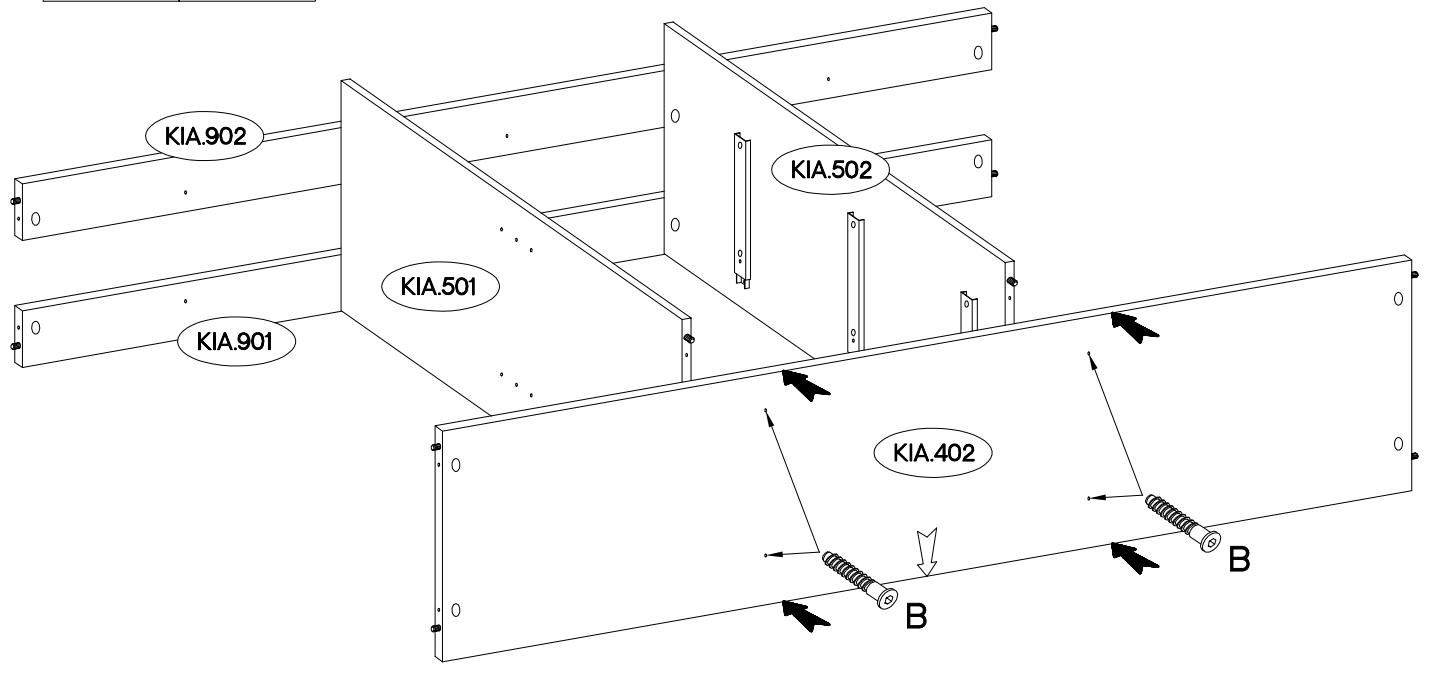


10

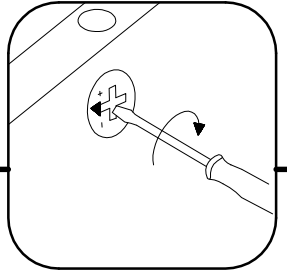
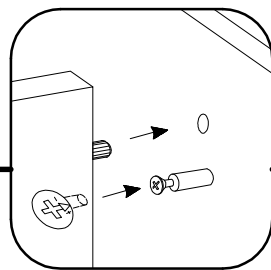
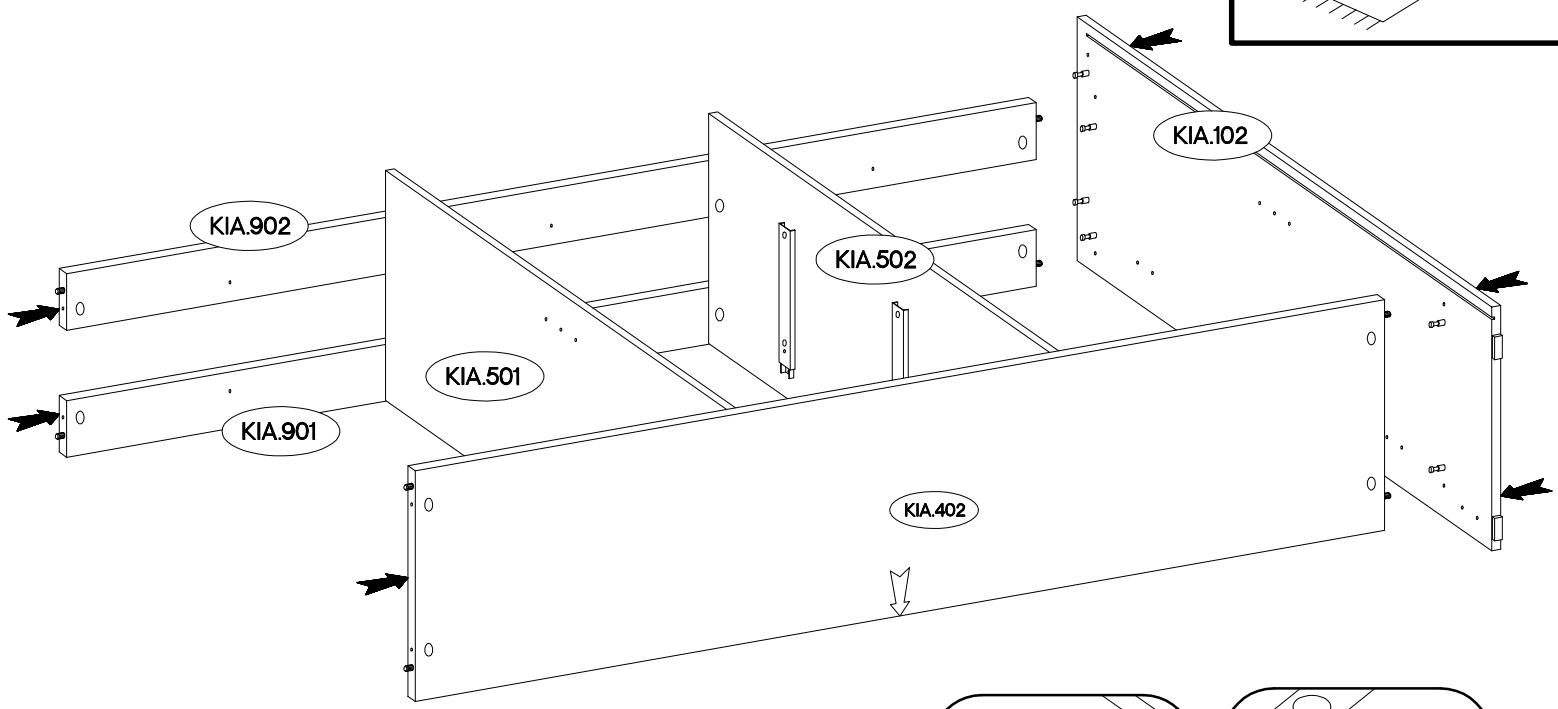
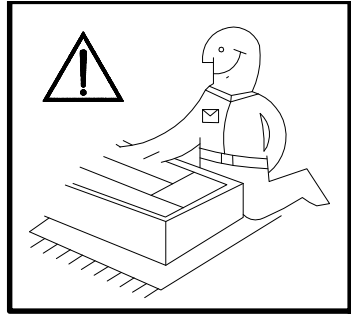


11

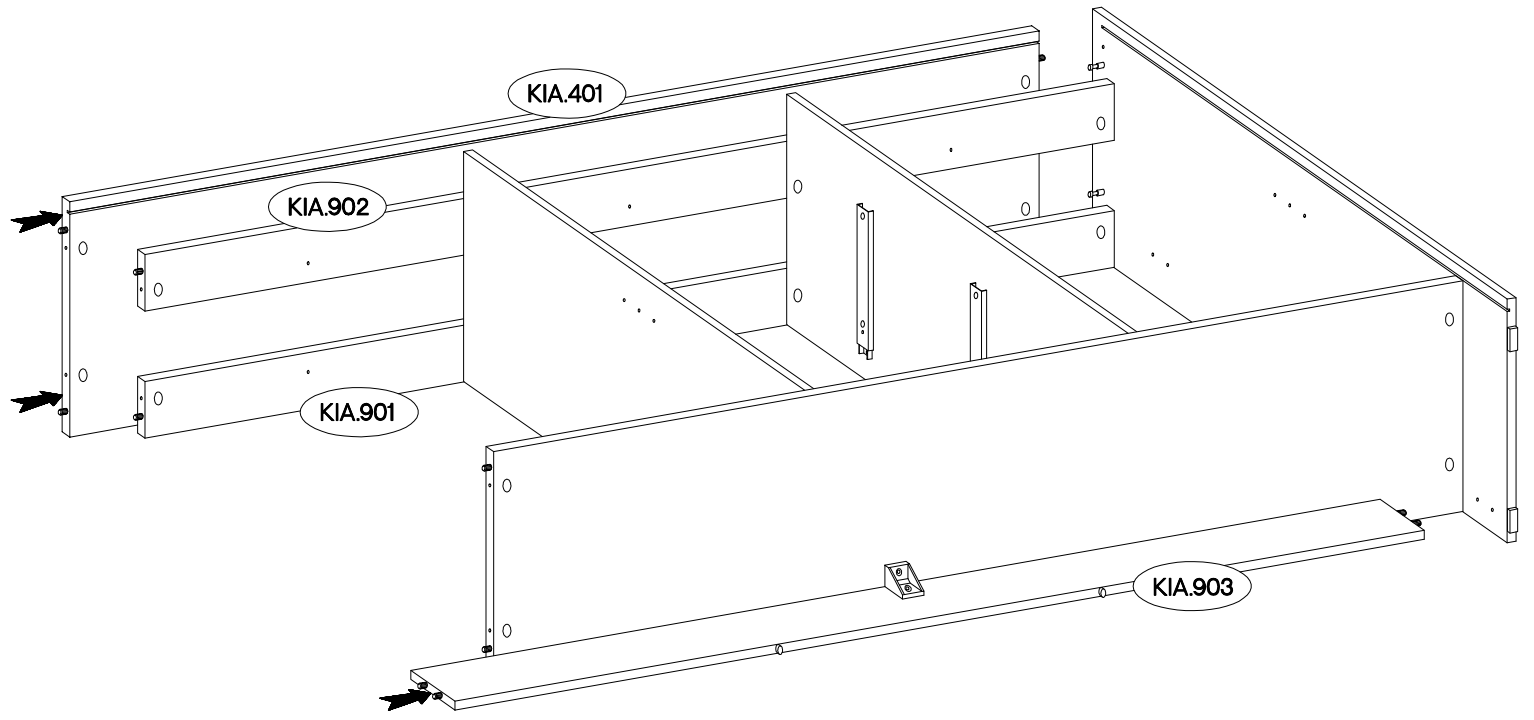
6,4 x 50mm	
4	1



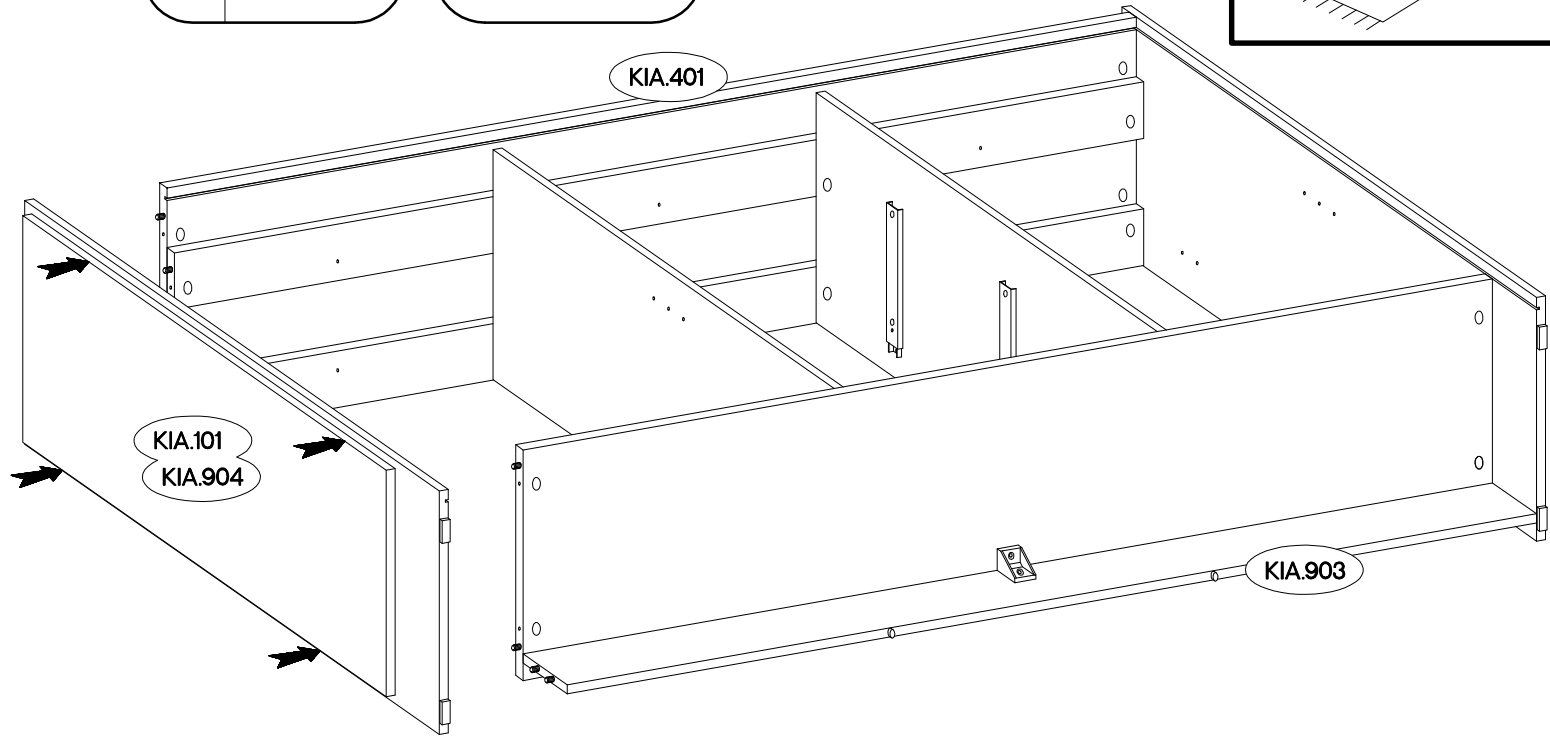
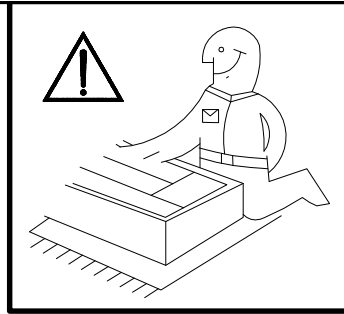
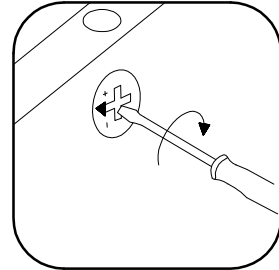
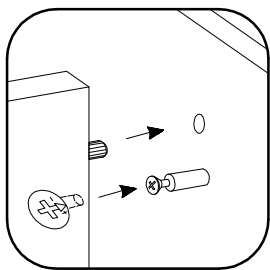
12



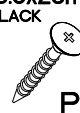

13

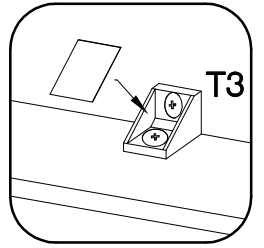
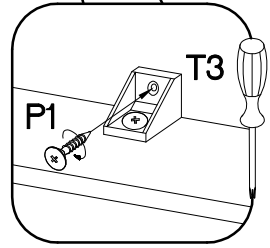
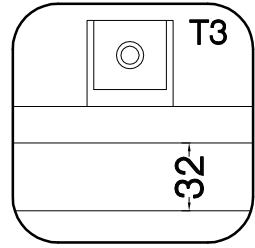
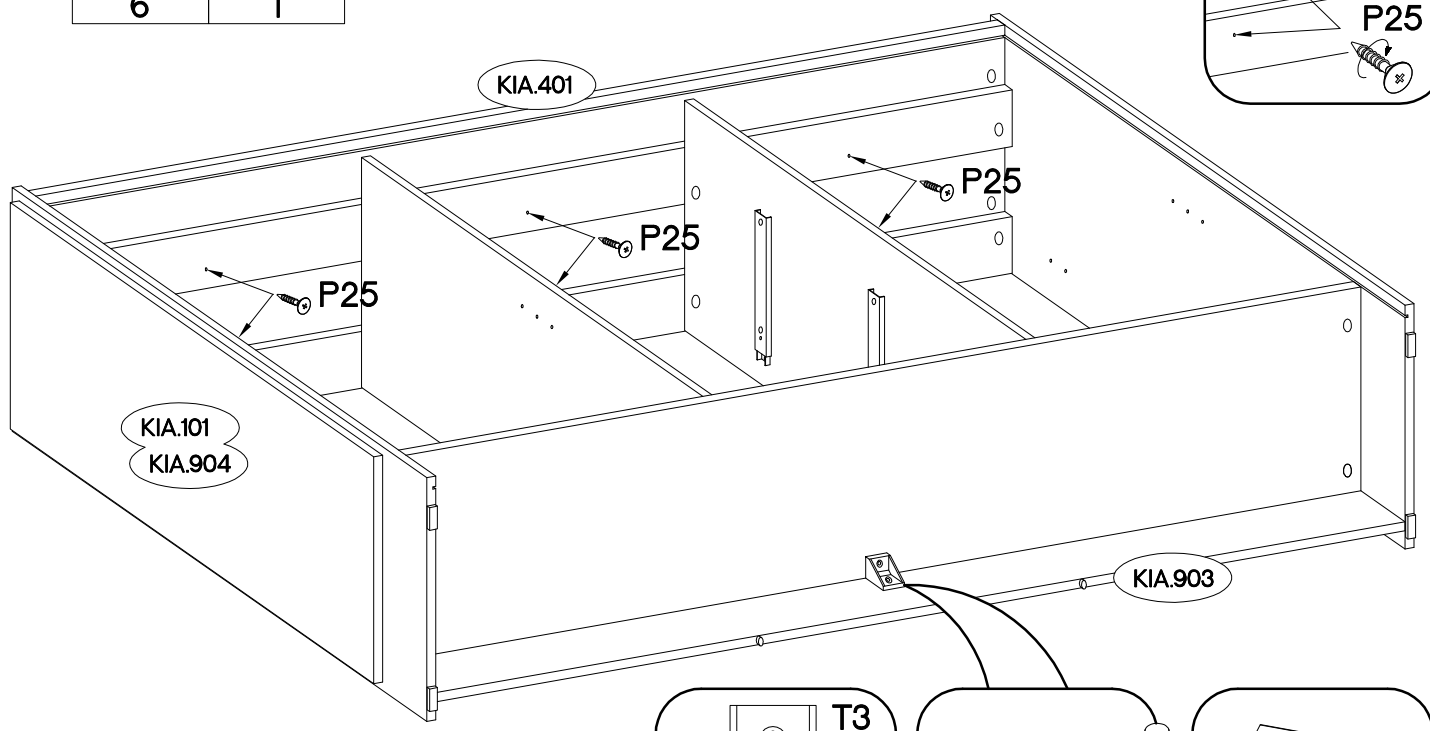
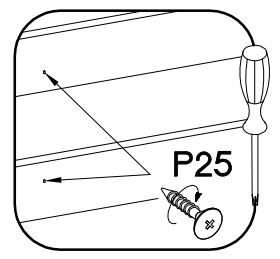



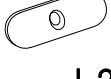
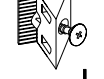
14

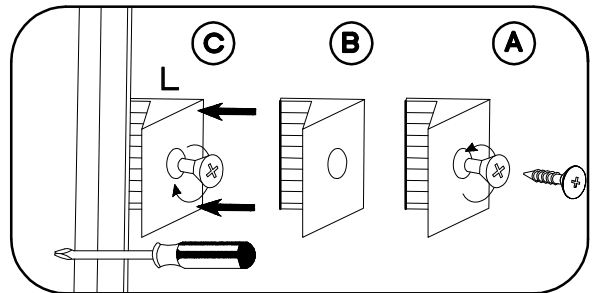
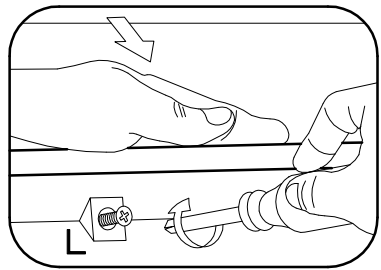
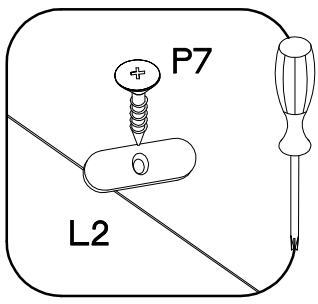
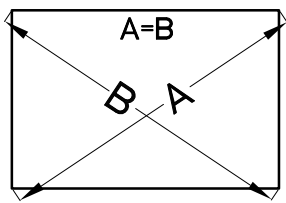
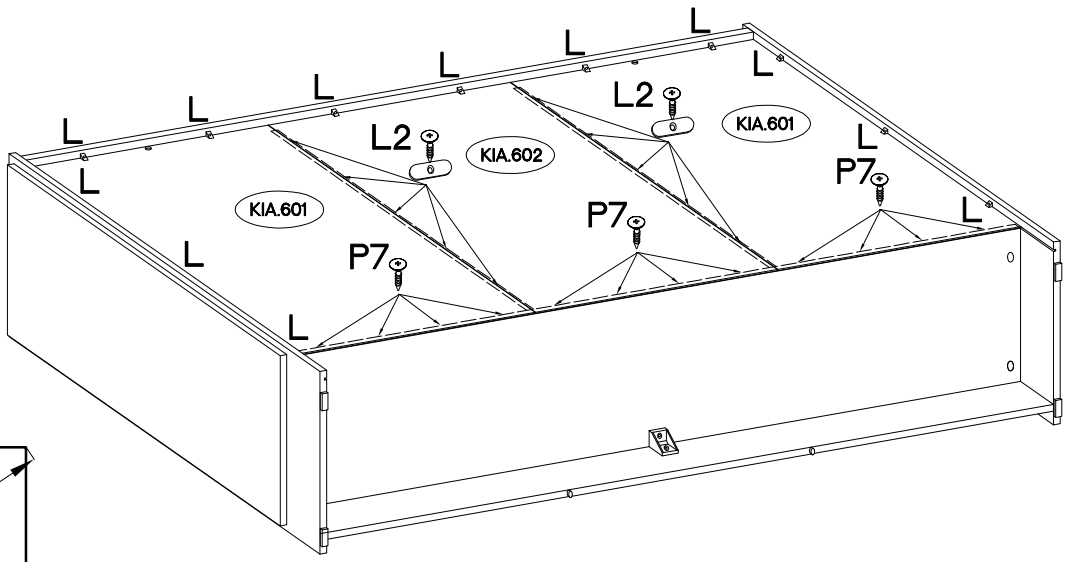
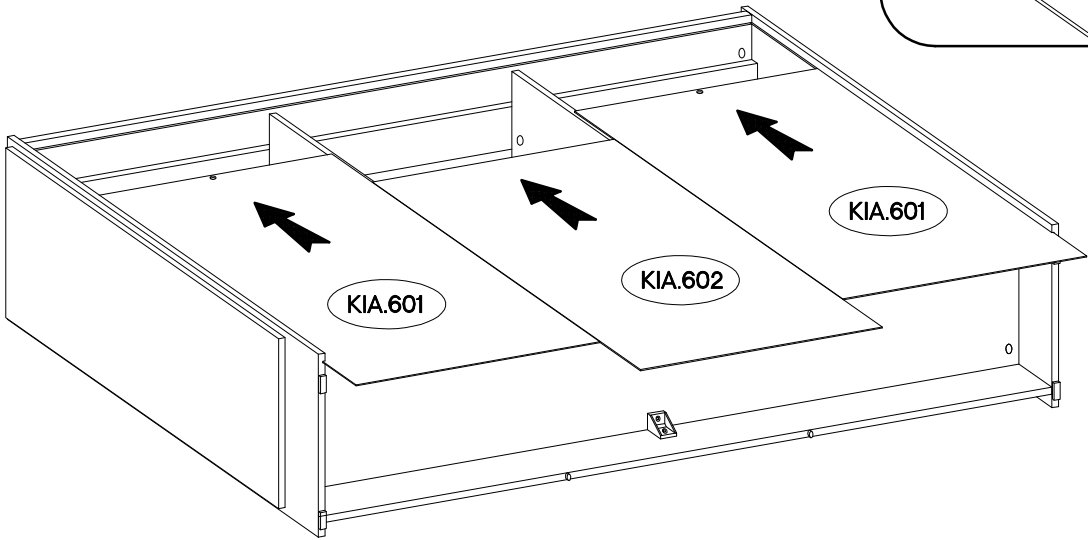
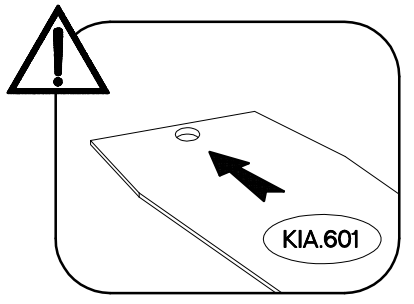
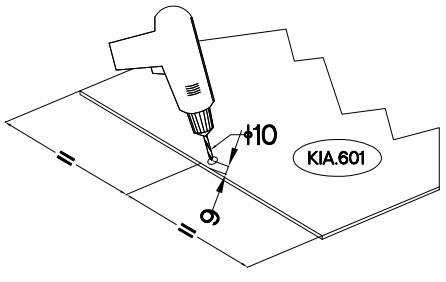
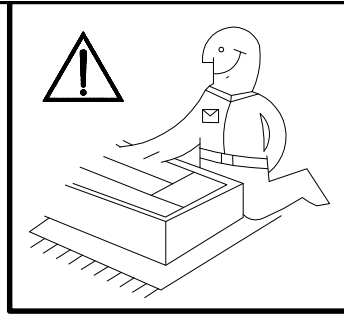





15

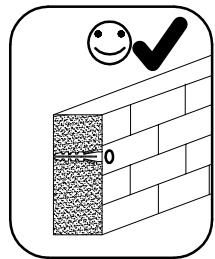
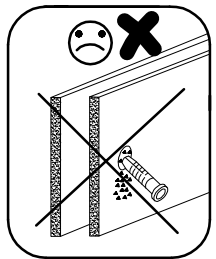
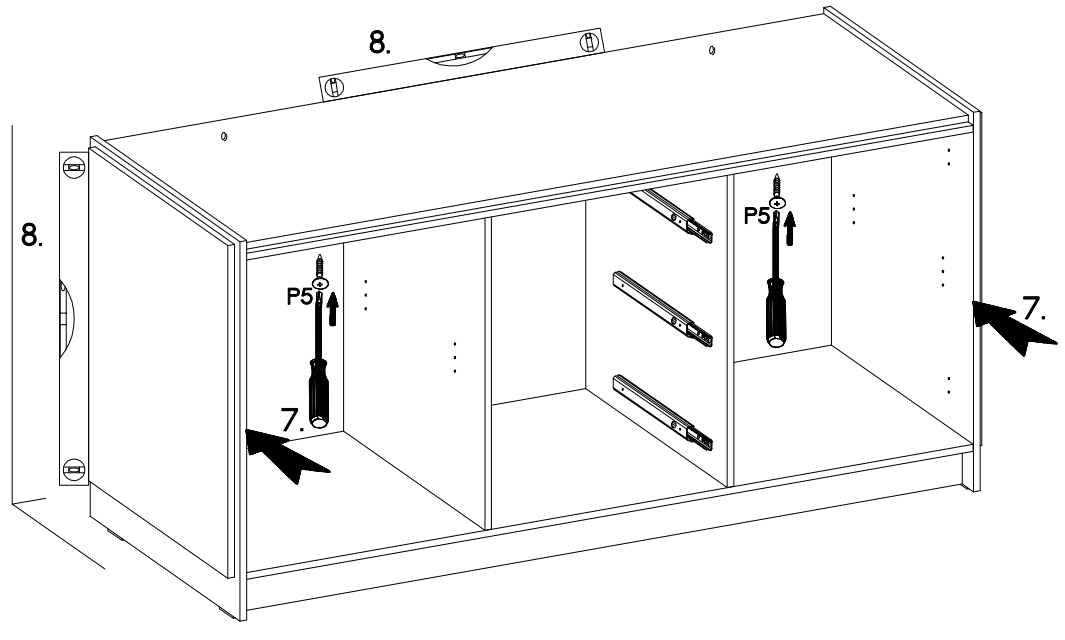
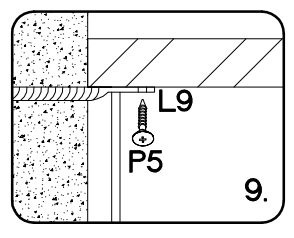
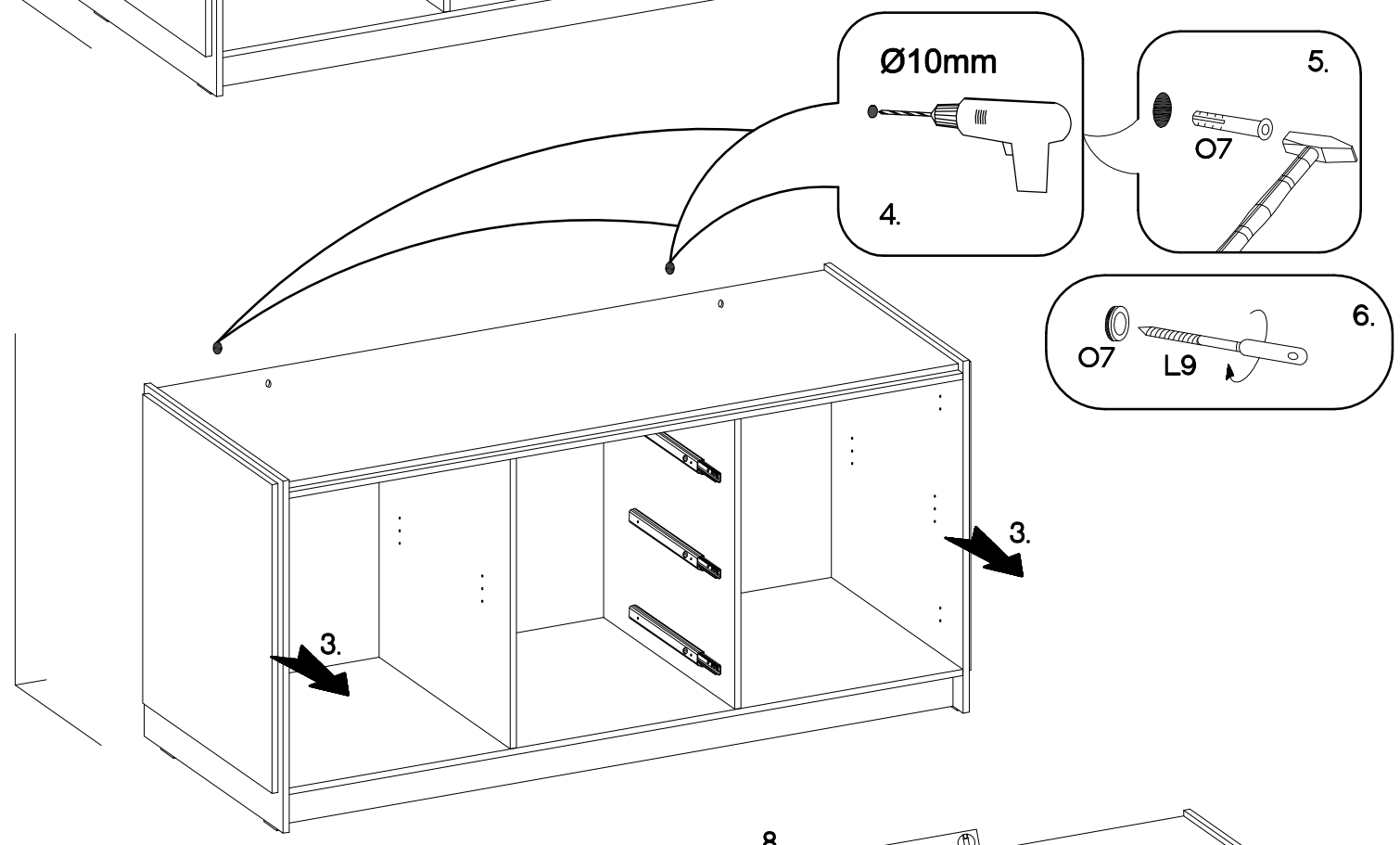
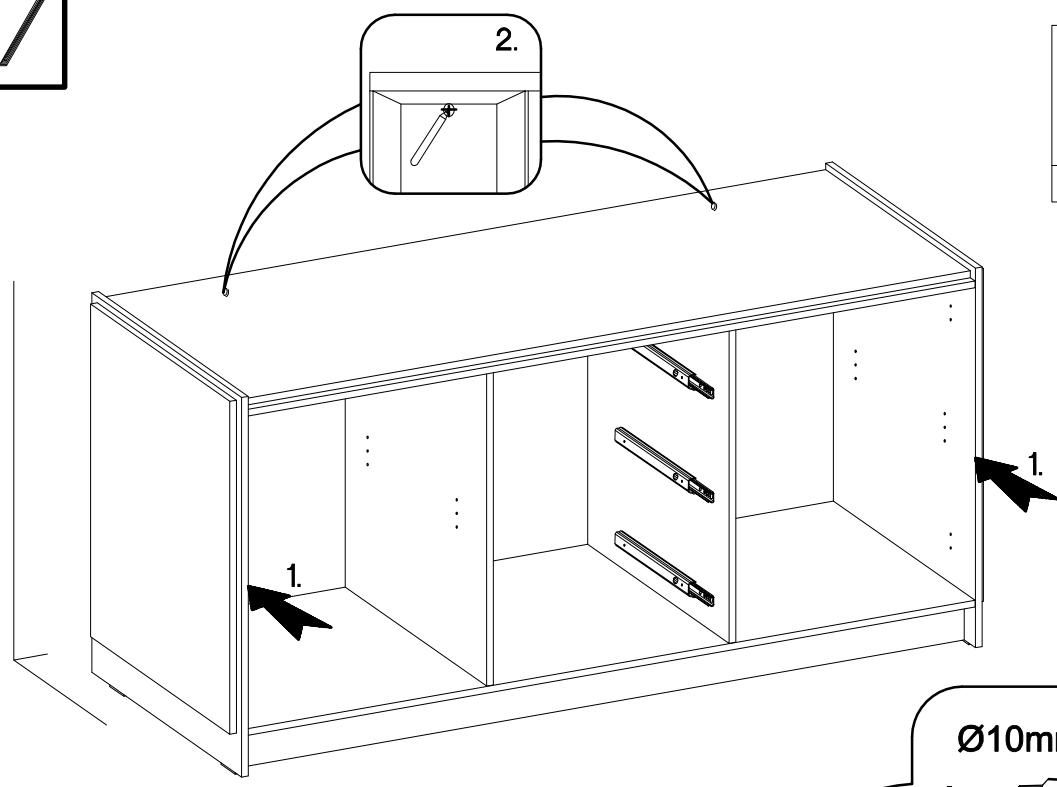
+3.5x25mm BLACK  P25 6	+4.0x16mm  P1 1
---	---






+3.0x20mm		
		
P7	L2	L
22	10	12

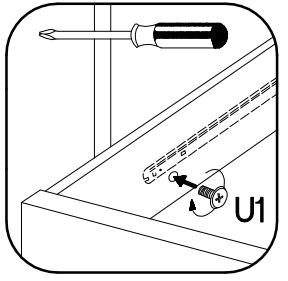
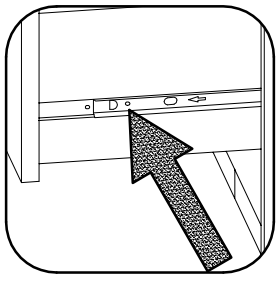
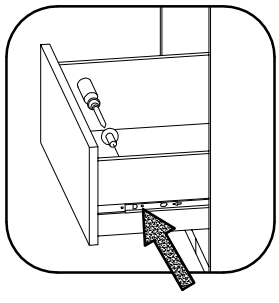
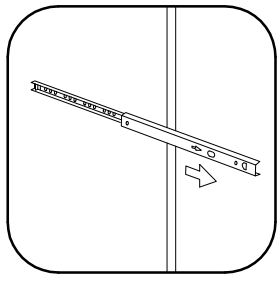
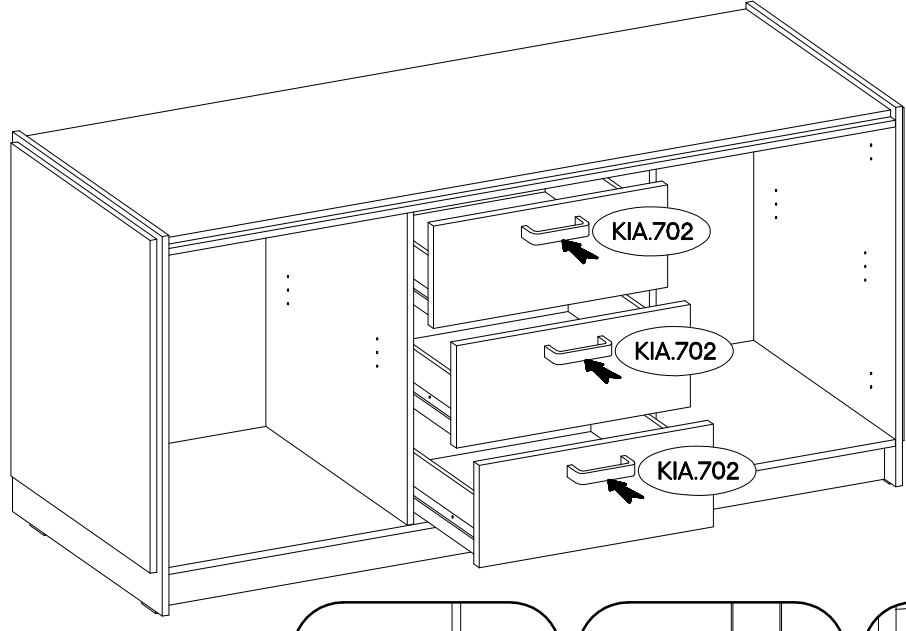
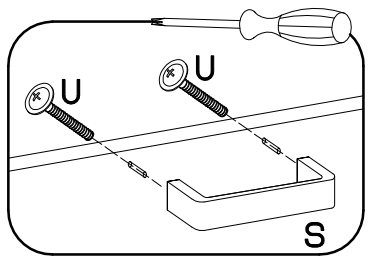


$\pm 10 \times 50 \text{mm}$  Ø7 2	 L9 2	$\pm 3.5 \times 13 \text{mm}$  P5 2
---	---	--

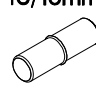




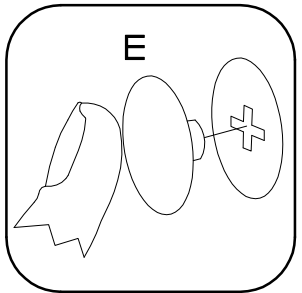
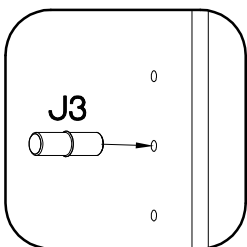
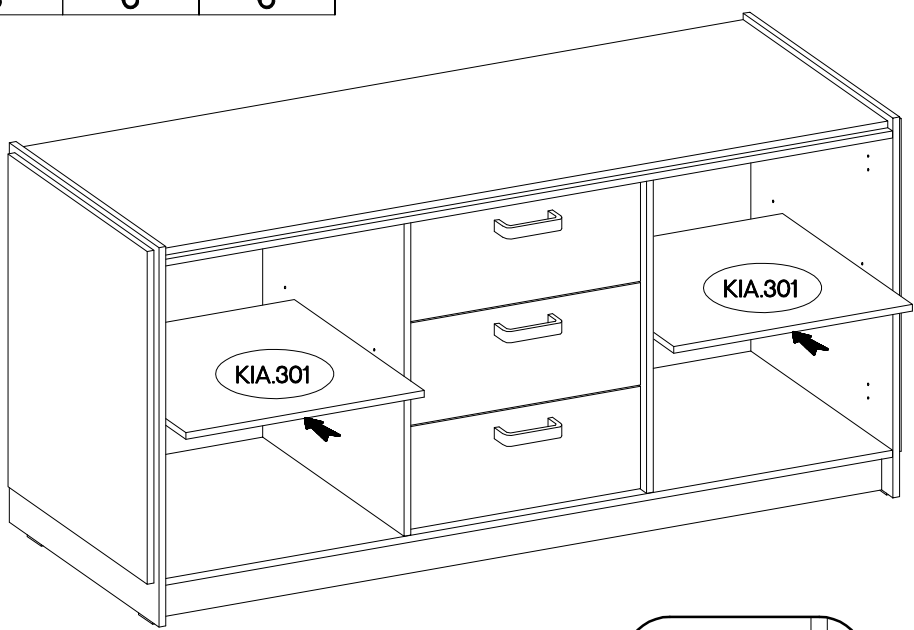
18



L=128mm	M4x22mm	M4x9mm
		
S	U	U1
3	6	6

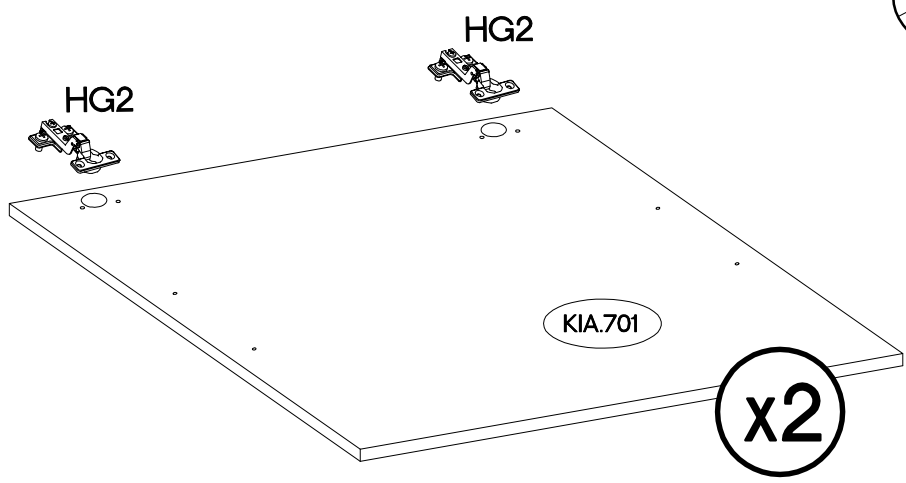
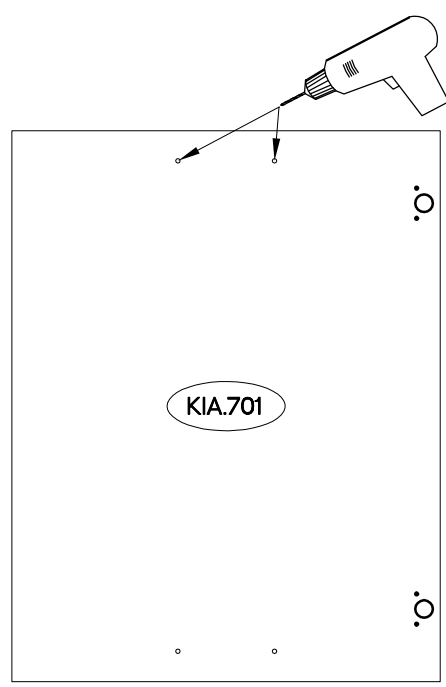
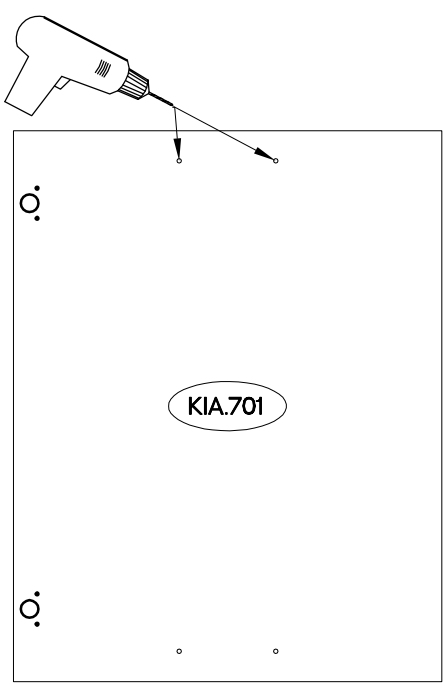
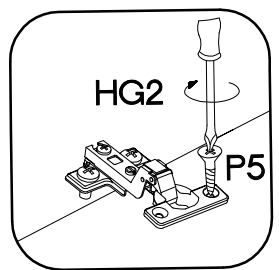
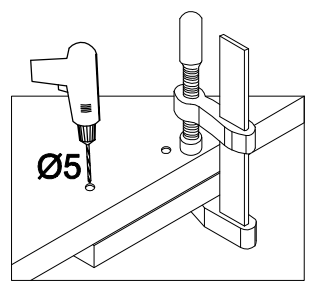
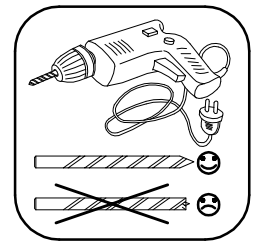




19

±5/16mm			
J3	cza.	E	art.
8	6	6	E



 HG2 4	 P5 8
--	---



L=128mm	M4x22mm
	
S	U
2	4

