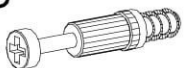

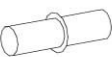
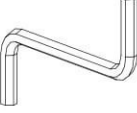




K5

 x26


G21

 3x16 x30


F2

 x4


W3

 5mm x1

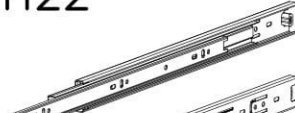
A2

 ø7x70 x2


G34

 3,5x16 x24


B3

 ø8x50 x8


K1

 ø15x12 x26


W2

 4mm x1

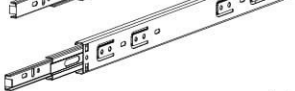
H22

 x3

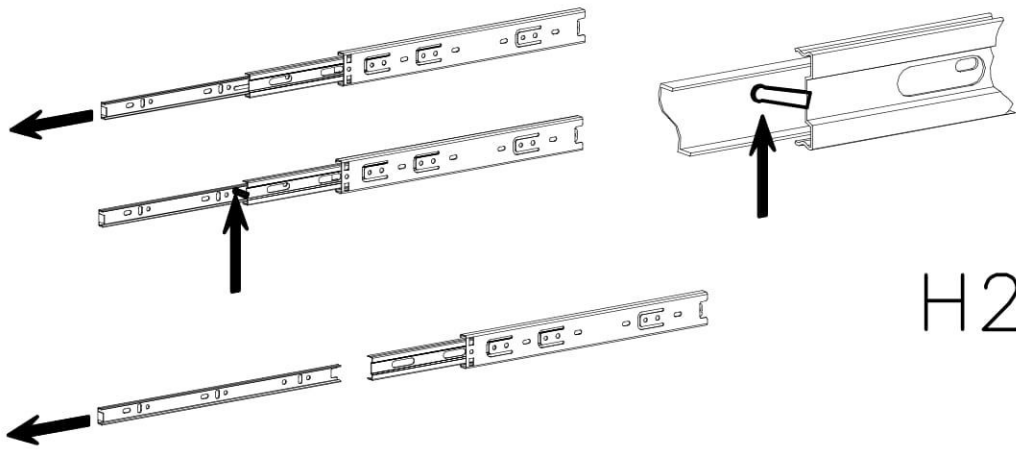
A1

 ø7x50 x12

N31

 M8x50 x2

I7

 ø18 x26

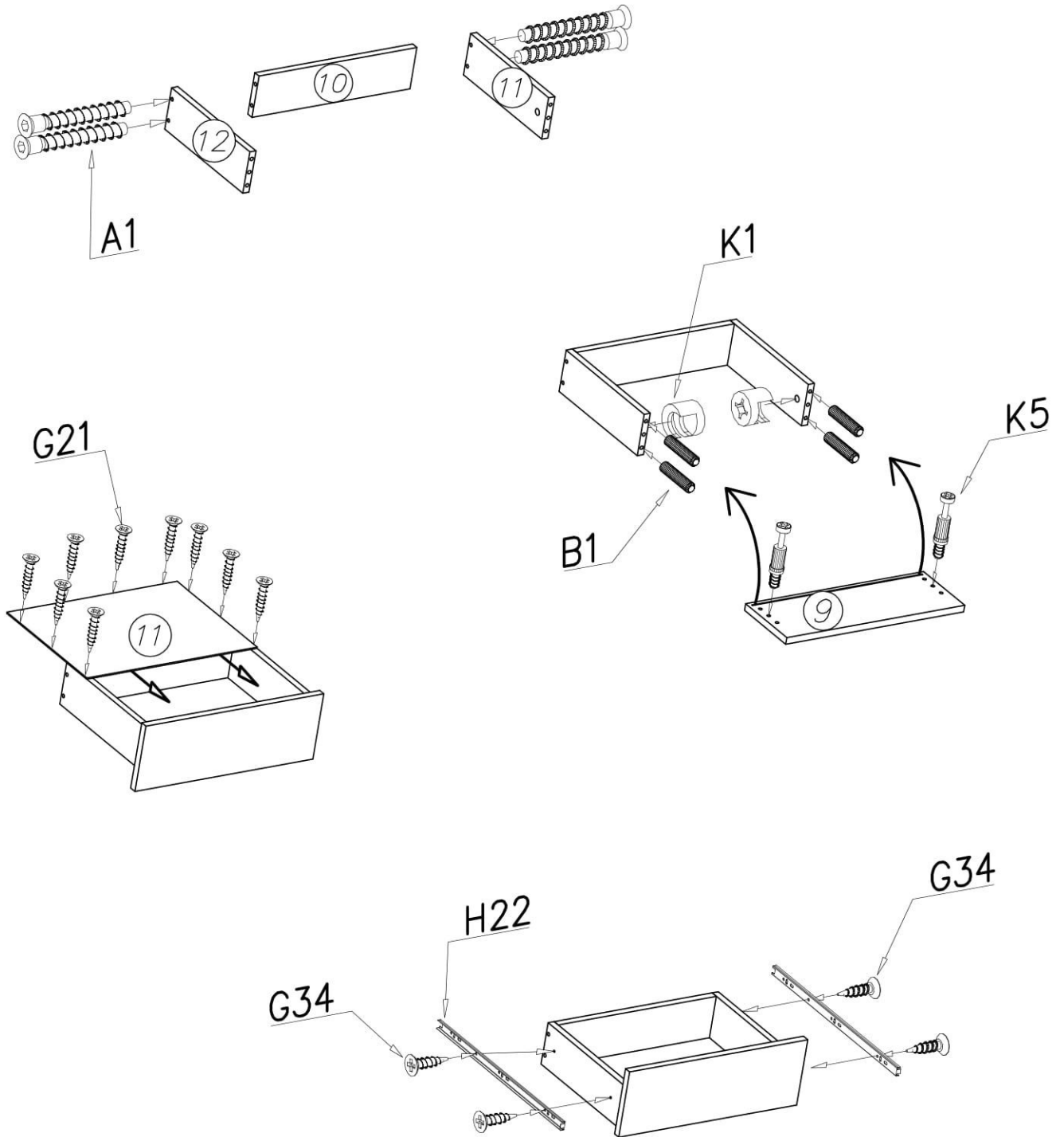
B1

 ø8x35 x34

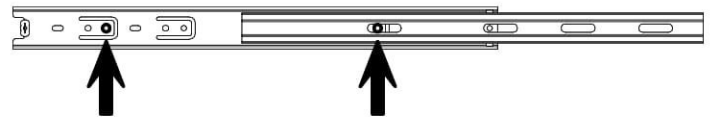
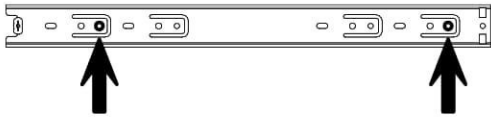
H22

 x3



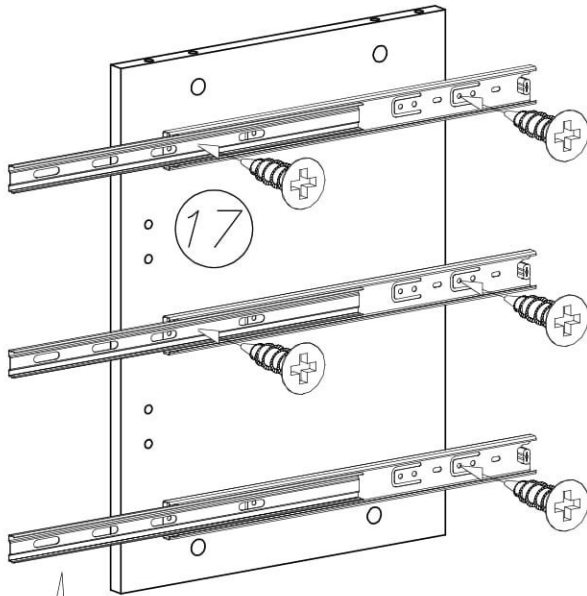
H22

1



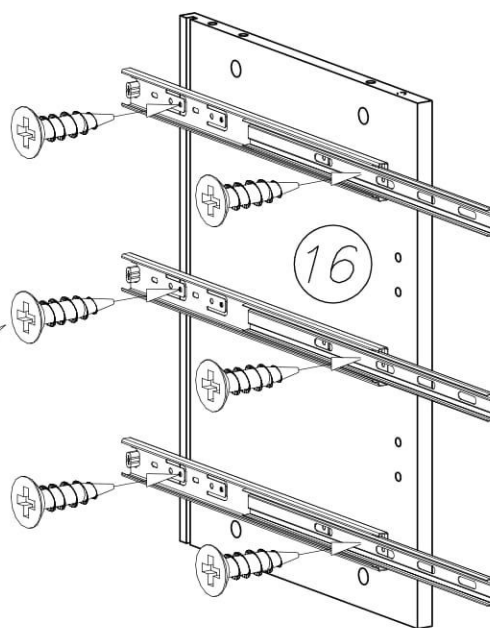


2



G34

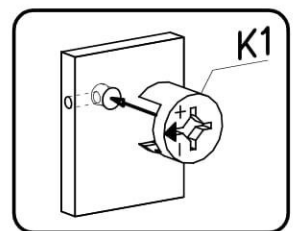
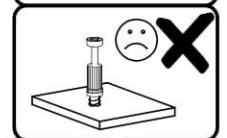
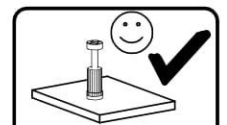
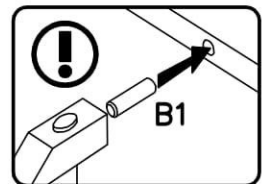
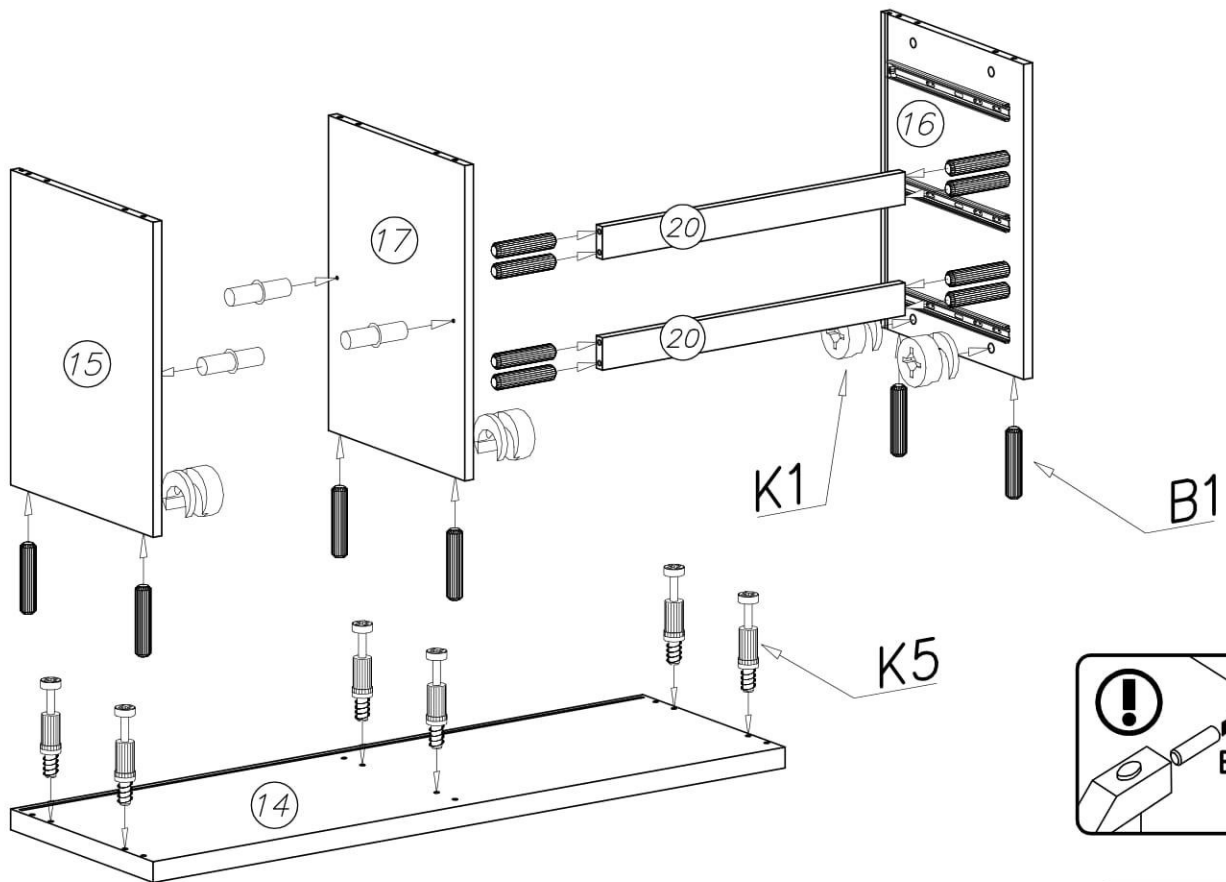
H22



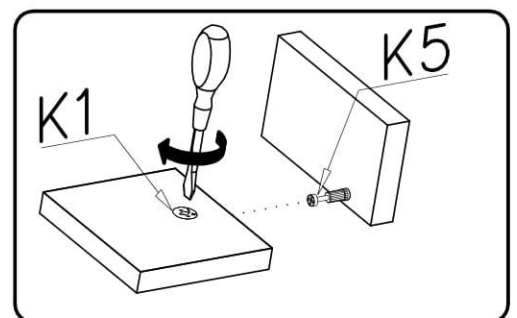
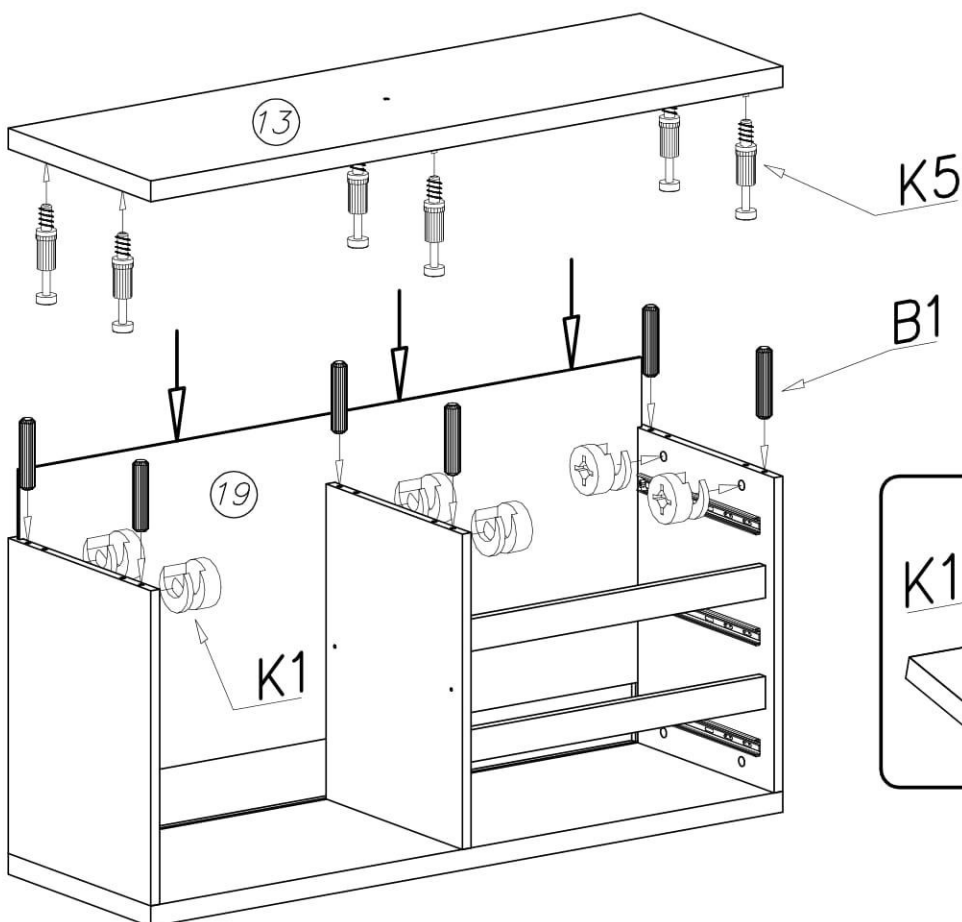
H22

G34

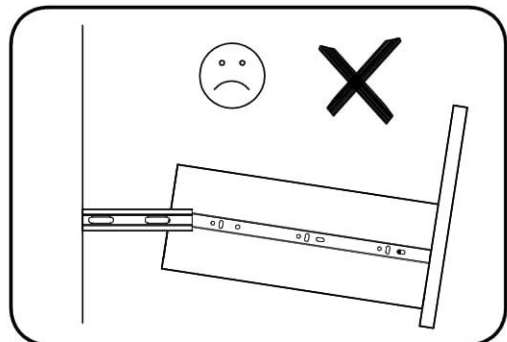
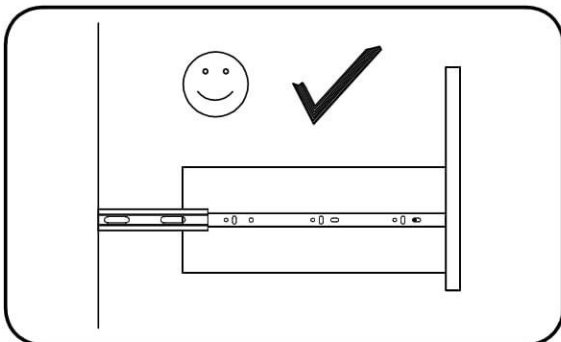
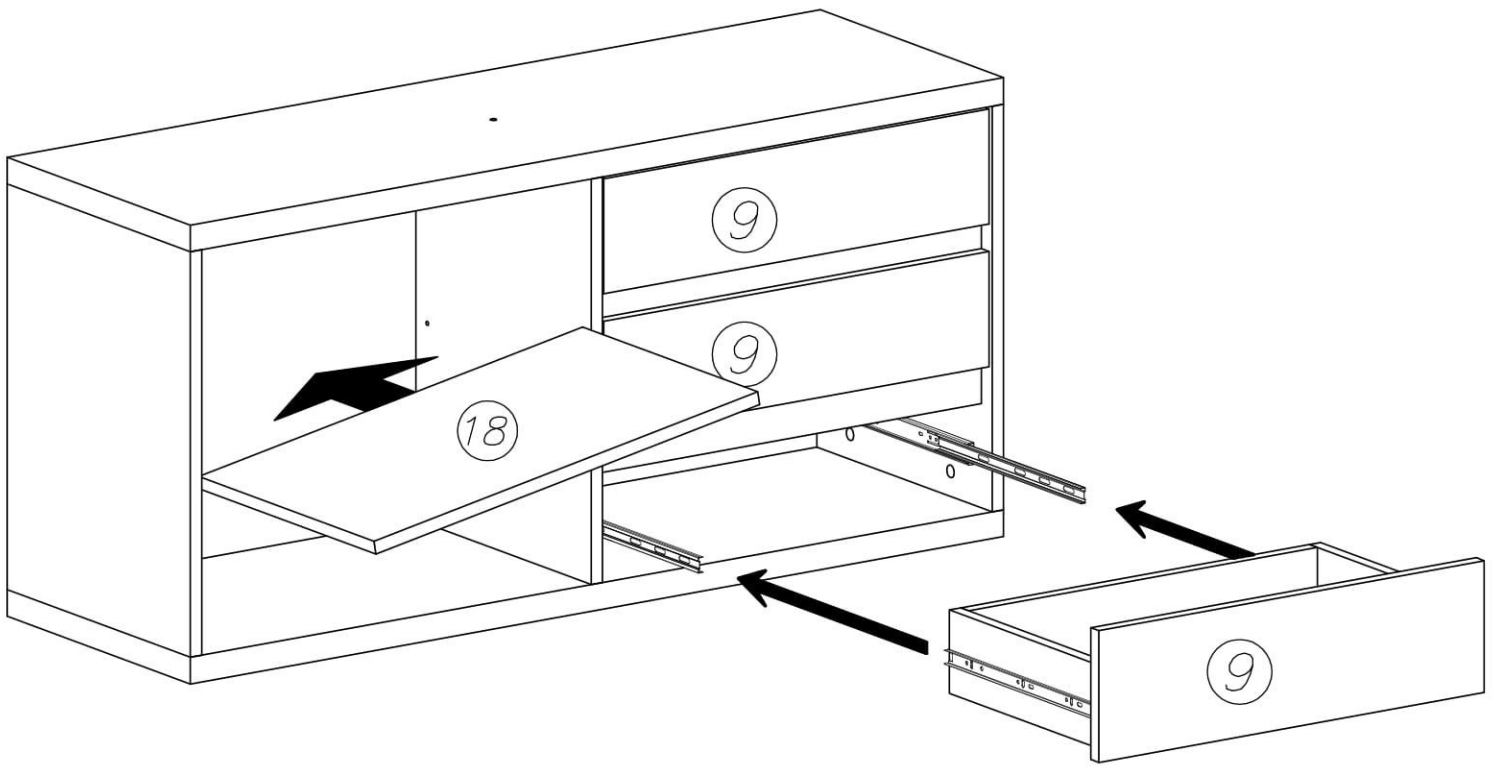
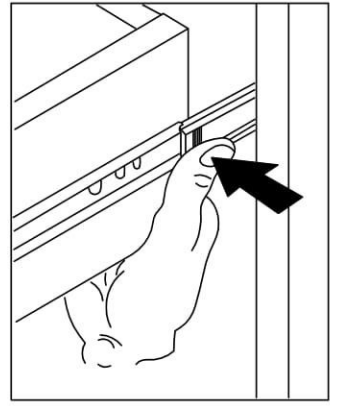
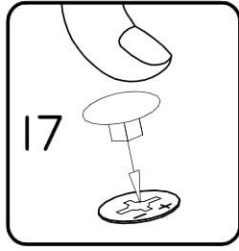
3



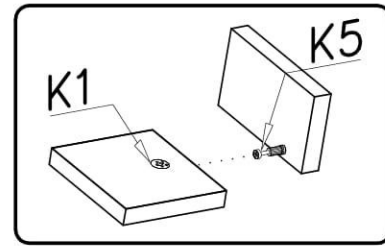
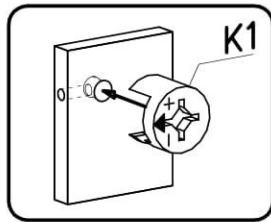
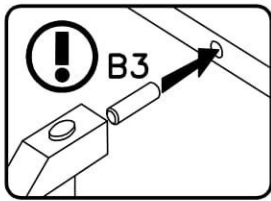
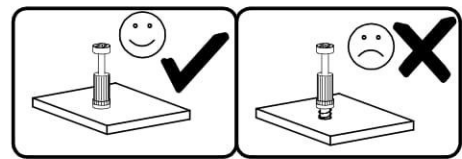
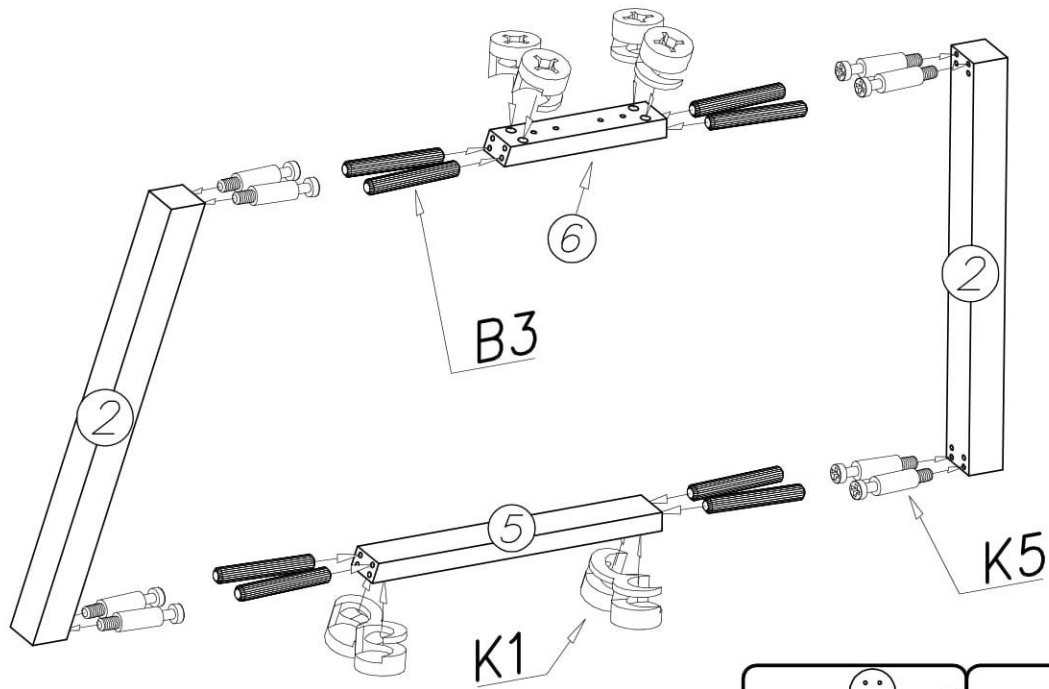
4



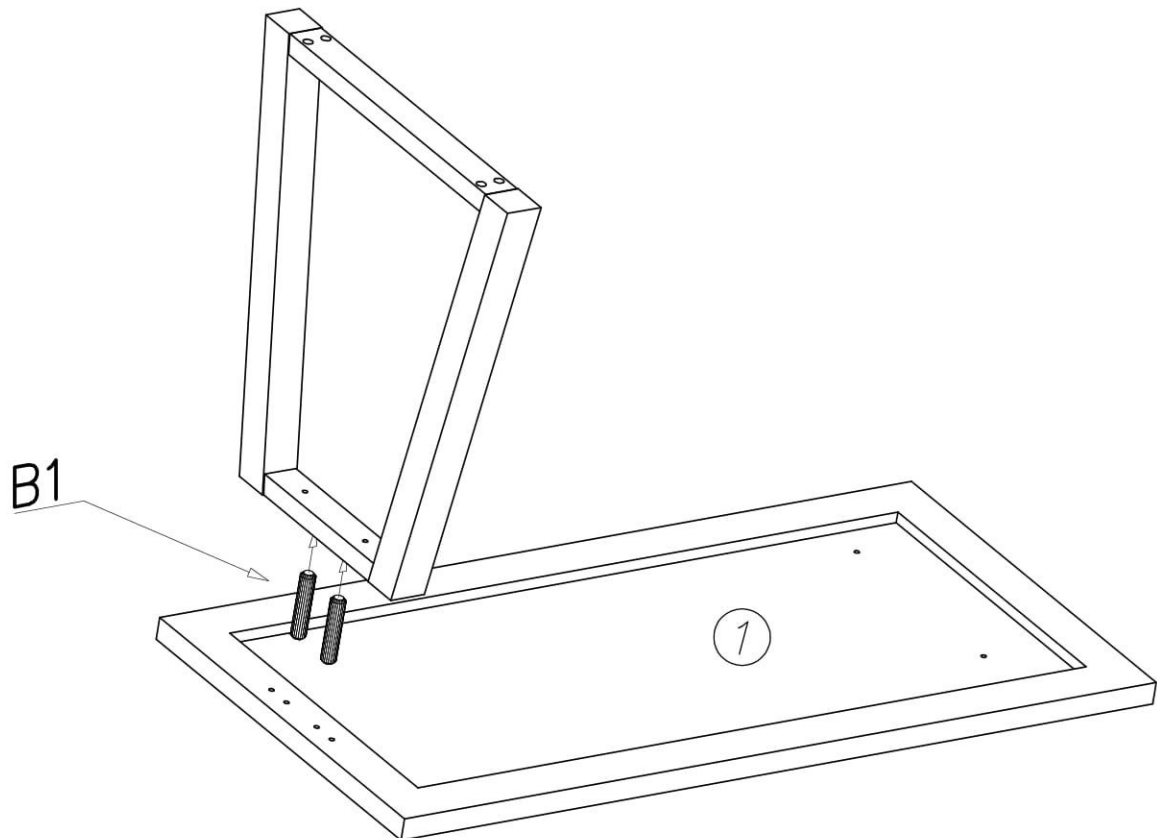
5



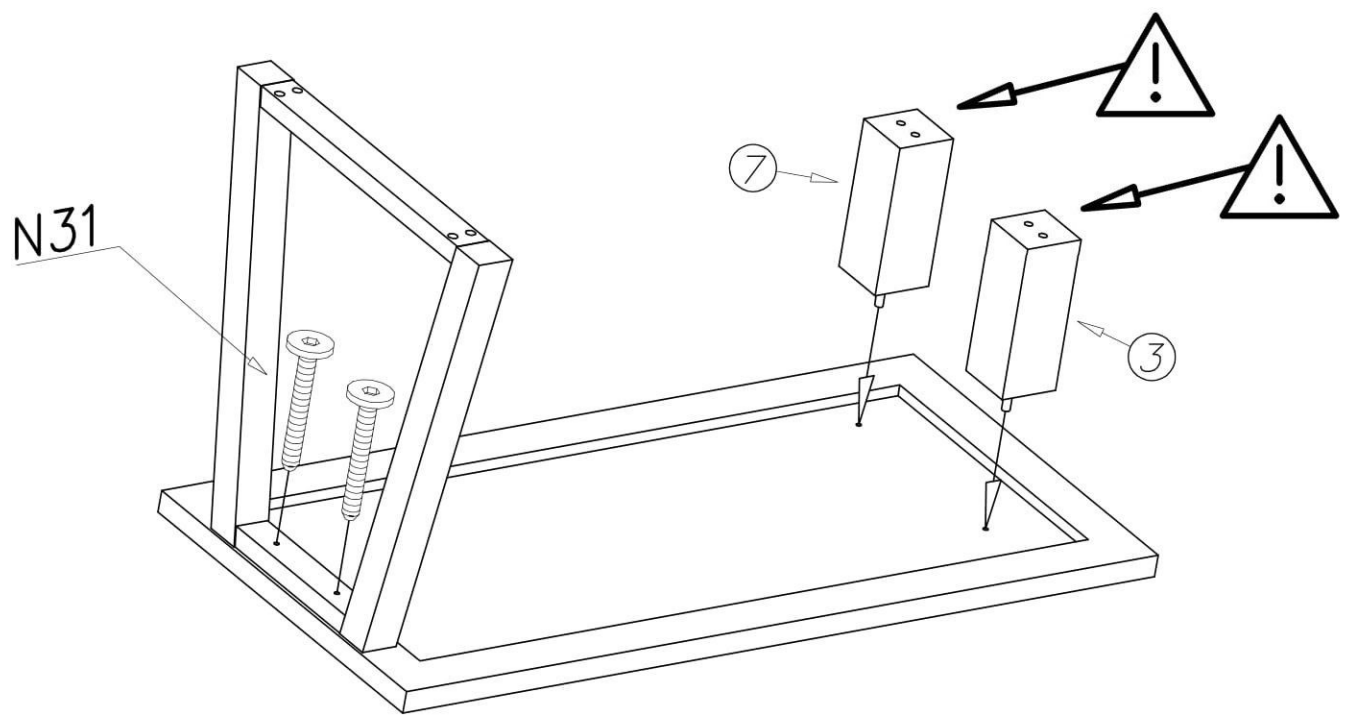
6



7



8



9

