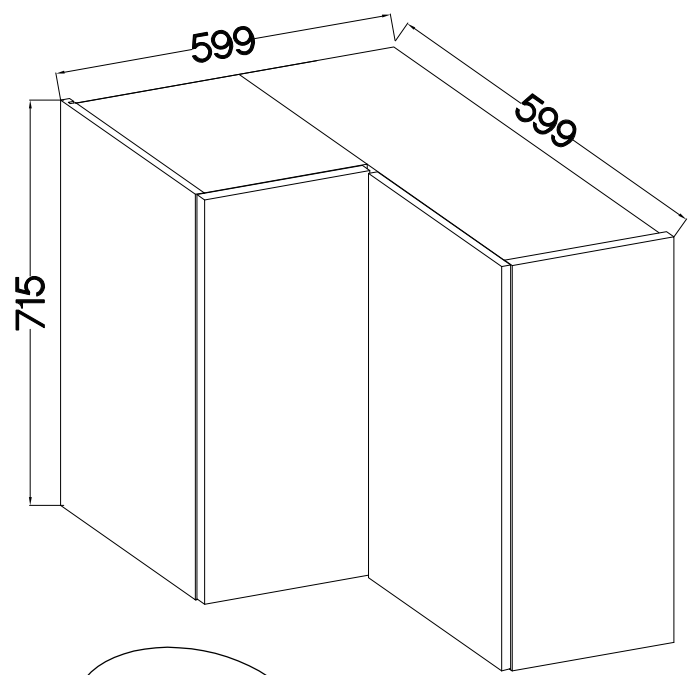
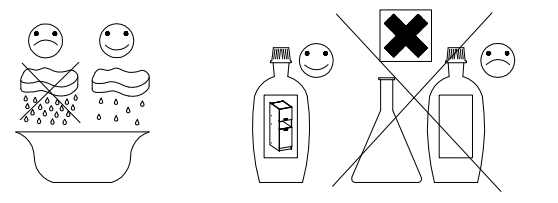
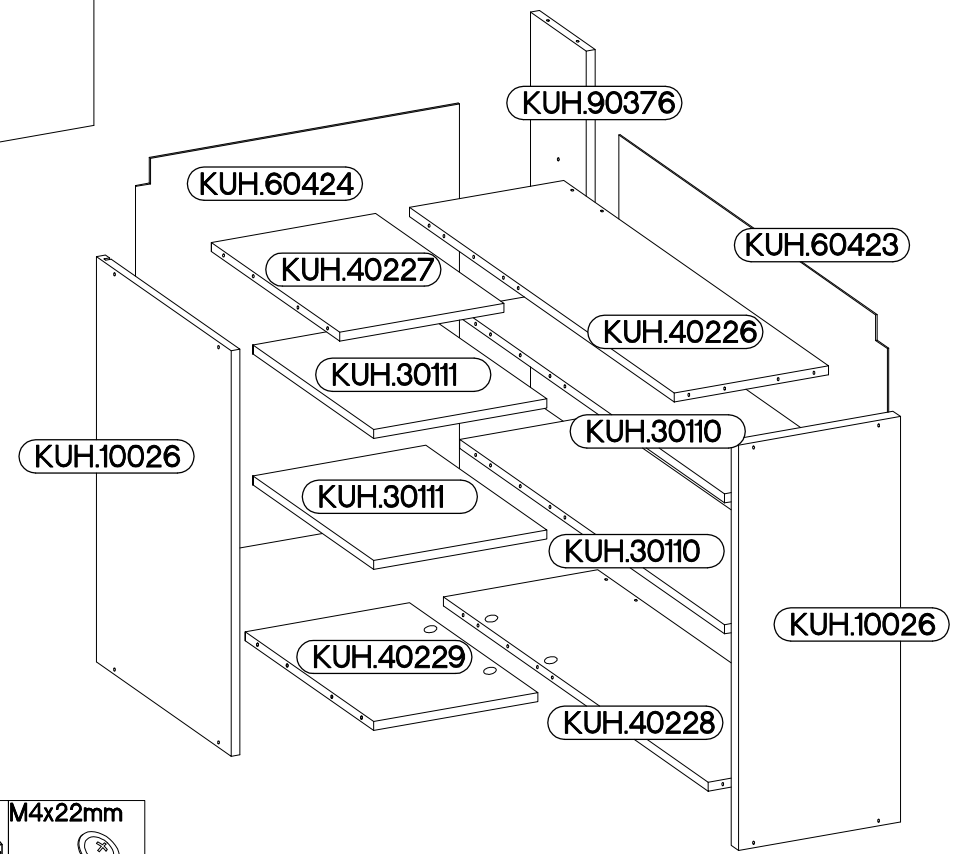


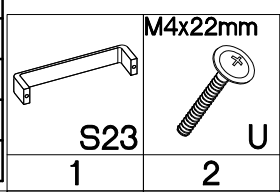
60x60 GN-72 (90°) 2F

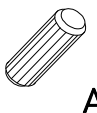
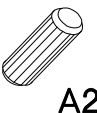


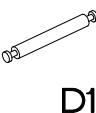
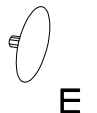


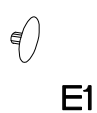


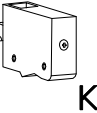





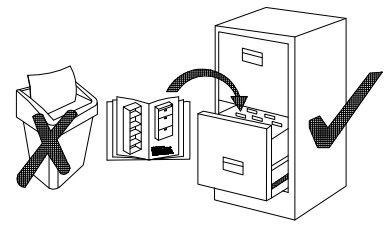
max. 5kg
 KUH.30110
 KUH.30111
 KUH.40228
 KUH.40229



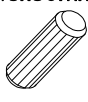
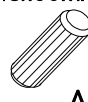


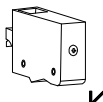

Ersatzteil Nummer	Dimension
KUH.10026 x2	715x290x16
KUH.30110 x2	570x244x16
KUH.30111 x2	310x260x16
KUH.40426	570x276x16
KUH.40427	294x276x16
KUH.40428	570x276x16
KUH.40429	294x276x16
KUH.60423	713x578x2,5
KUH.60424	713x578x2,5
KUH.90376	681x120x16

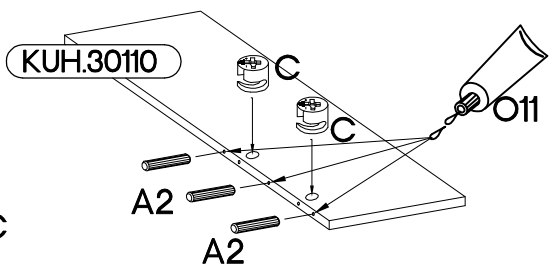
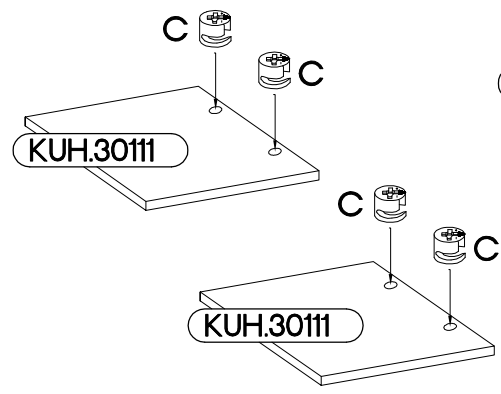
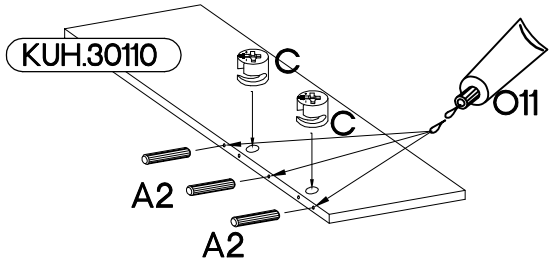
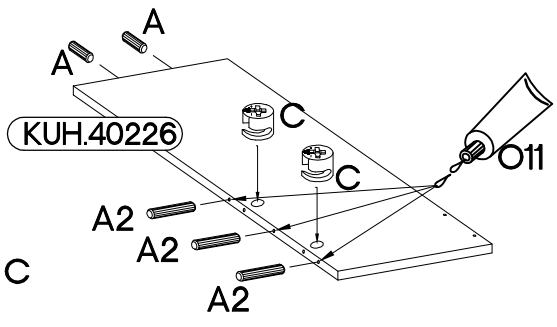
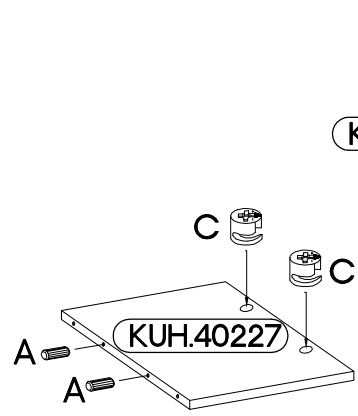
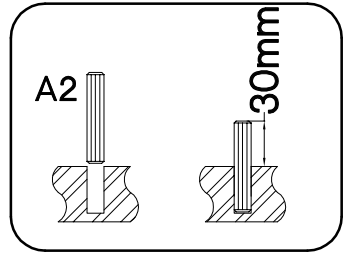
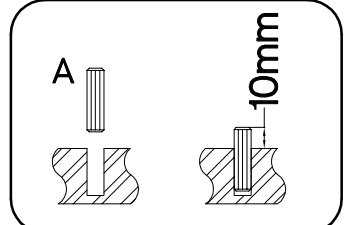
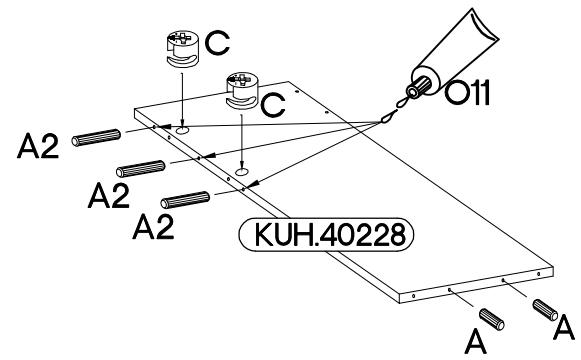
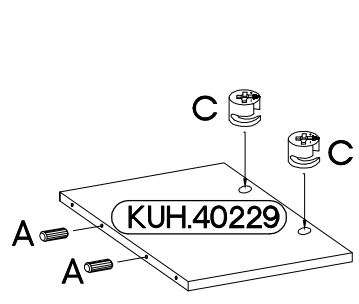
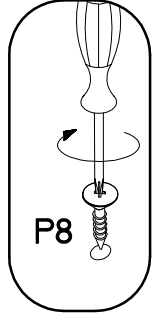
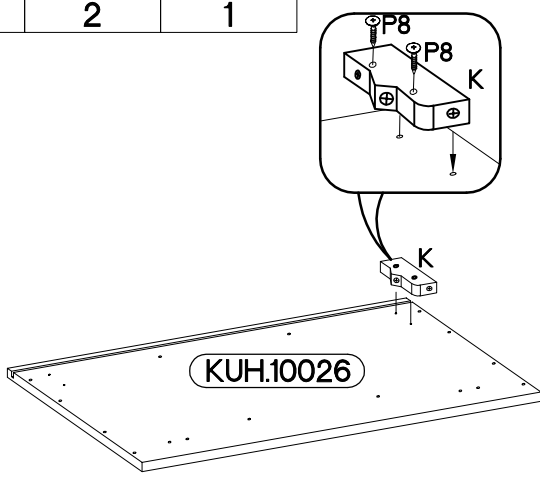
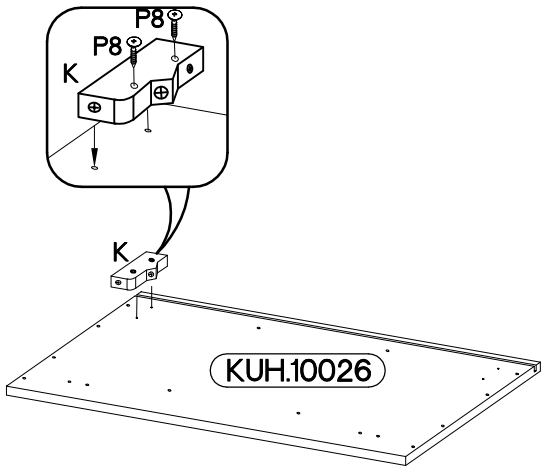
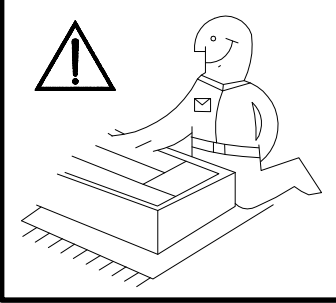


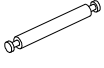

 A 8	 A2 12	 B 12	 C 16	 D12 8	 E 16	 O11 1	 P5 8
 E1 12	 HG11 4	 J 10	 K 2	 O 1	 P11 30-35	 P8 4	

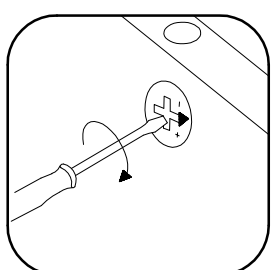
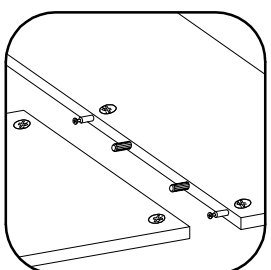
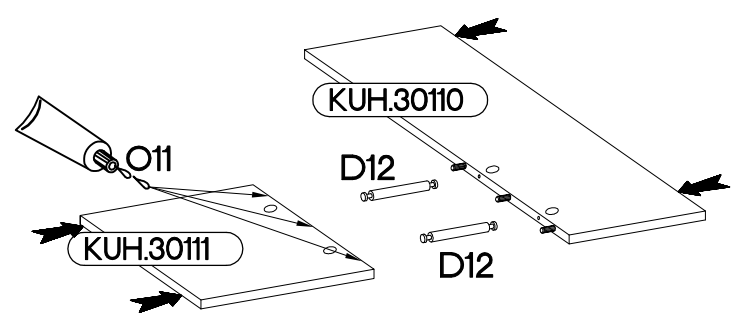
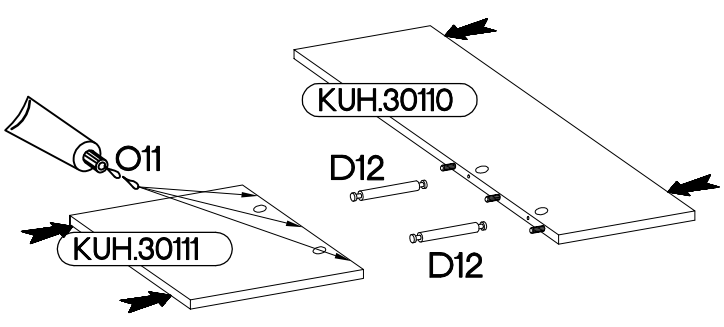
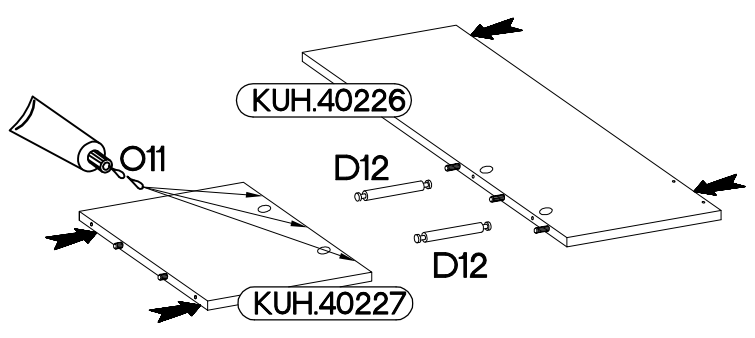
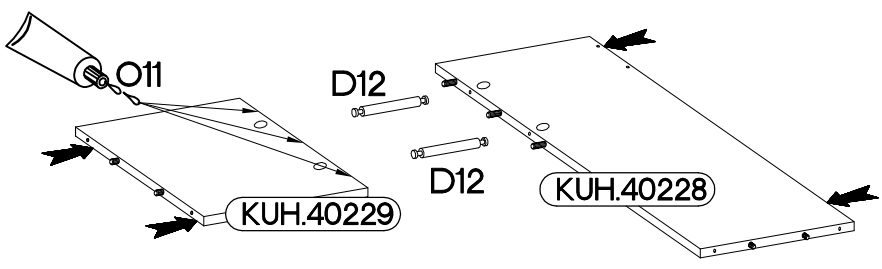
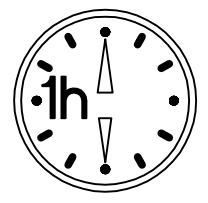
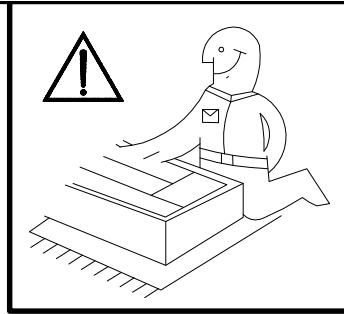
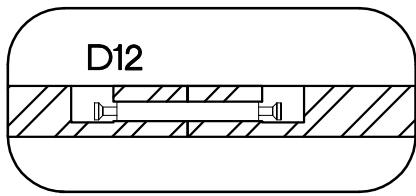


ISM-KUH-02071

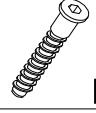
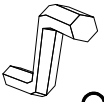

$\pm 8 \times 30 \text{mm}$  A	$\pm 8 \times 60 \text{mm}$  A2	$\pm 15/12 \text{mm}$  C	$\pm 4.0 \times 30 \text{mm}$  P8	 K	0,05  O11
8	12	16	4	2	1

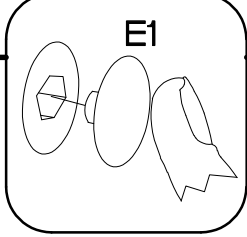
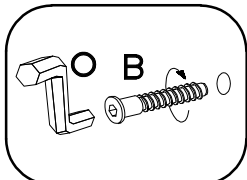
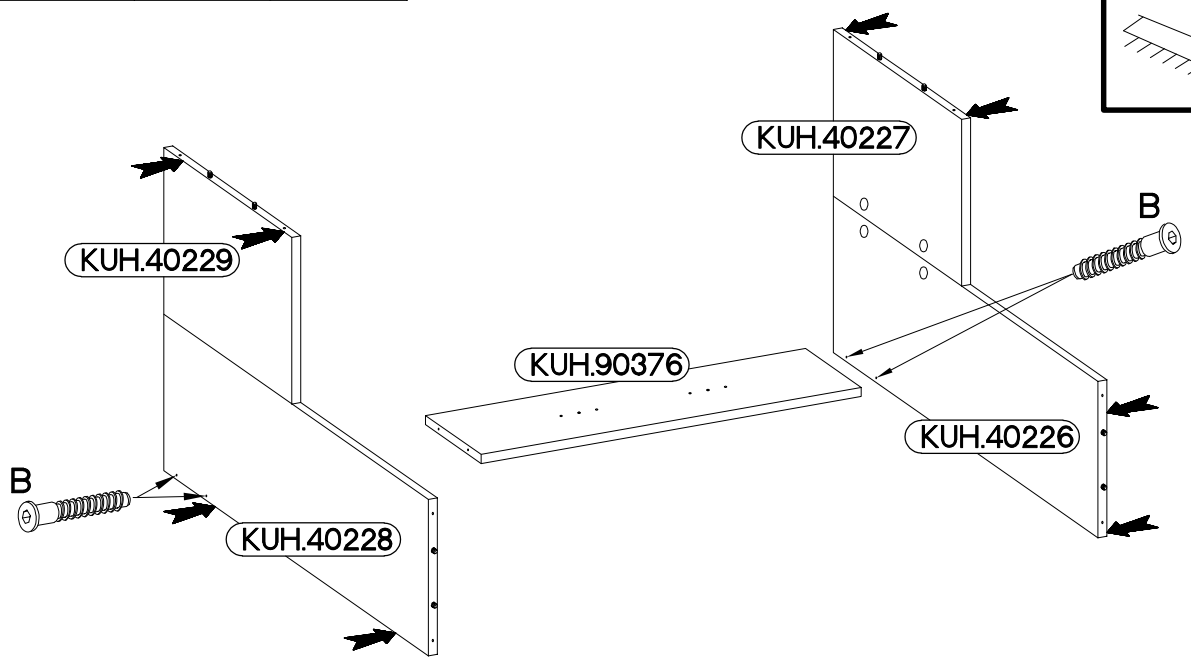
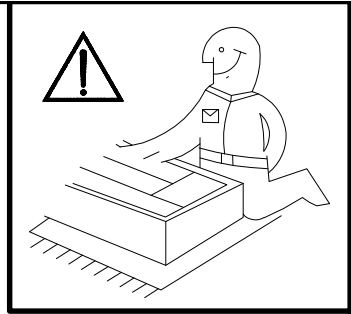


L=40mm	0,05
	
D12	O11
8	1

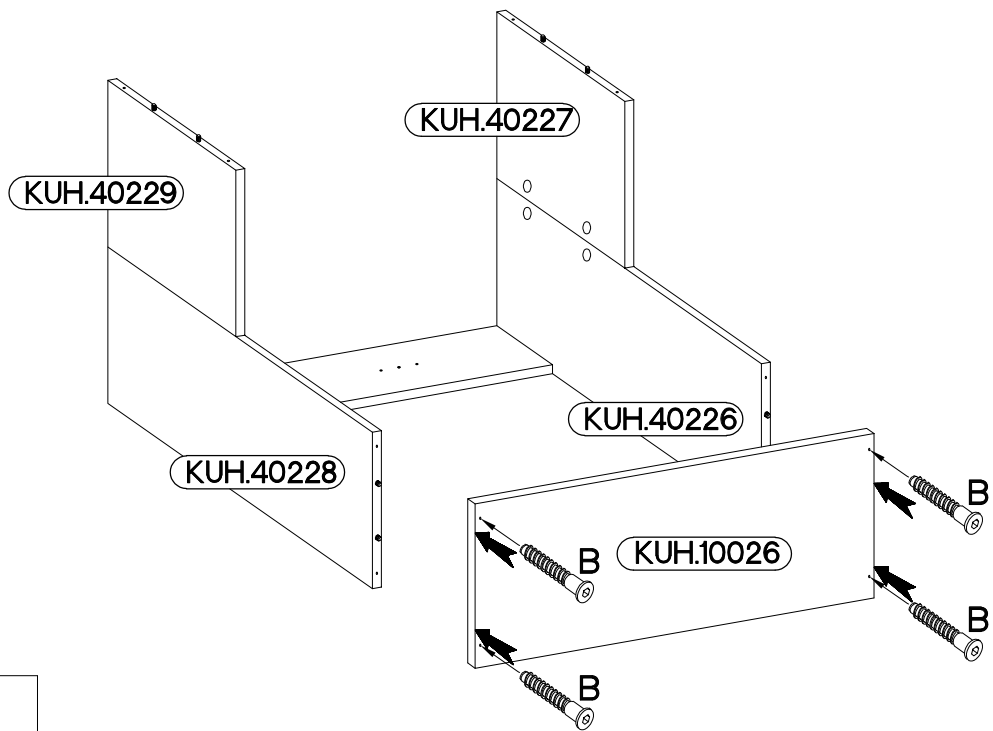



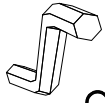

3

6,4 x 50mm		
		
B	O	E1
4	1	4



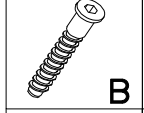
4



6,4 x 50mm		
		
B	O	E1
4	1	4

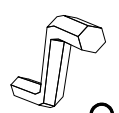
5

6.4 x 50mm



B

4



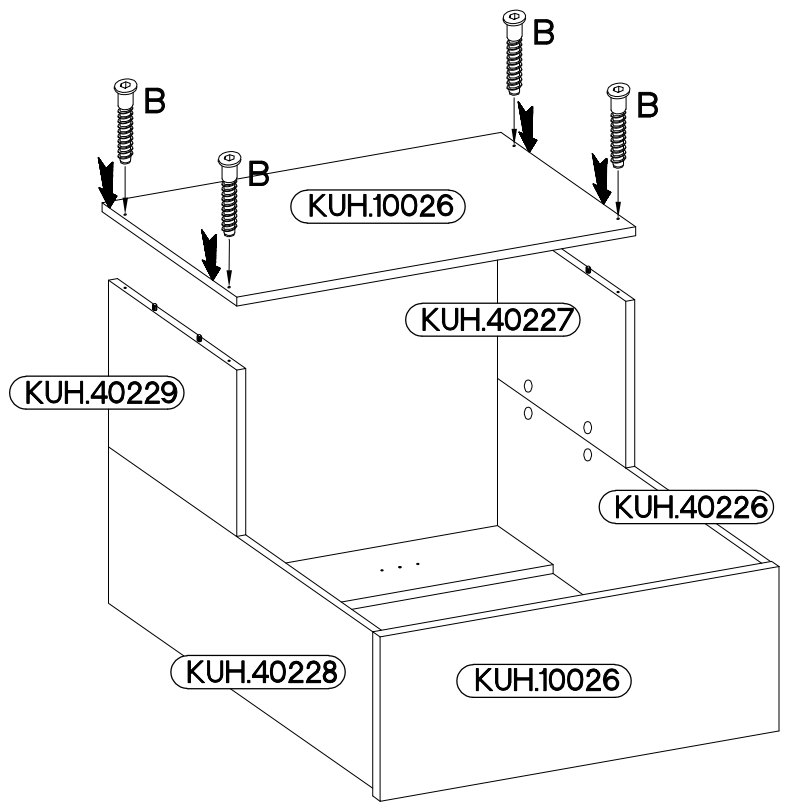
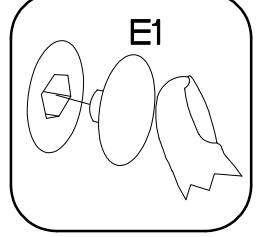
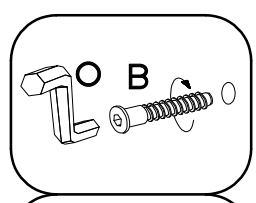
O

1



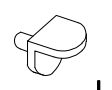
E1

4



6

±5/19mm



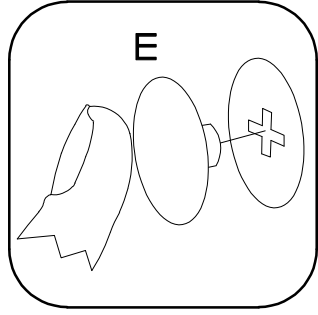
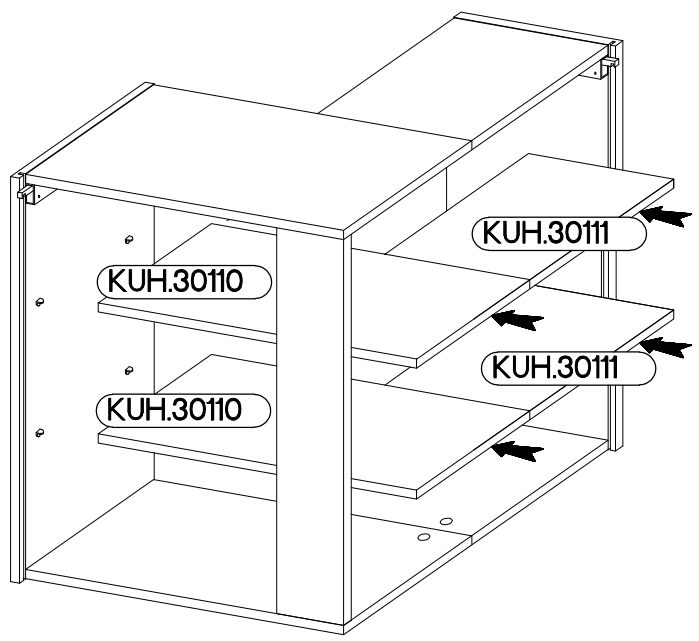
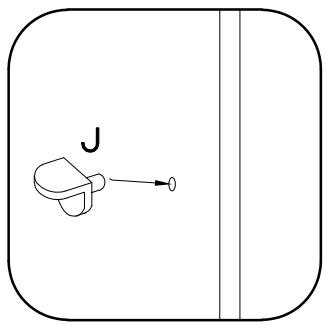
J

10



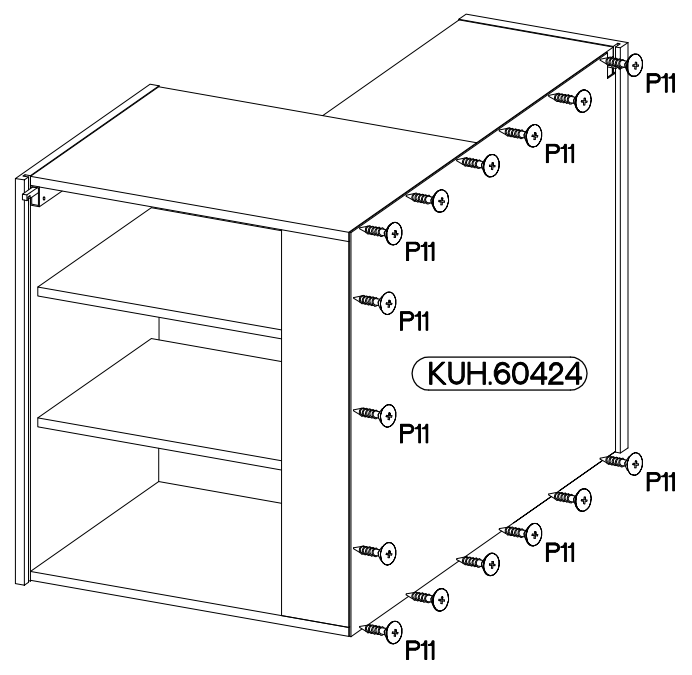
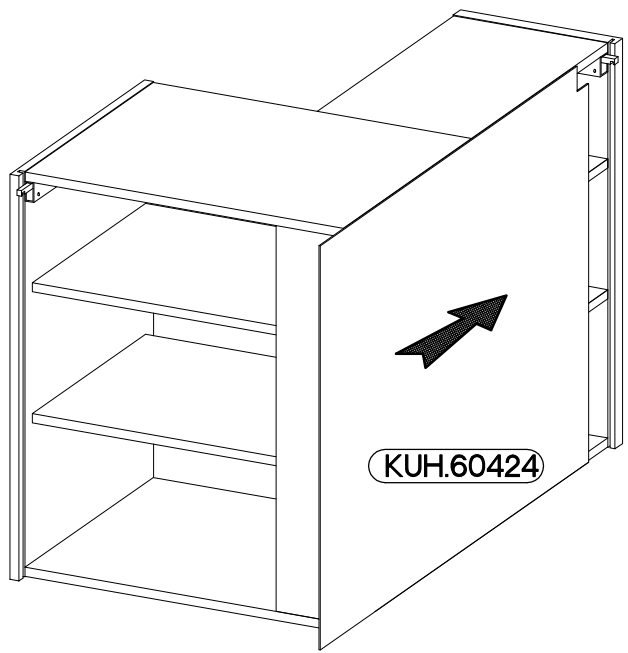
E

16



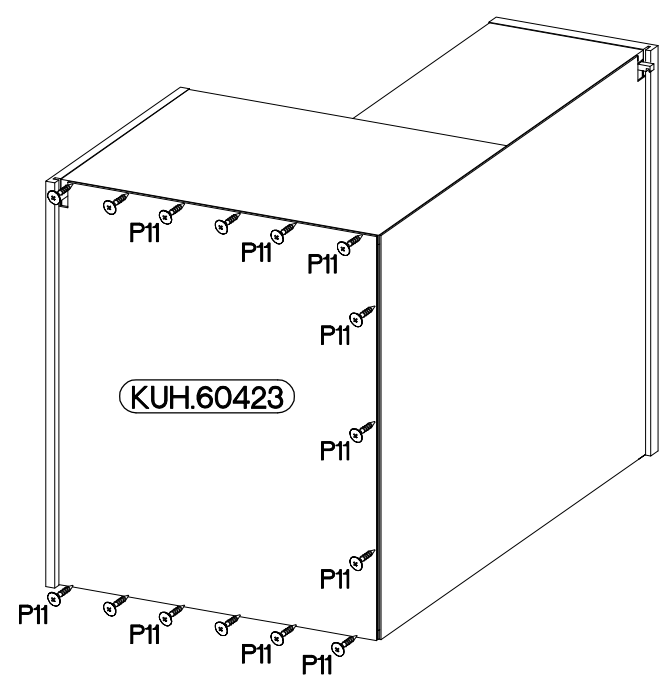
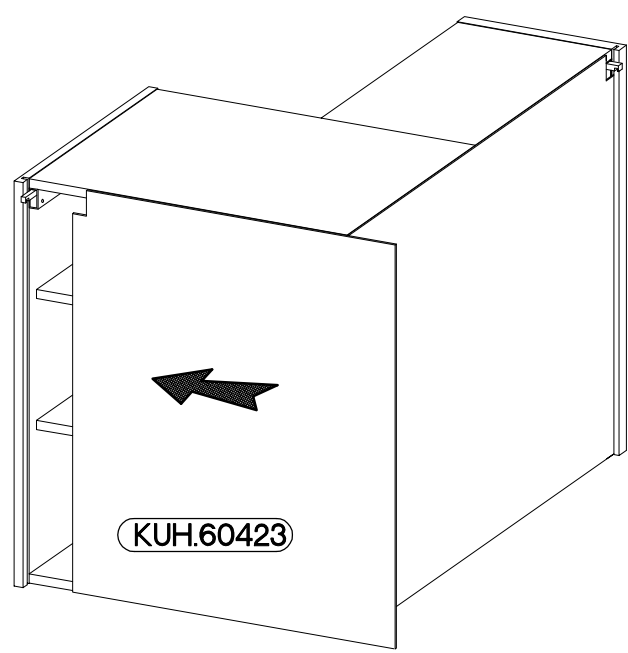
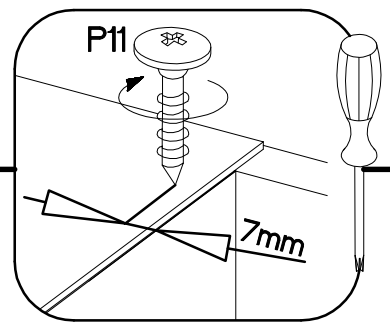
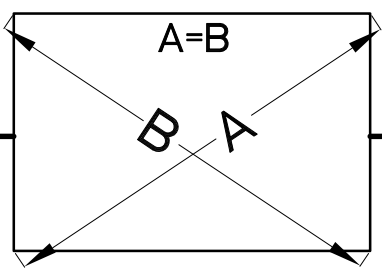
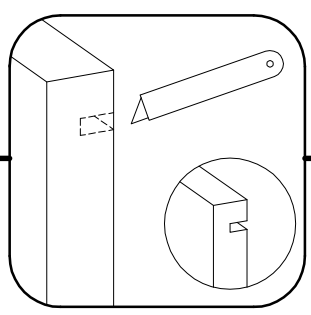
7

±3.0x16mm
P11
15

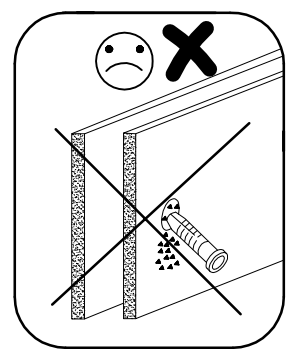
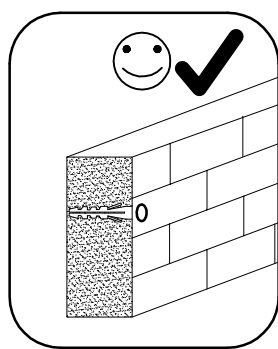
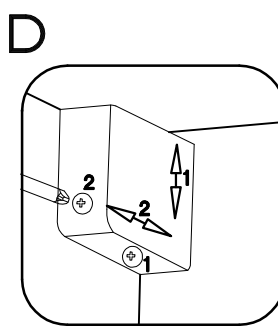
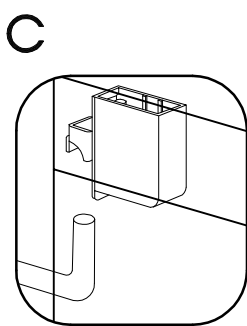
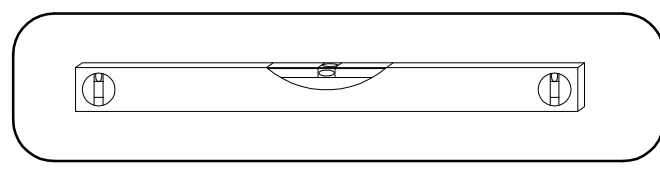
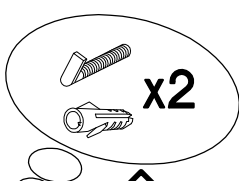
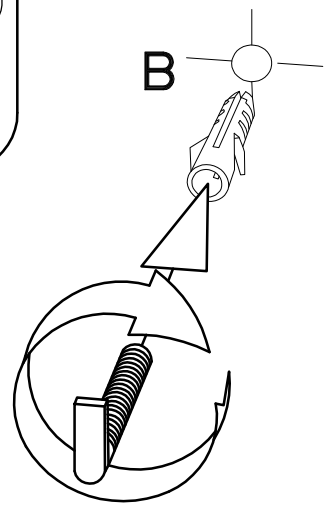
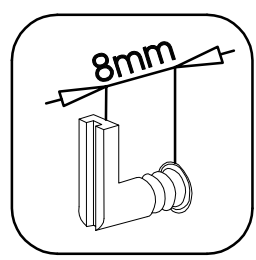
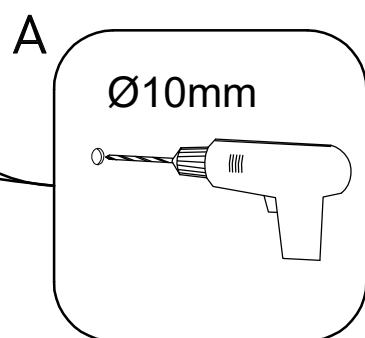
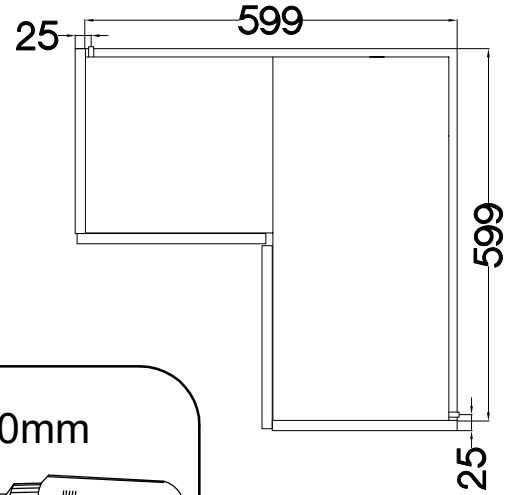
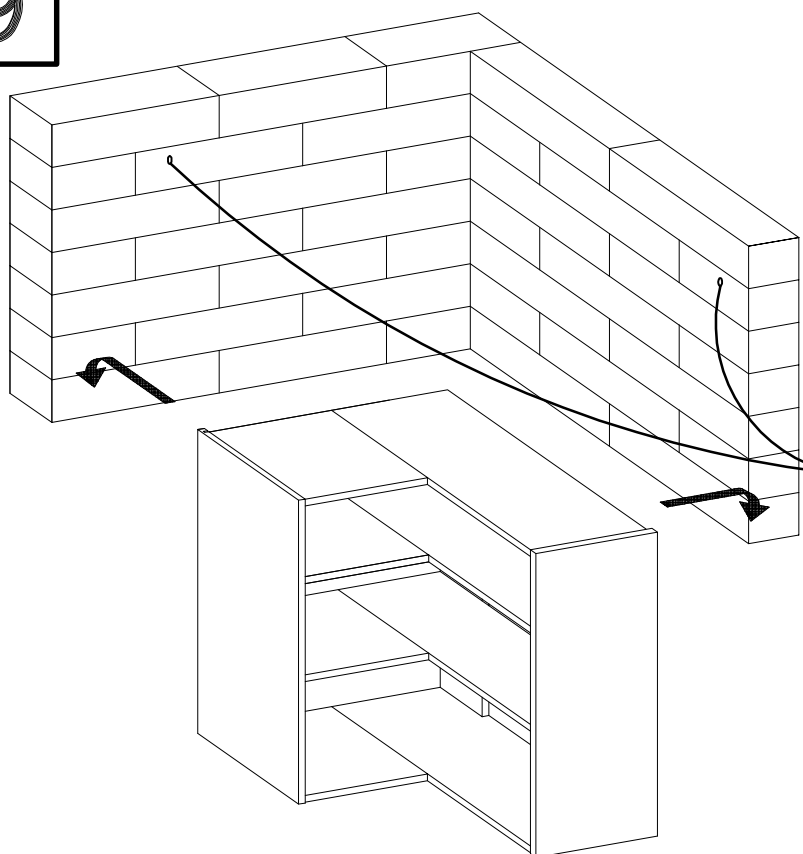


8

±3.0x16mm
P11
15



9



10

FRONT

