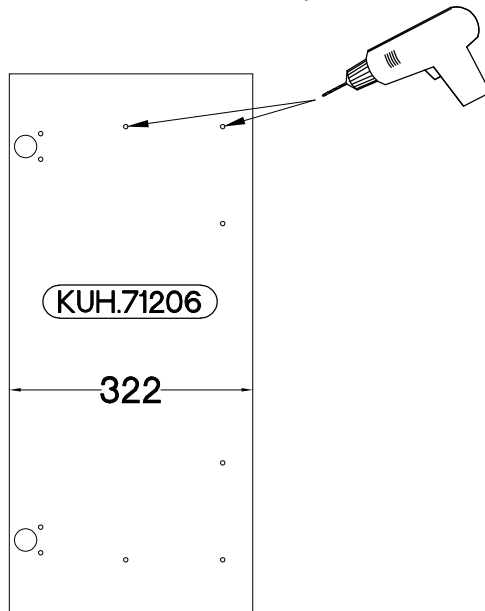
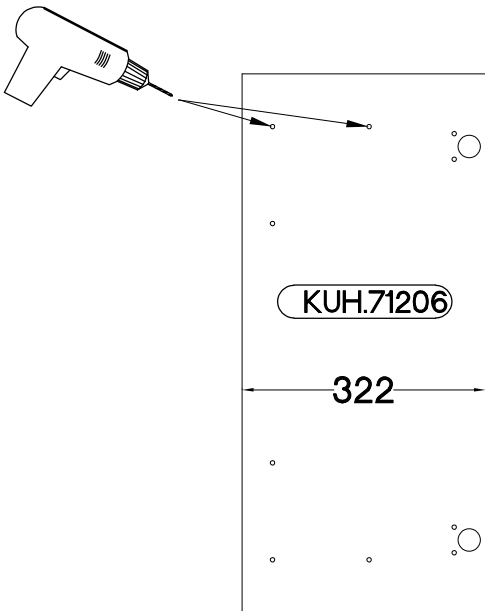
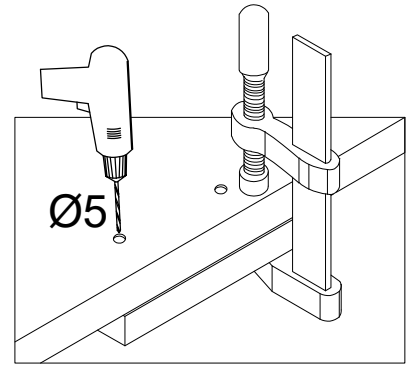
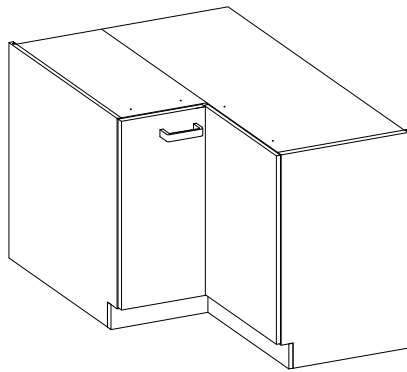
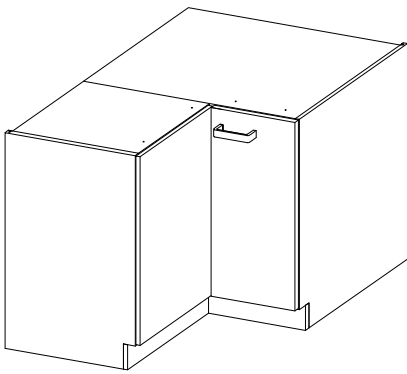
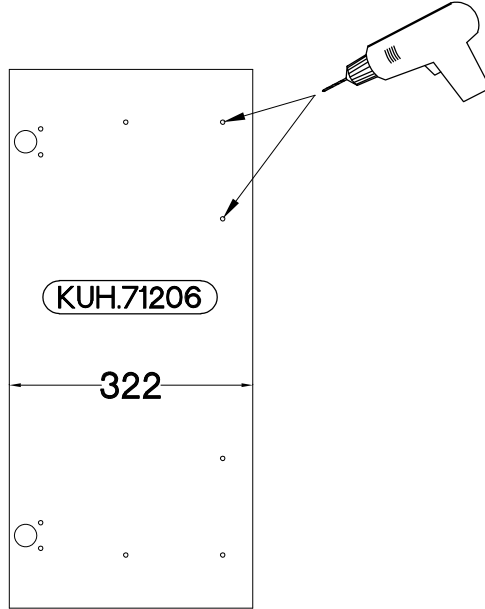
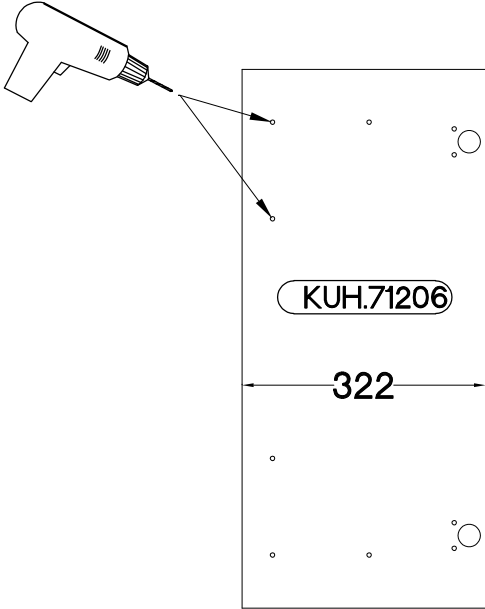
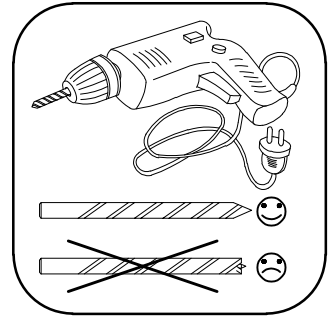
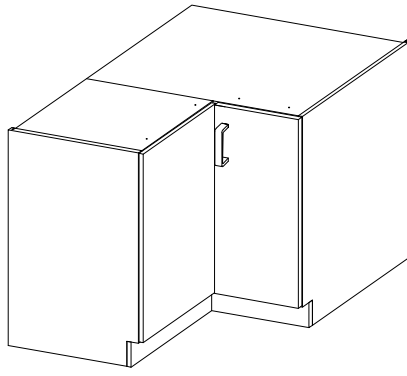
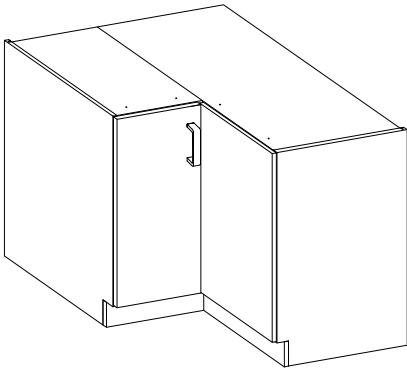




1

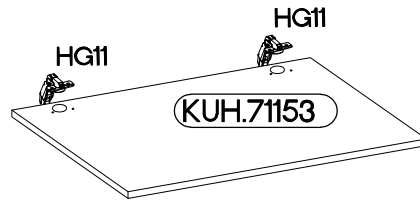
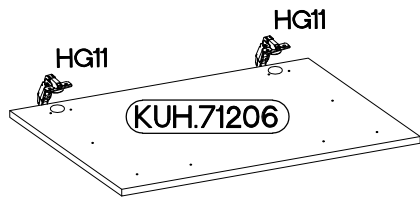
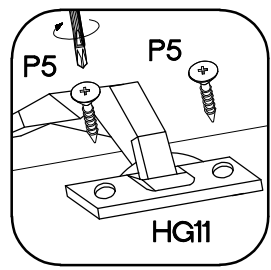
LEFT

RIGHT

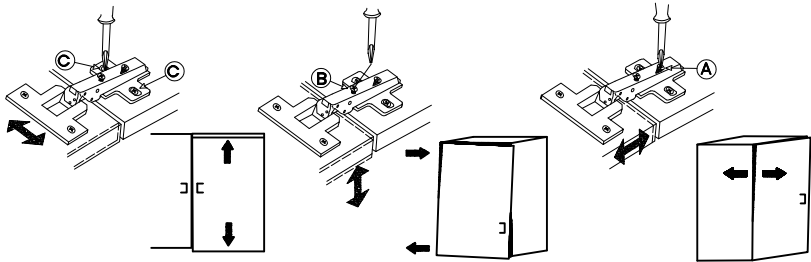
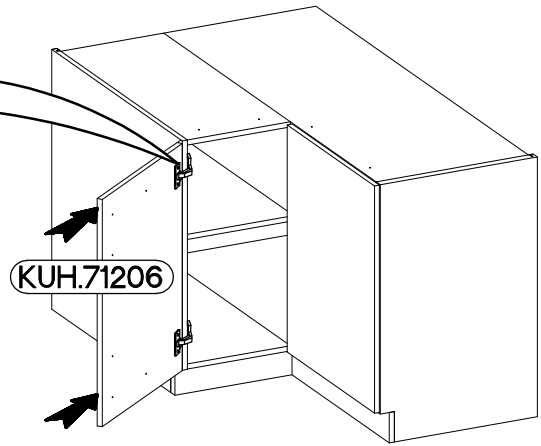
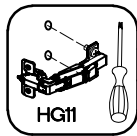
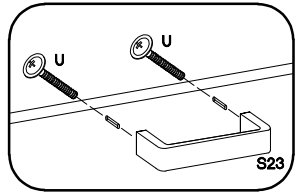
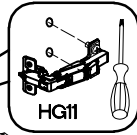
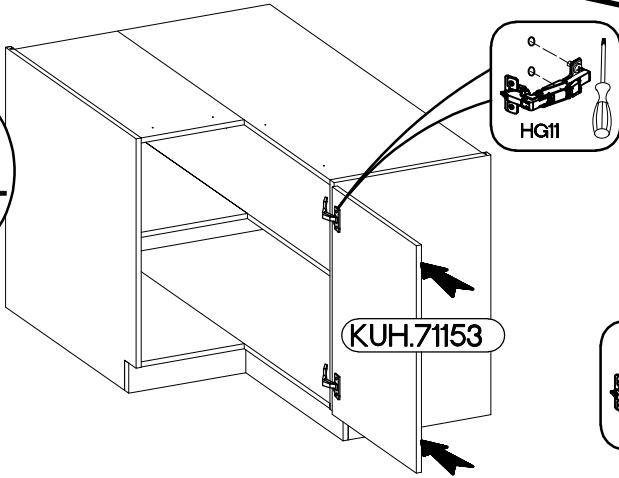
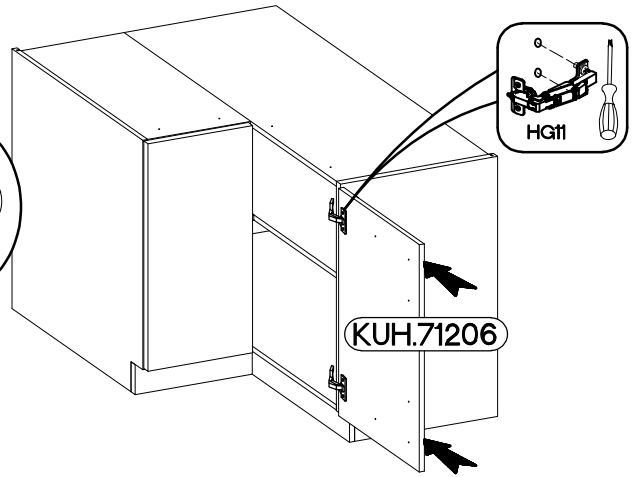
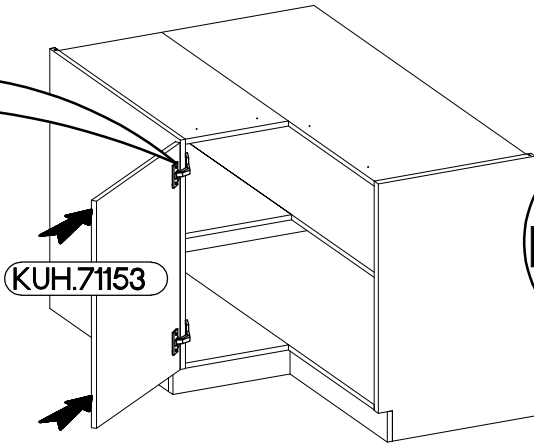


2

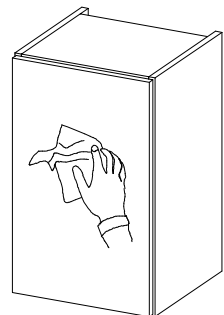
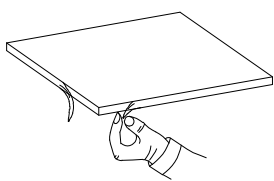
	+35/175 [CD]		+3.5x13mm
HG11		P5	
4		8	




3



VARIANT HIGH GLOSS



	M4x22mm
S23	U
1	2