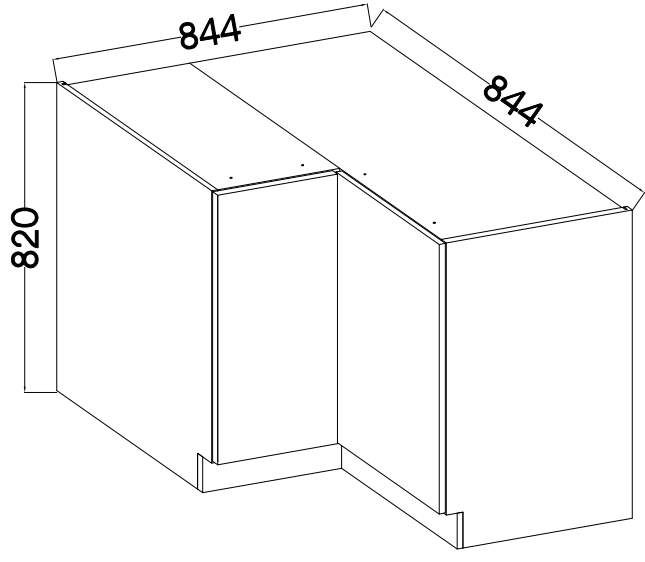


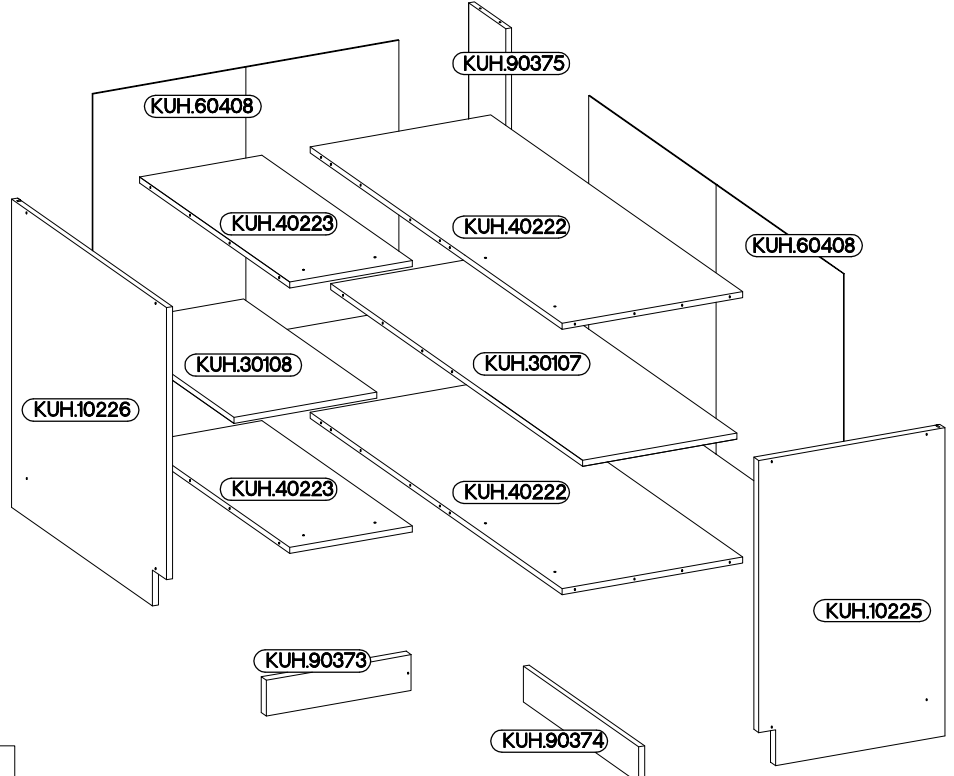
90x90 ND 2F BB



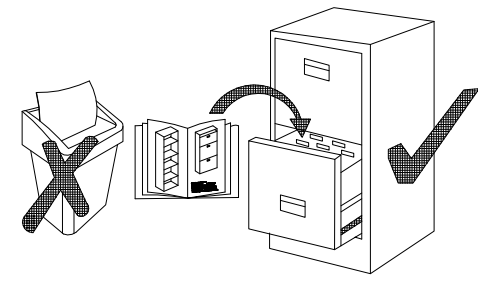
max. 10kg  
 KUH.30107  
 KUH.30108  
 KUH.40222  
 KUH.40223



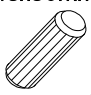
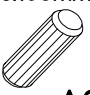
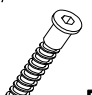



Ersatzteil Nummer	Dimension
KUH.10225	815x500x16
KUH.10226	815x500x16
KUH.30107	814x414x16
KUH.30108	384x430x16
KUH.40222 x2	814x485x16
KUH.40223 x2	329x485x16
KUH.60408 x2	713x822x2,5
KUH.90373	389x95x16
KUH.90374	373x95x16
KUH.90375	686x120x16

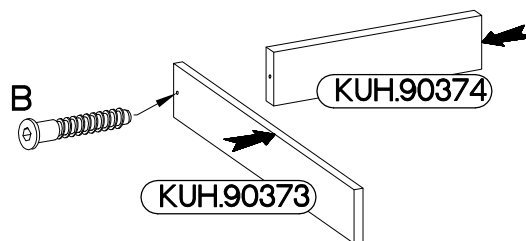
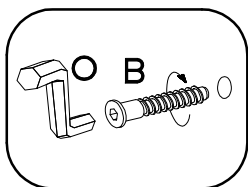
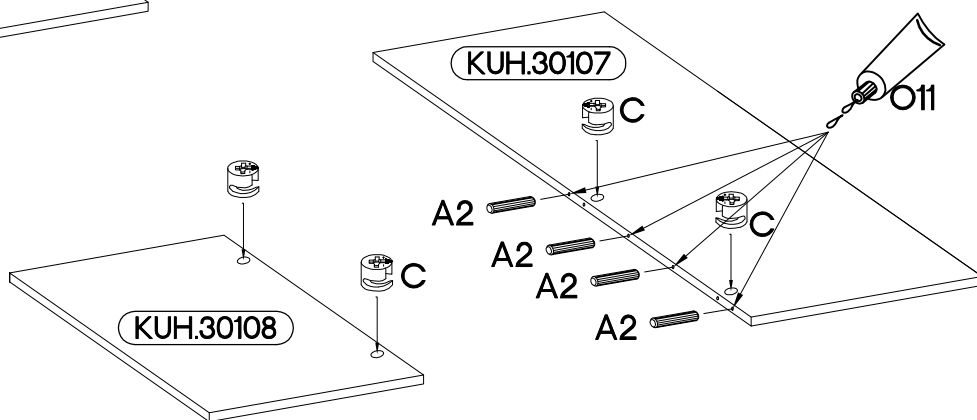
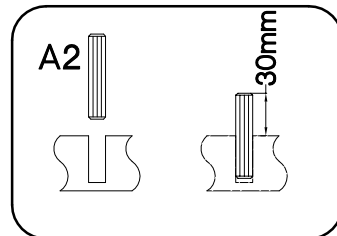
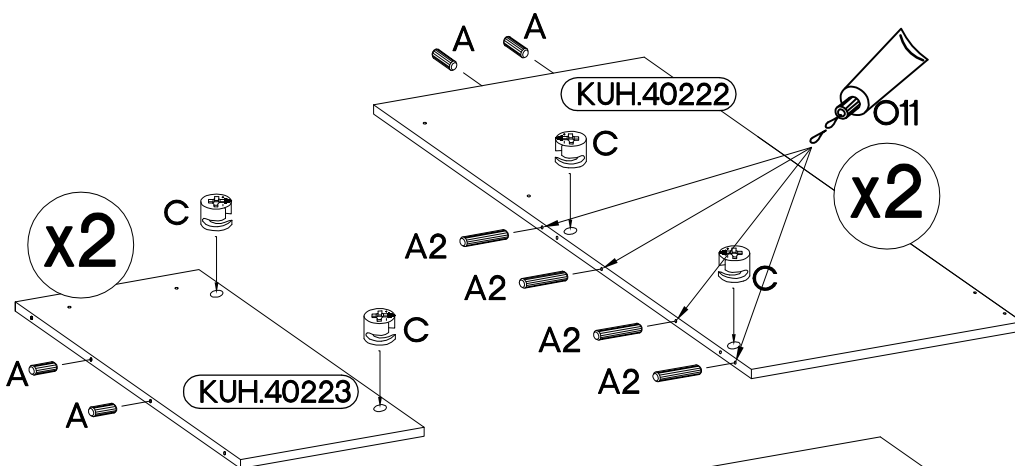
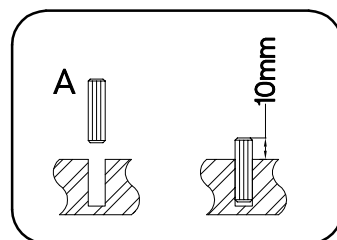
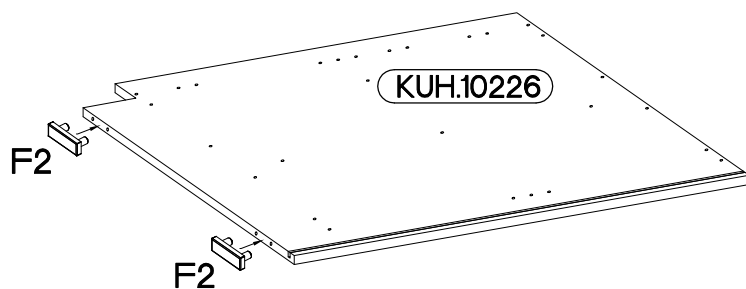
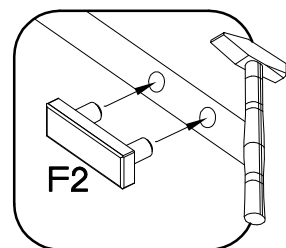
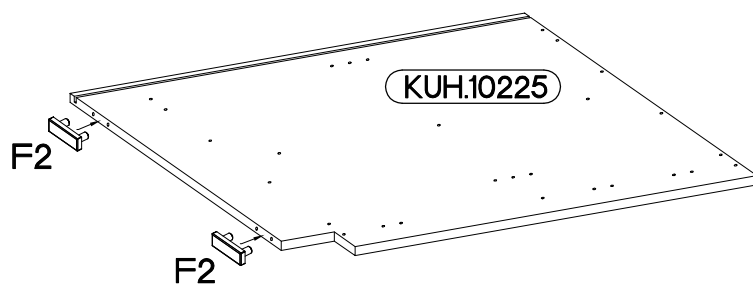
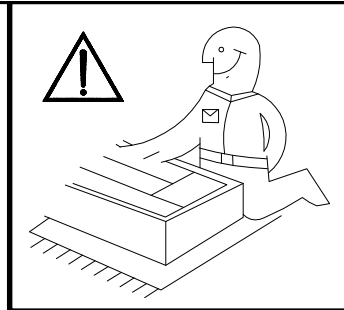


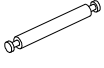

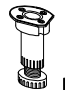

$\pm 8 \times 30 \text{mm}$ A	$\pm 8 \times 60 \text{mm}$ A2	S23	M4x22mm U				
8	12	1	2				
6,4 x 50mm B	$\pm 5 / 12 \text{mm}$ C	L=40mm D12				6.5x48x16 F2	$\pm 35 / 175$ HG11
13	12	6	8	8	4	4	4
L=100-140mm F25	$\pm 5 / 19 \text{mm}$ J			$\pm 4.0 \times 45 \text{mm}$ P4	$\pm 3.5 \times 13 \text{mm}$ P5	$\pm 3.0 \times 16 \text{mm}$ P11	$\pm 4.0 \times 35 \text{mm}$ R3
1	5	1	1	4	12	30-35	4

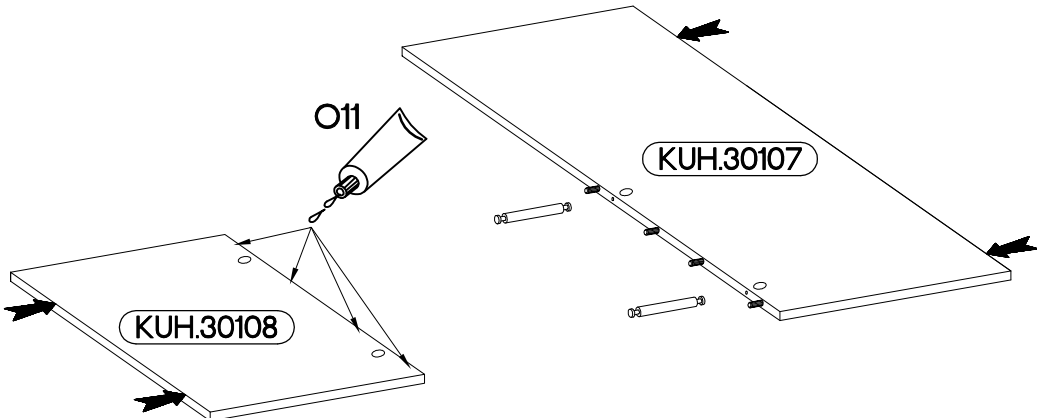
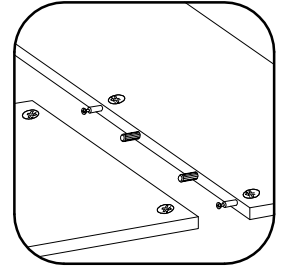
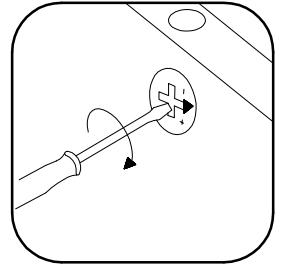
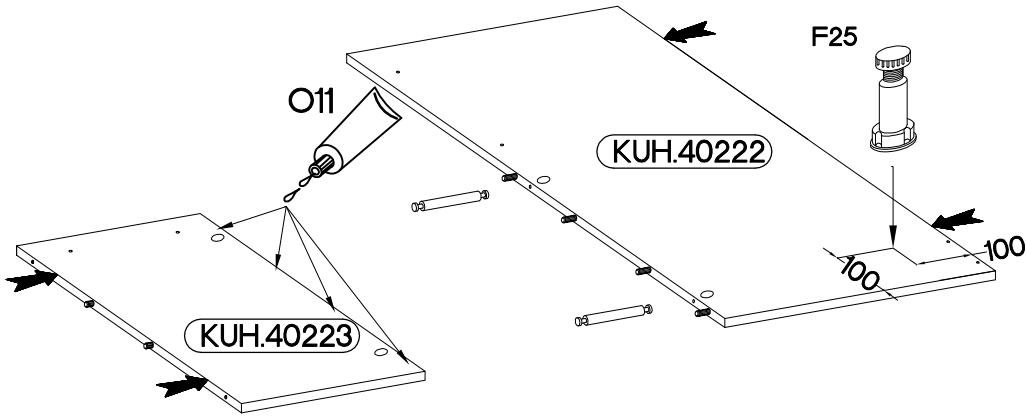
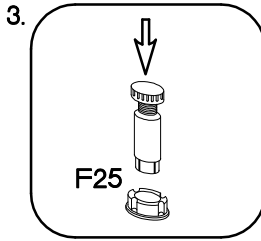
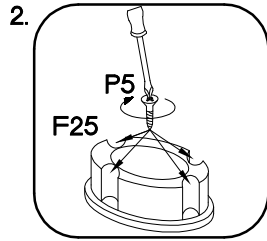
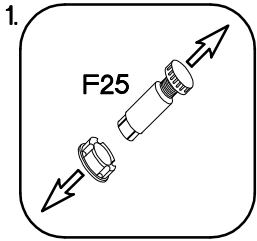
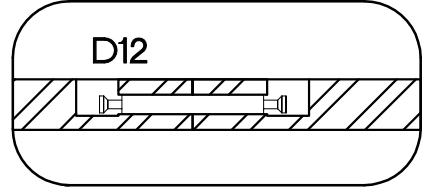
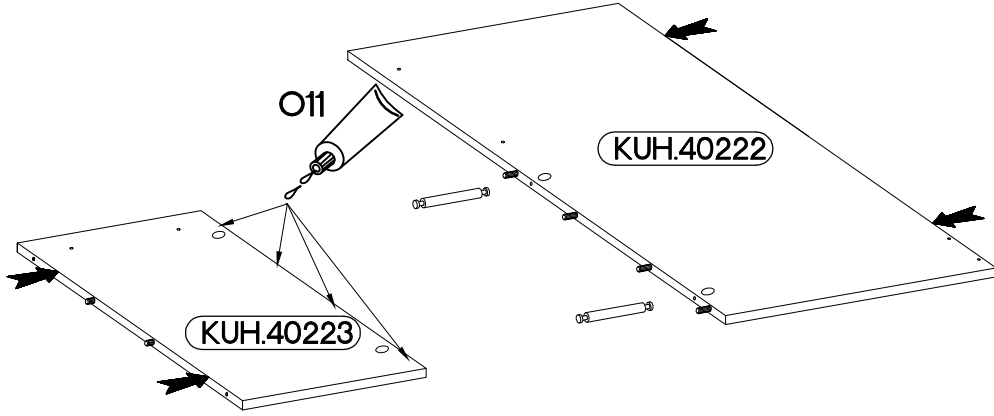
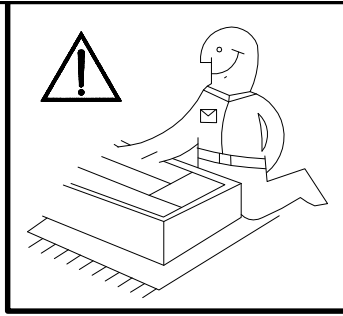


ISM-KUH-02072


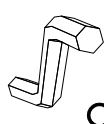
 <p>†8x30mm A</p>	 <p>†8x60mm A2</p>	 <p>6,4 x 50mm B</p>	 <p>†15/12mm C</p>	 <p>6.5x48x16 F2</p>	 <p>0,05 O11</p>
8	12	1	12	4	1

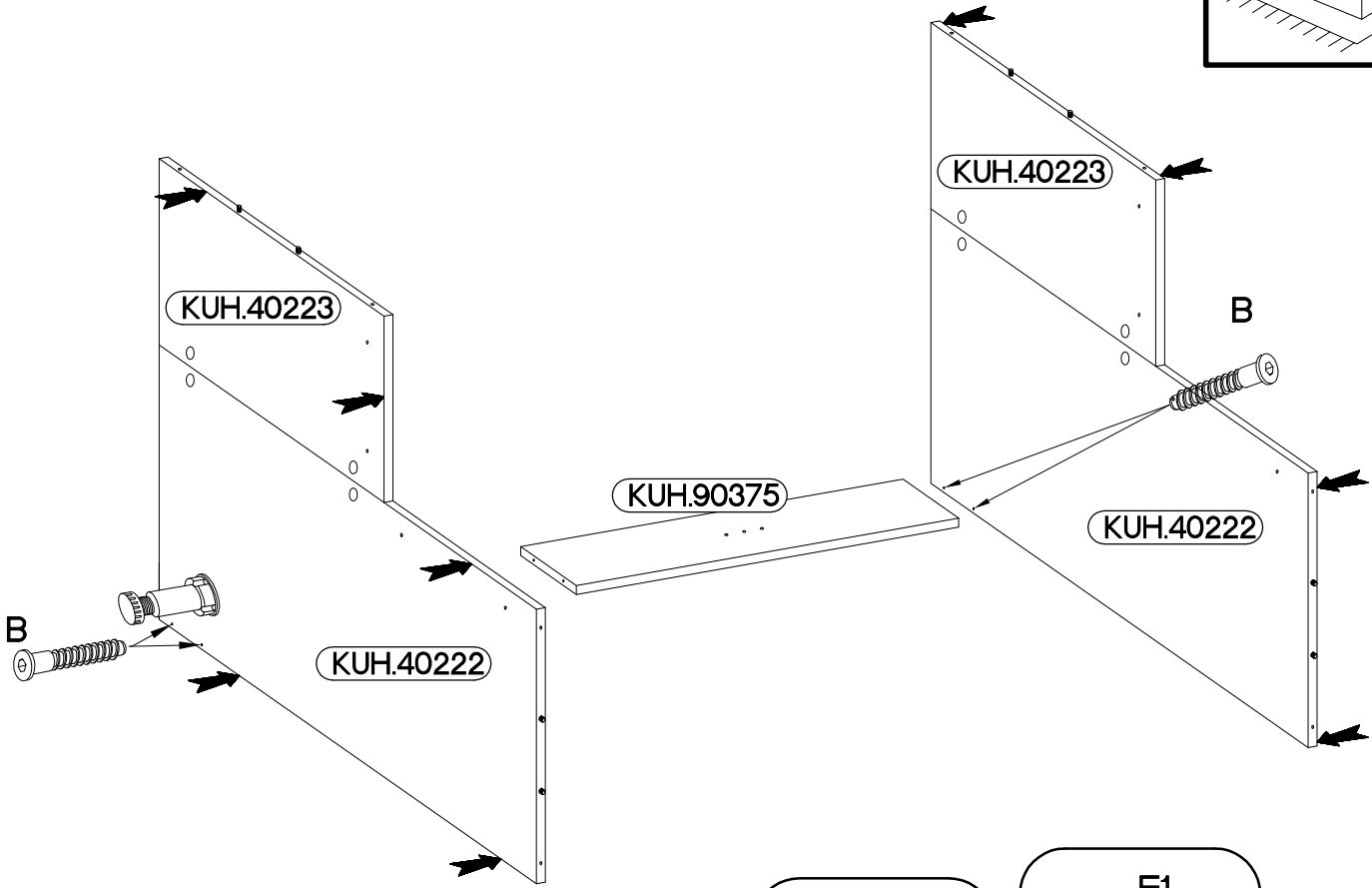
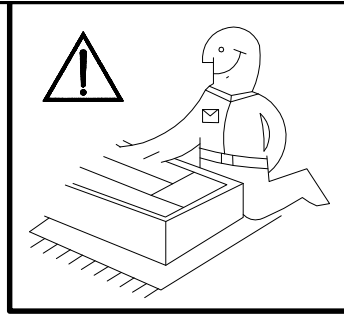


L=40mm 	0,05 	L=100-140mm 	±3.5x13mm 
D12 6	O11 1	F25 1	P5 4

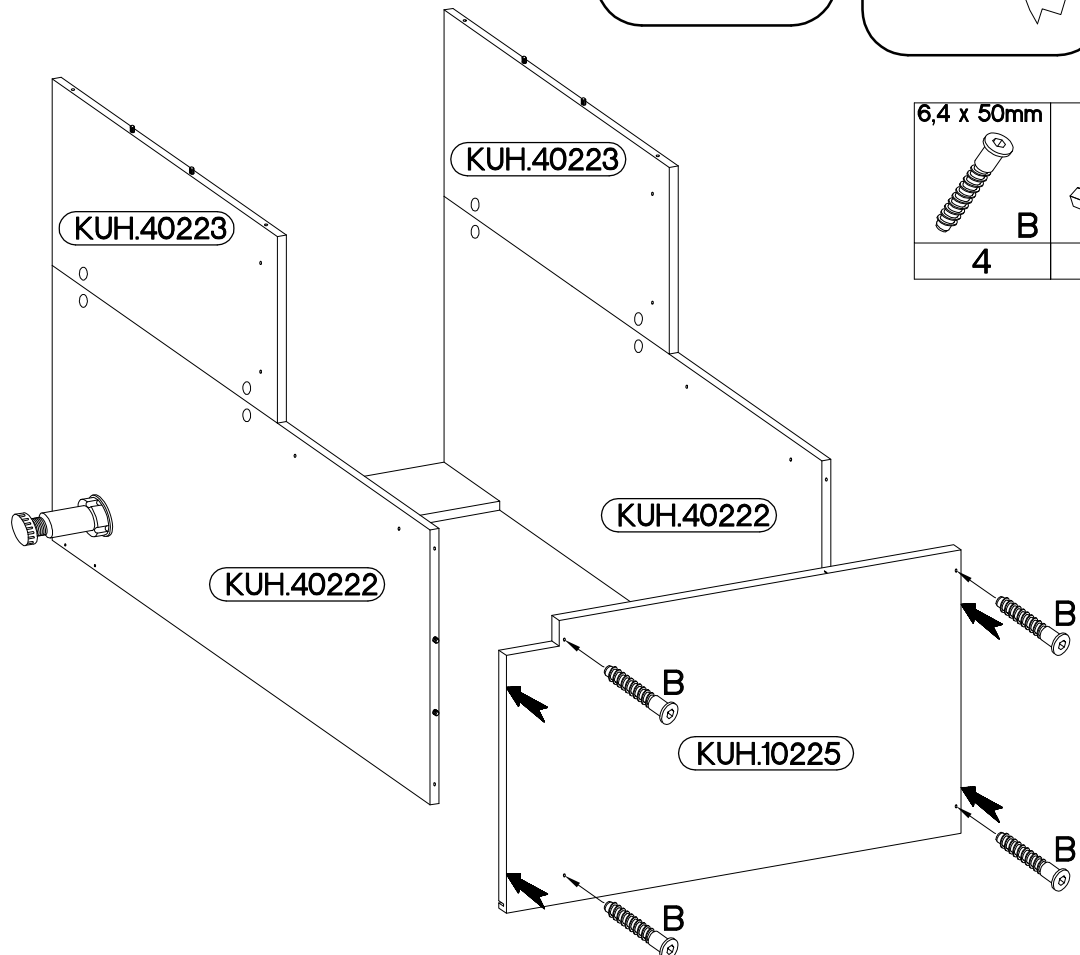
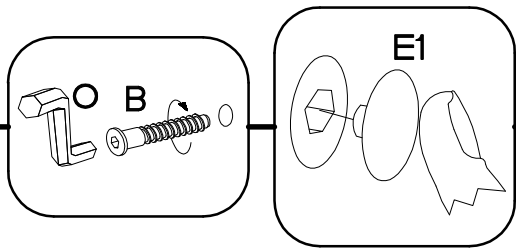


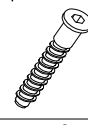
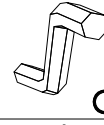

3

6,4 x 50mm	
	
B	O
4	1



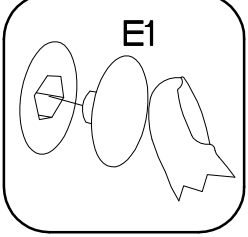
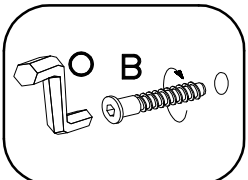
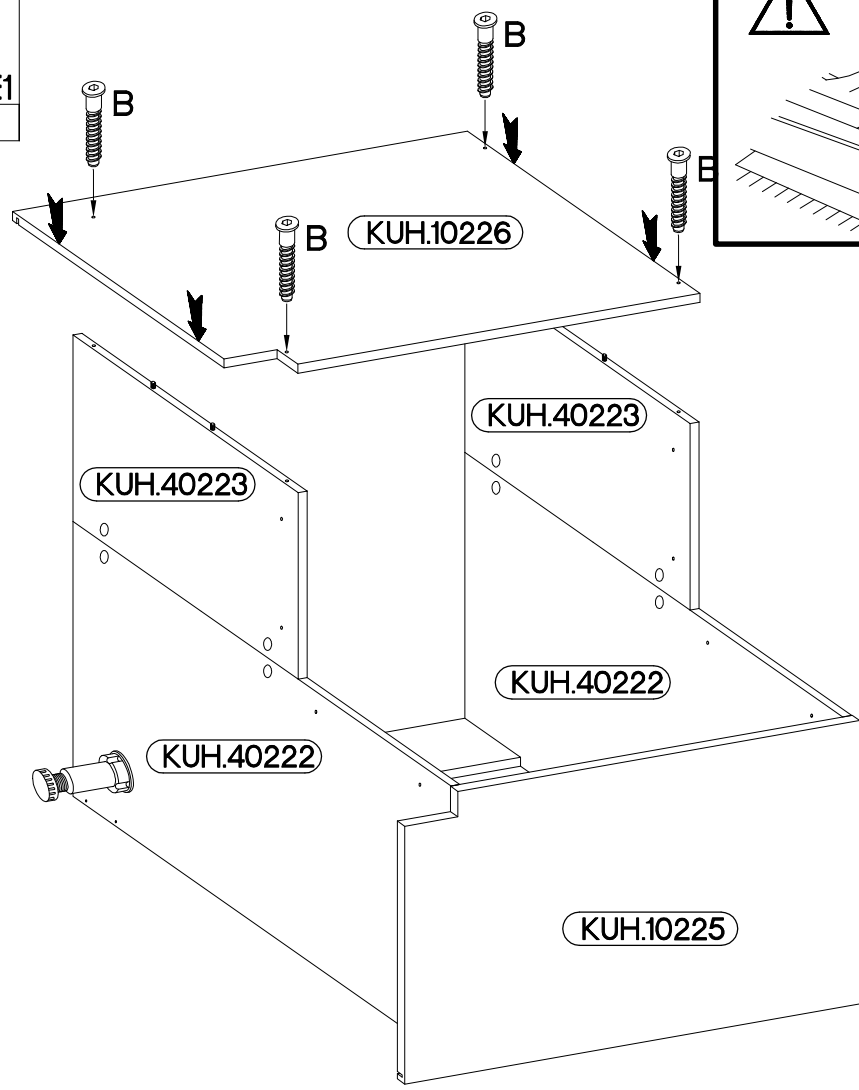
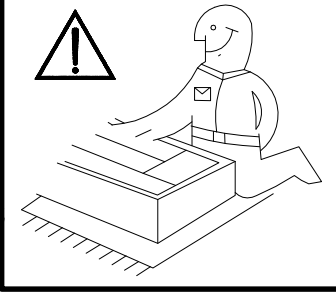
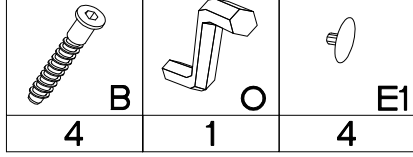
4



6,4 x 50mm		
		
B	O	E1
4	1	4

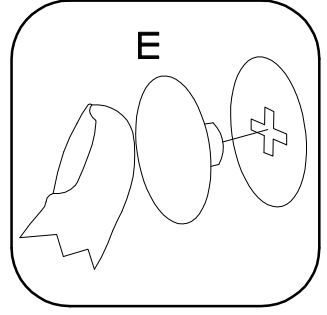
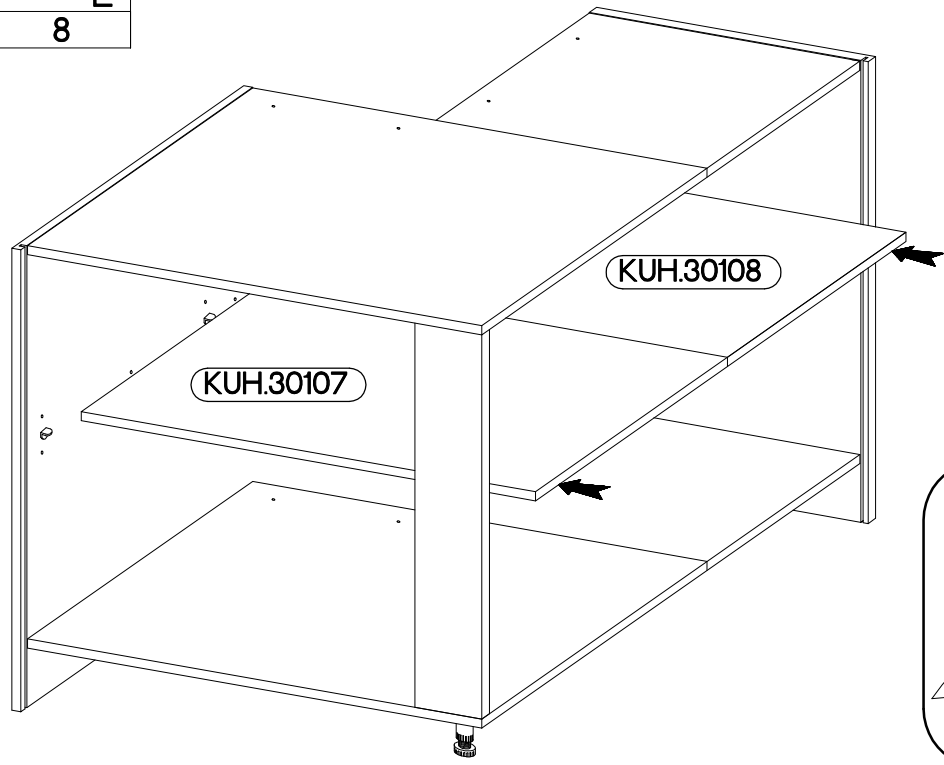
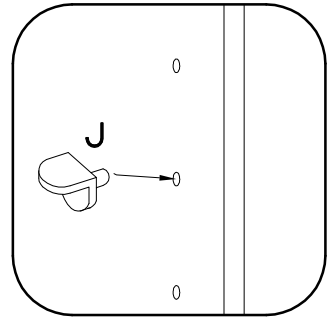
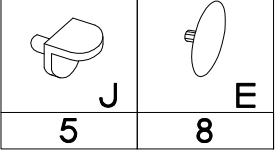
5

6,4 x 50mm




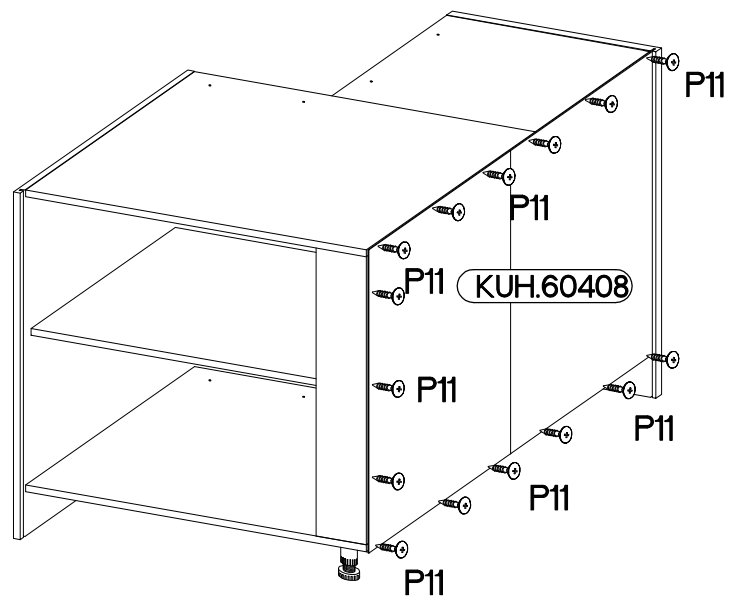
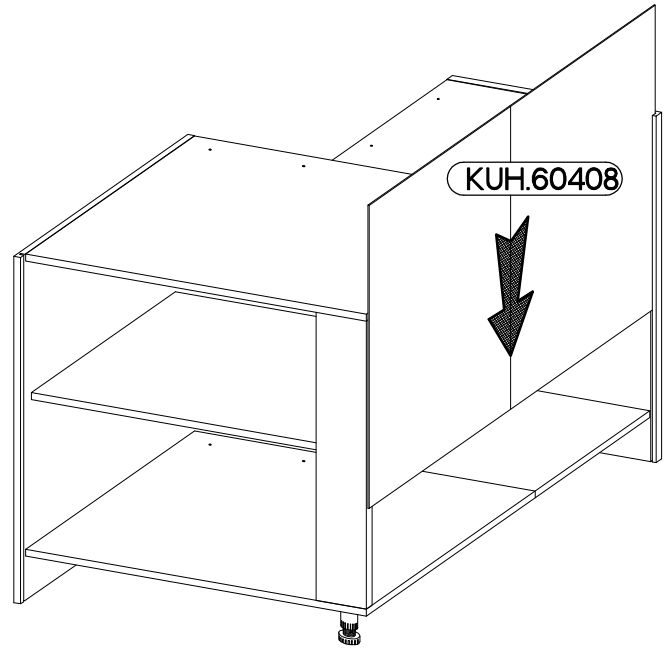
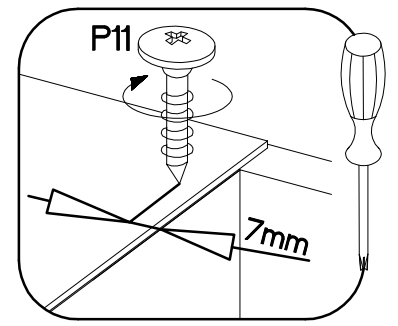
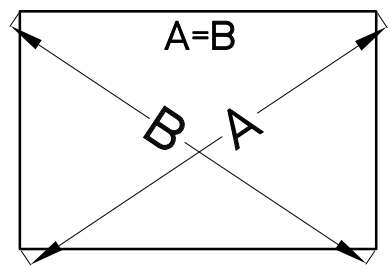
6

±5/19mm




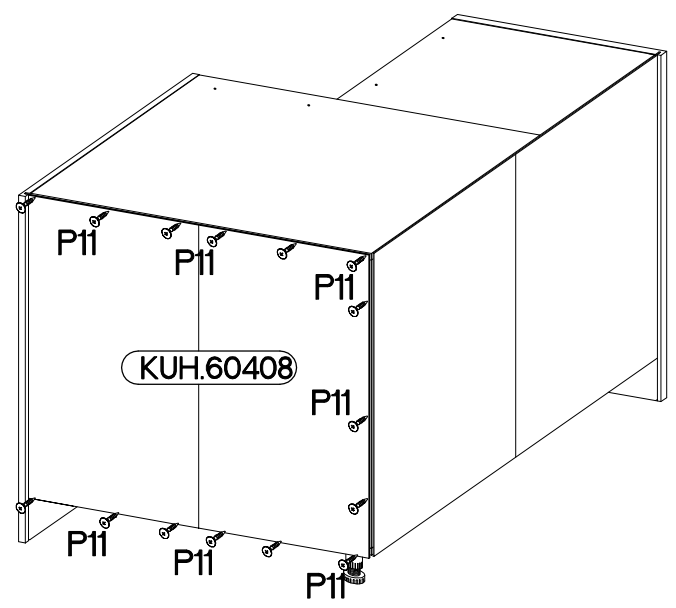
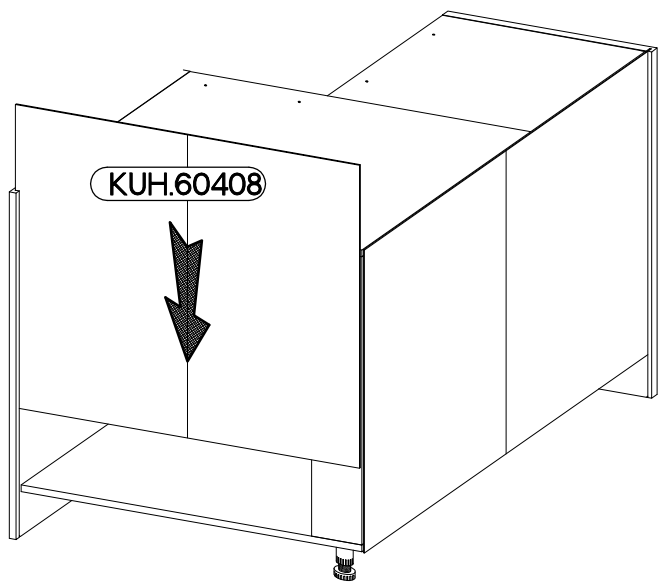
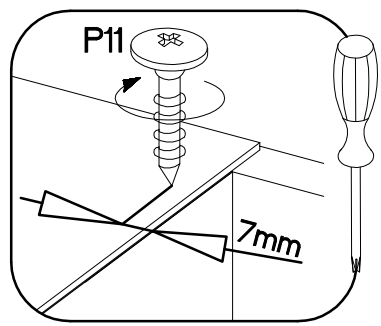
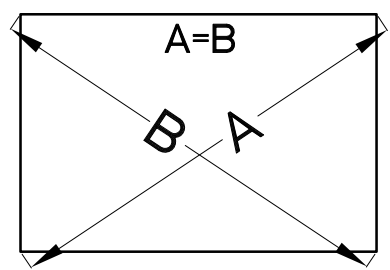
7

3.0x16mm  
  
 P11  
 15



8

3.0x16mm  
  
 P11  
 15



9

±4.0x45mm



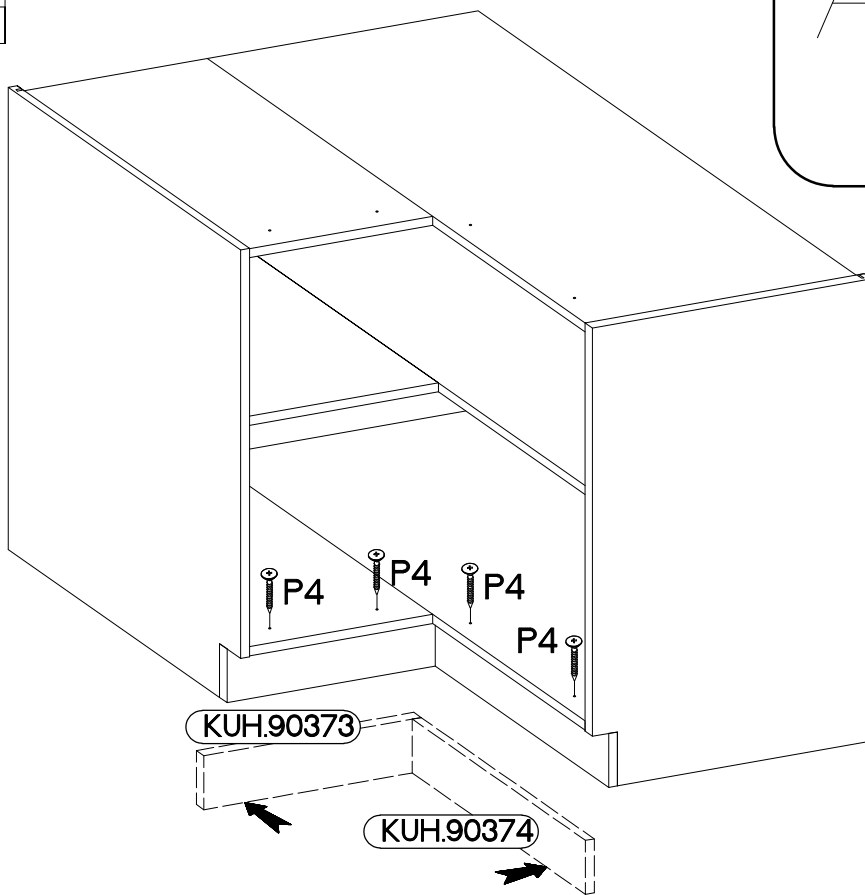
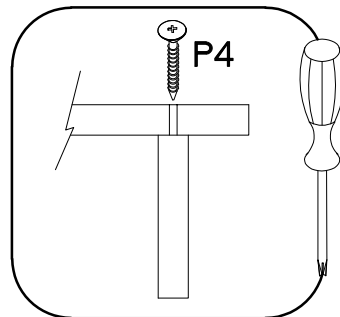
P4

4



E9

4



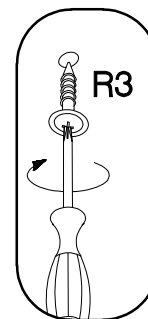
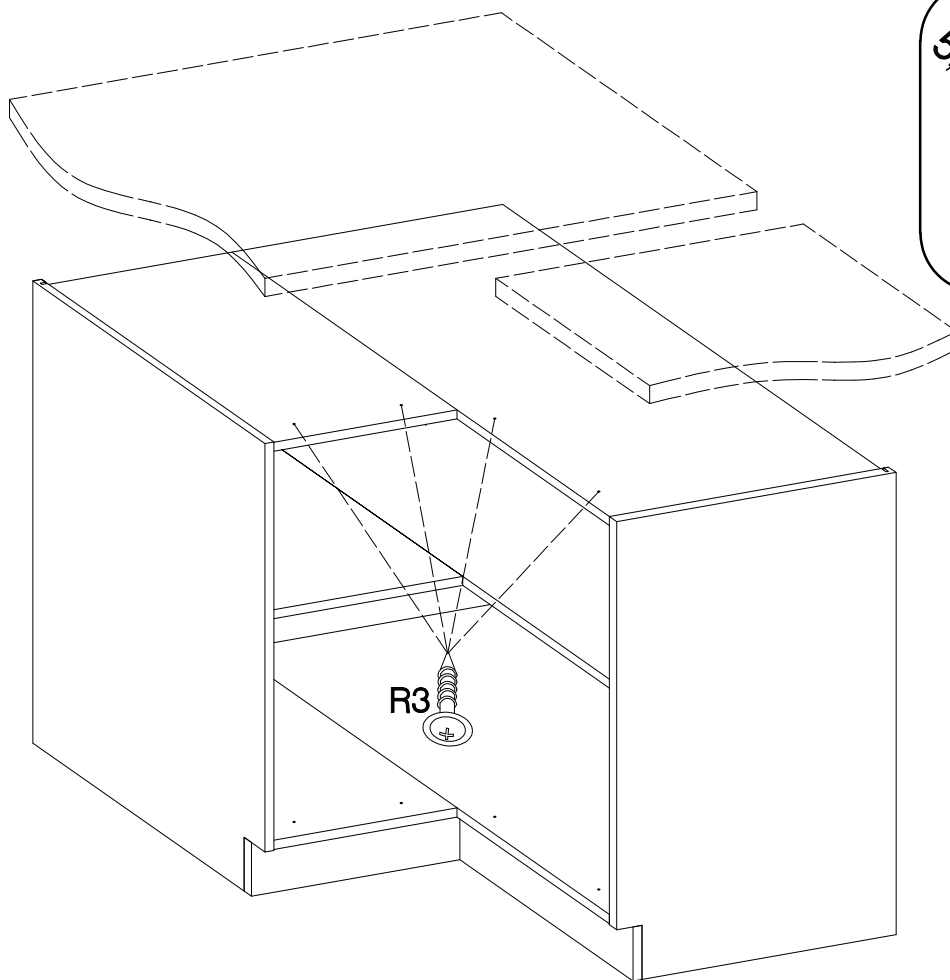
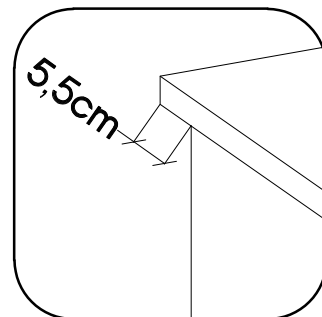
10

±4.0x35mm



R3

4



# FRONT

