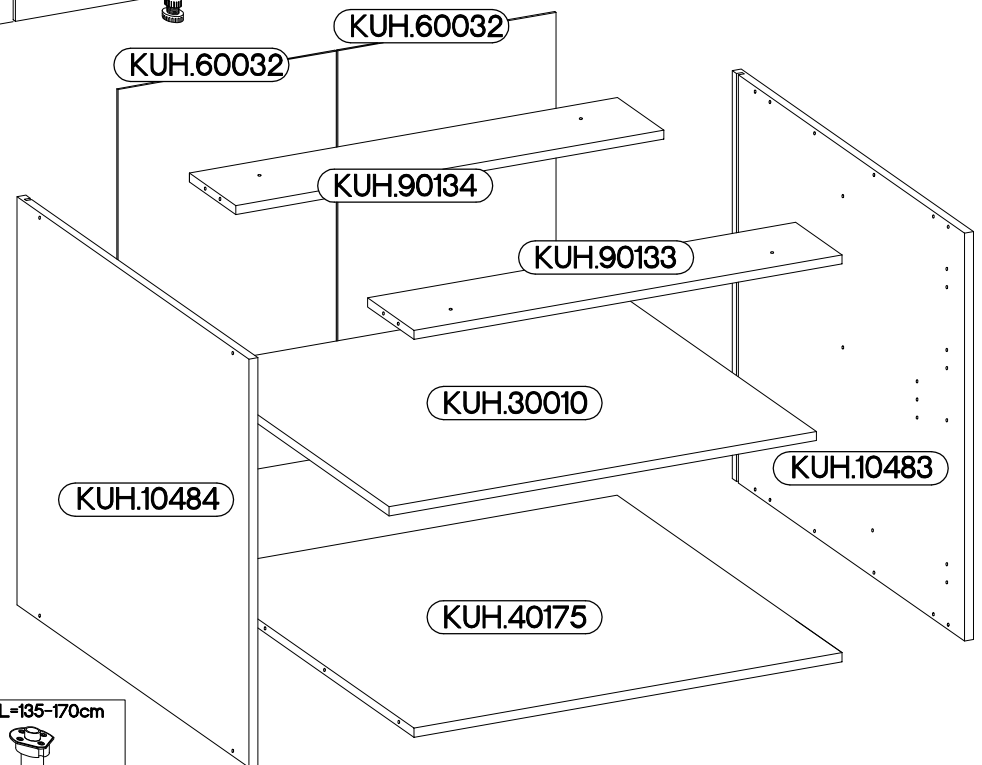
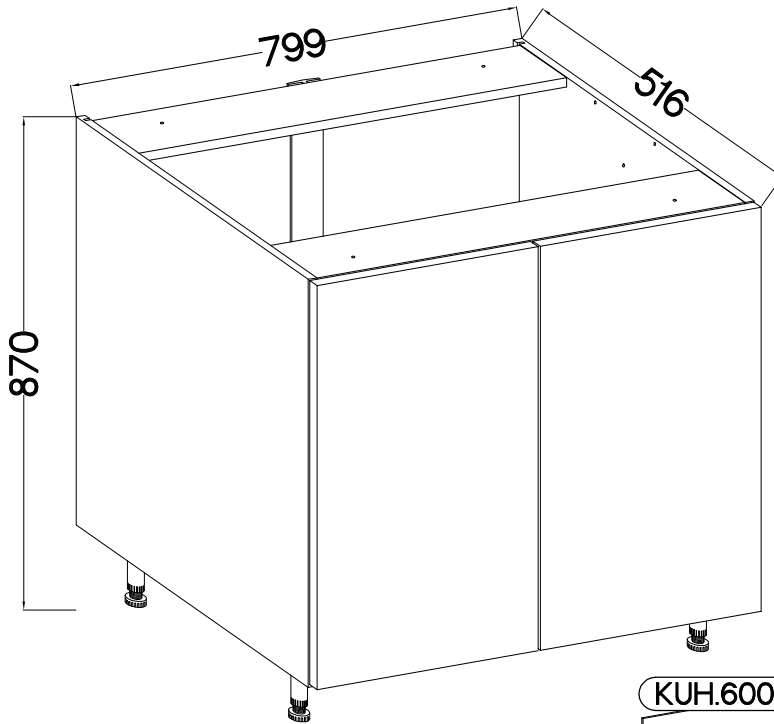
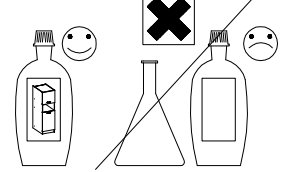
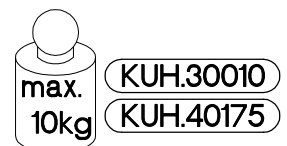


80 D 2F BB



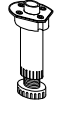

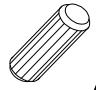
Ersatzteil Nummer	Dimension
KUH.10483	720x500x16
KUH.10484	720x500x16
KUH.30010	766x430x16
KUH.40175	767x485x16
KUH.60032 x2	713x391x2,5
KUH.90133	767x100x16
KUH.90134	767x100x16

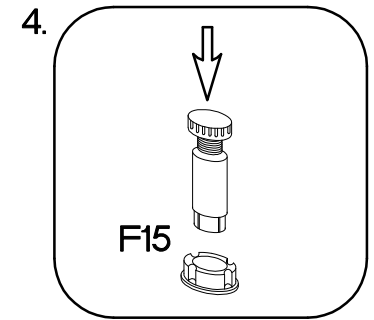
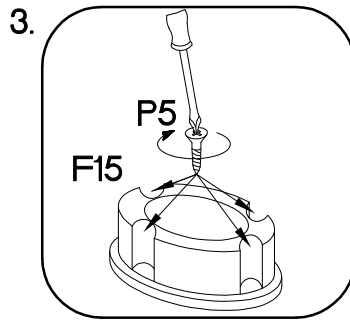
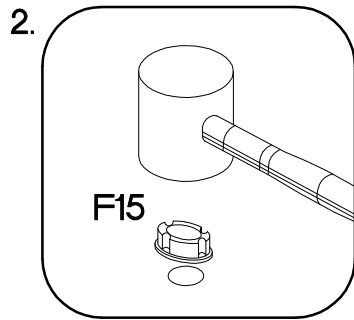
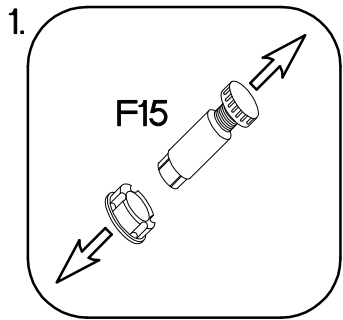
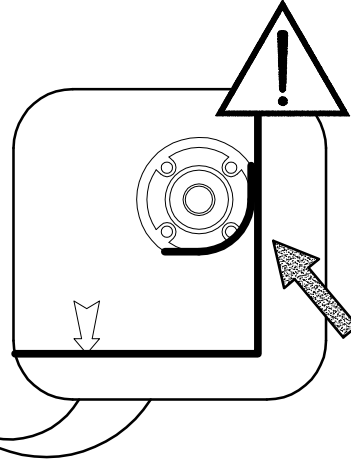
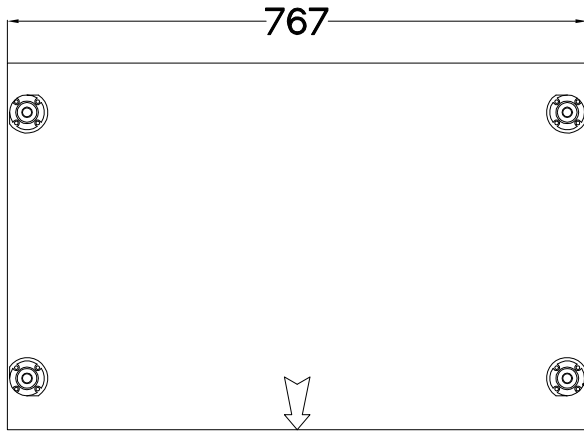
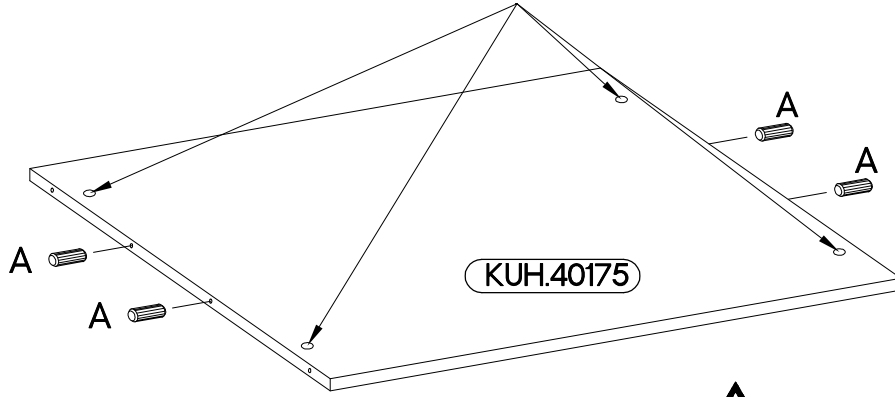
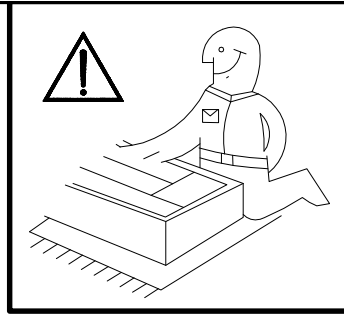
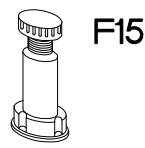
$\pm 8 \times 30 \text{mm}$	6,4 x 50mm			L=135-170cm		
A	B	E1	F16	F15		
8	8	8	2	4		
[CD] HG		L1=680mm		$\pm 3.5 \times 13 \text{mm}$	$\pm 3.0 \times 20 \text{mm}$	$\pm 4.0 \times 35 \text{mm}$
HG	J	L1	O	P5	P7	R3
4	4	1	1	28	10-15	4



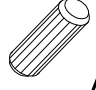
ISM-KUH-01803

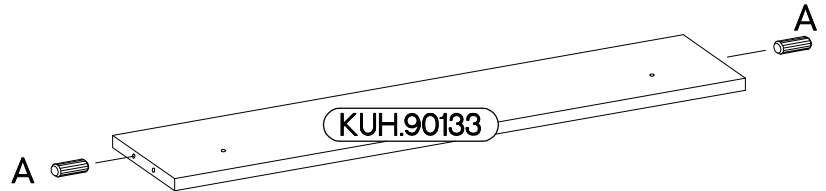
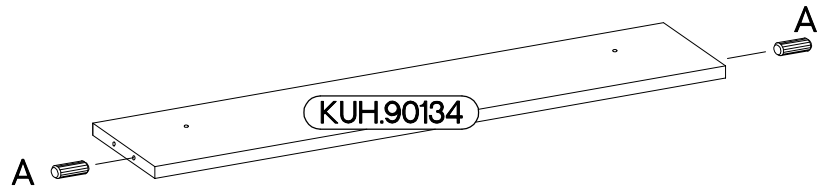
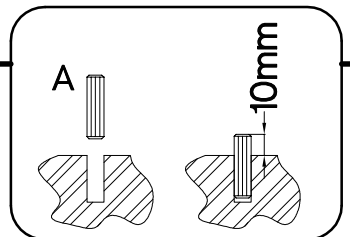
1

L=135-170cm  F15 4	+3.5x13mm  P5 16	+8x30mm  A 4
---	---	---



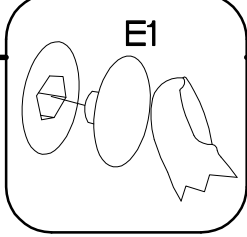
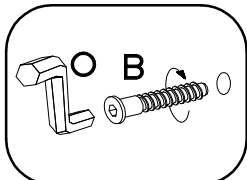
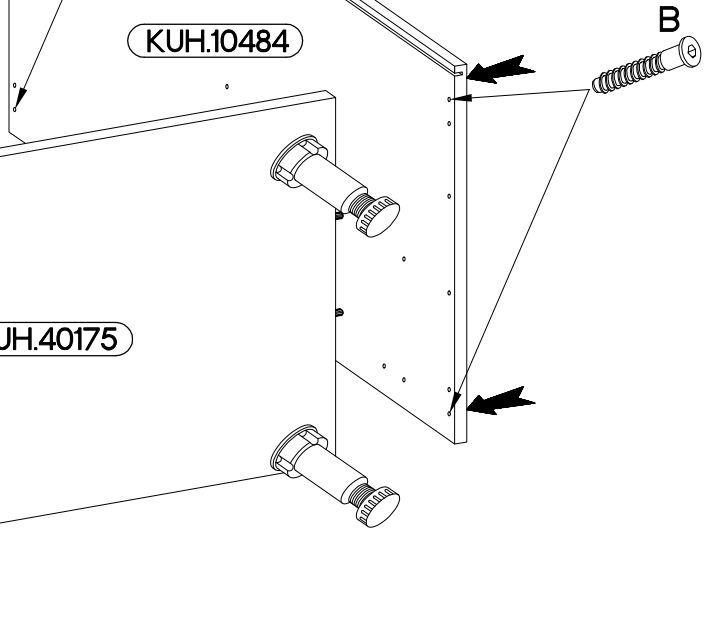
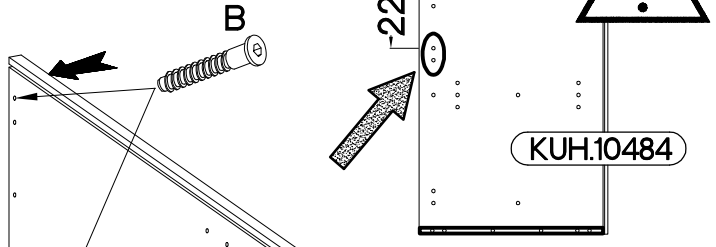
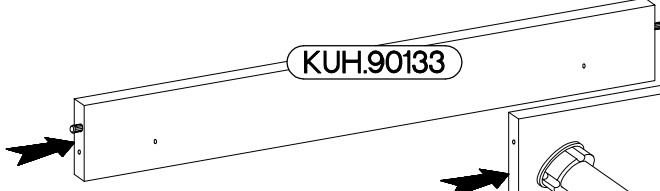
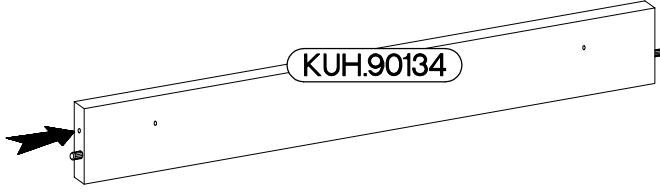
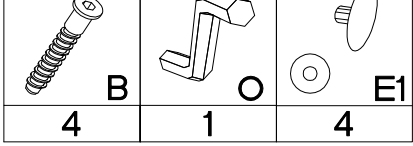
2

+8x30mm  A 4
--

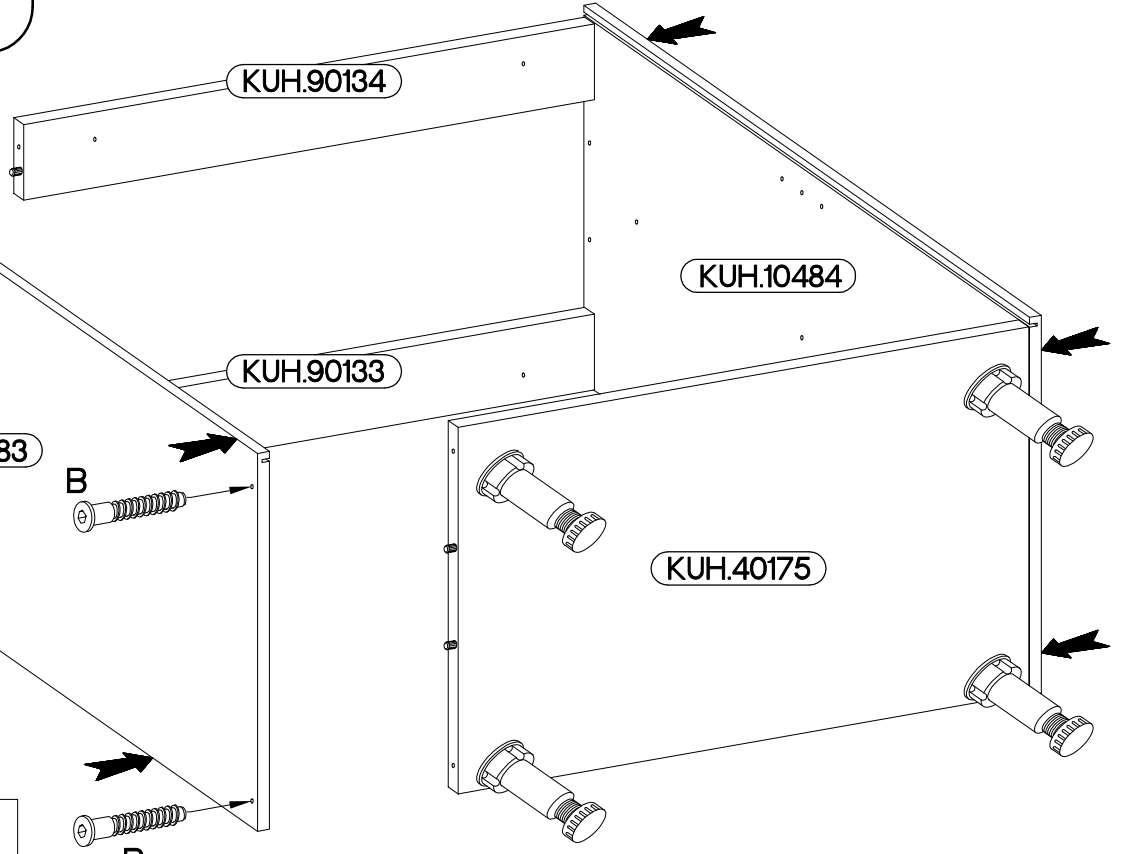


3

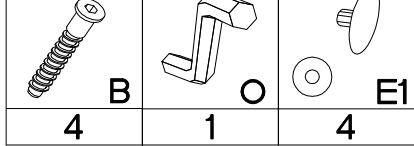
6,4 x 50mm



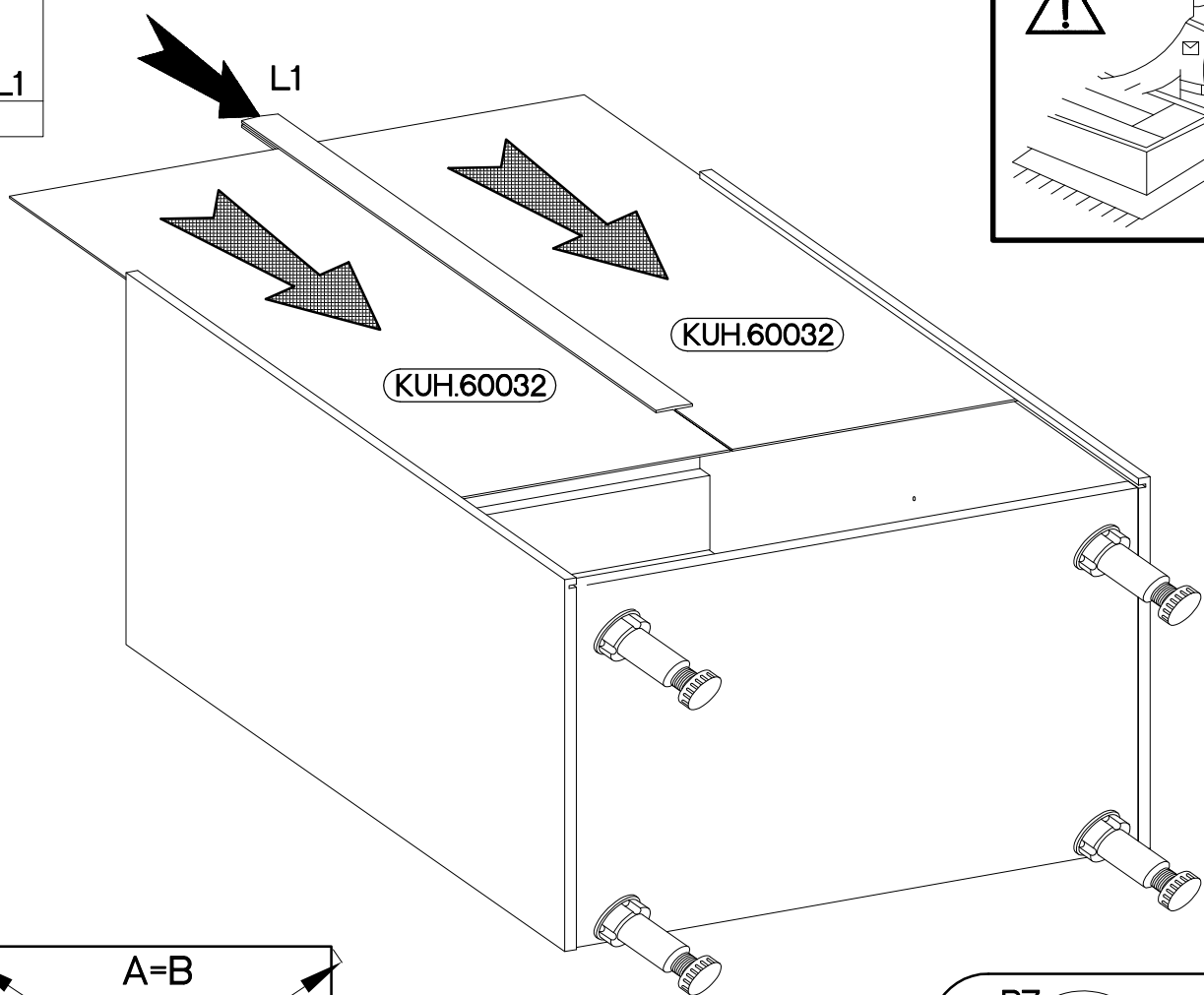
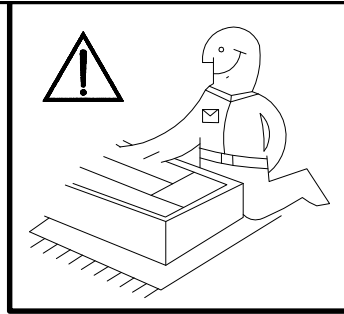
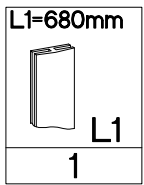
4



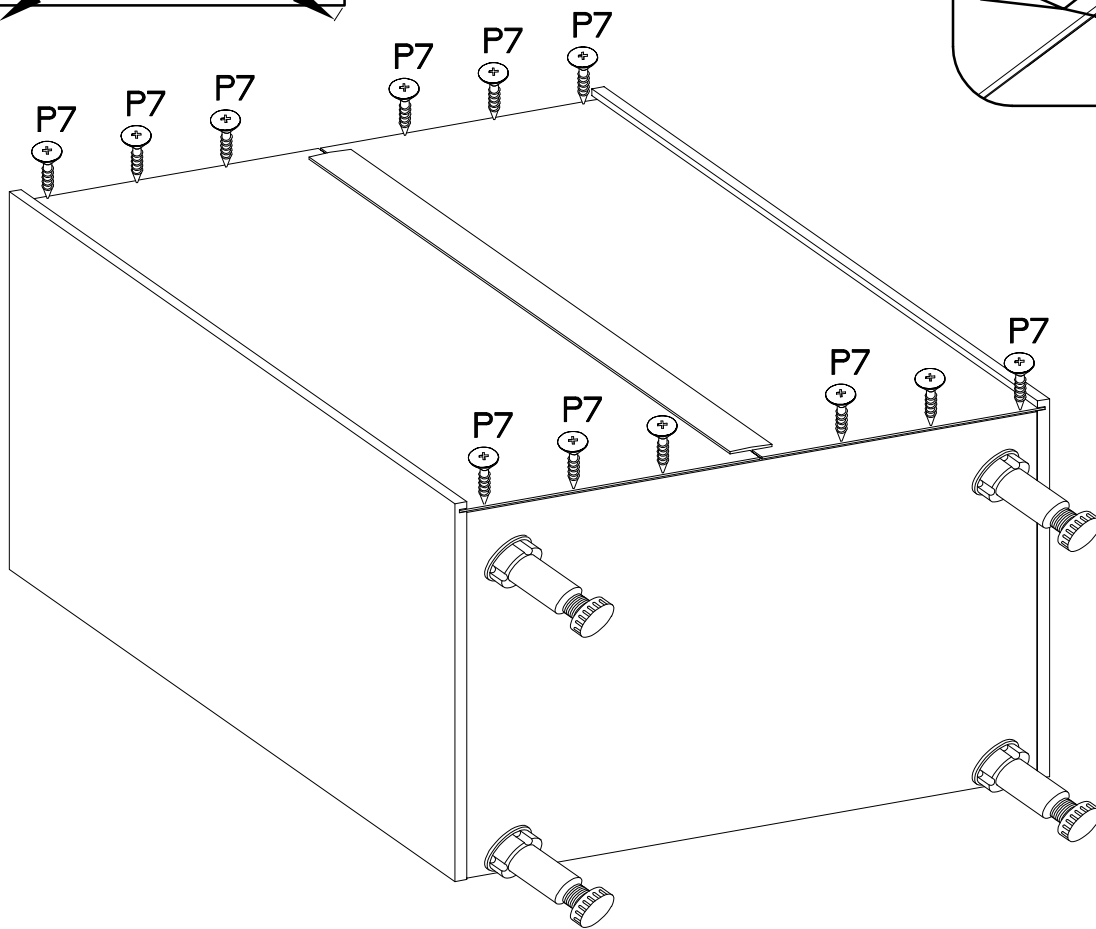
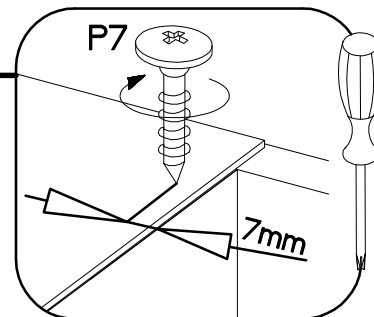
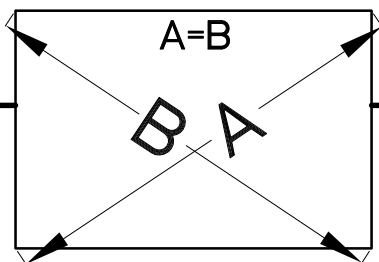
6,4 x 50mm



5



6






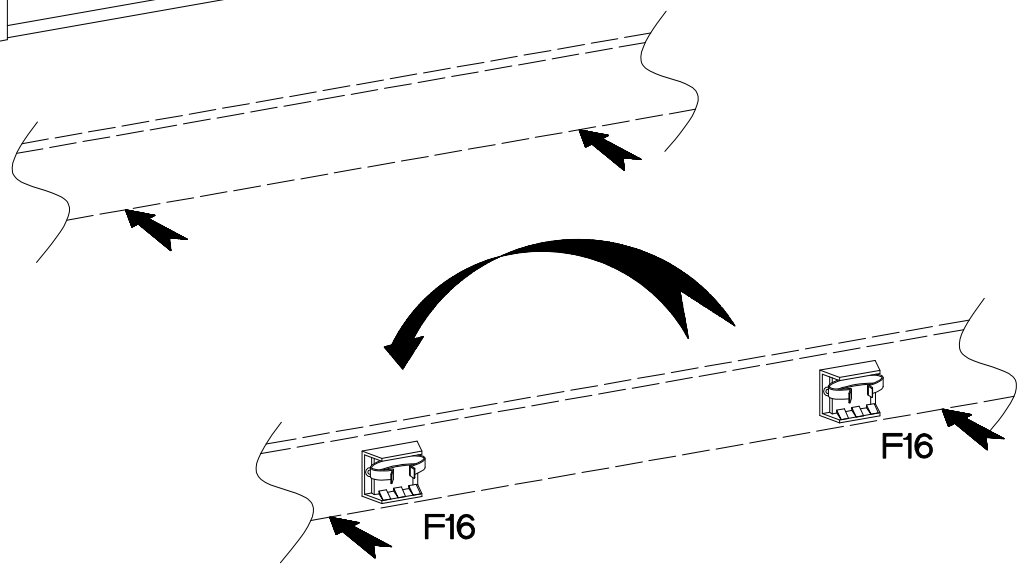
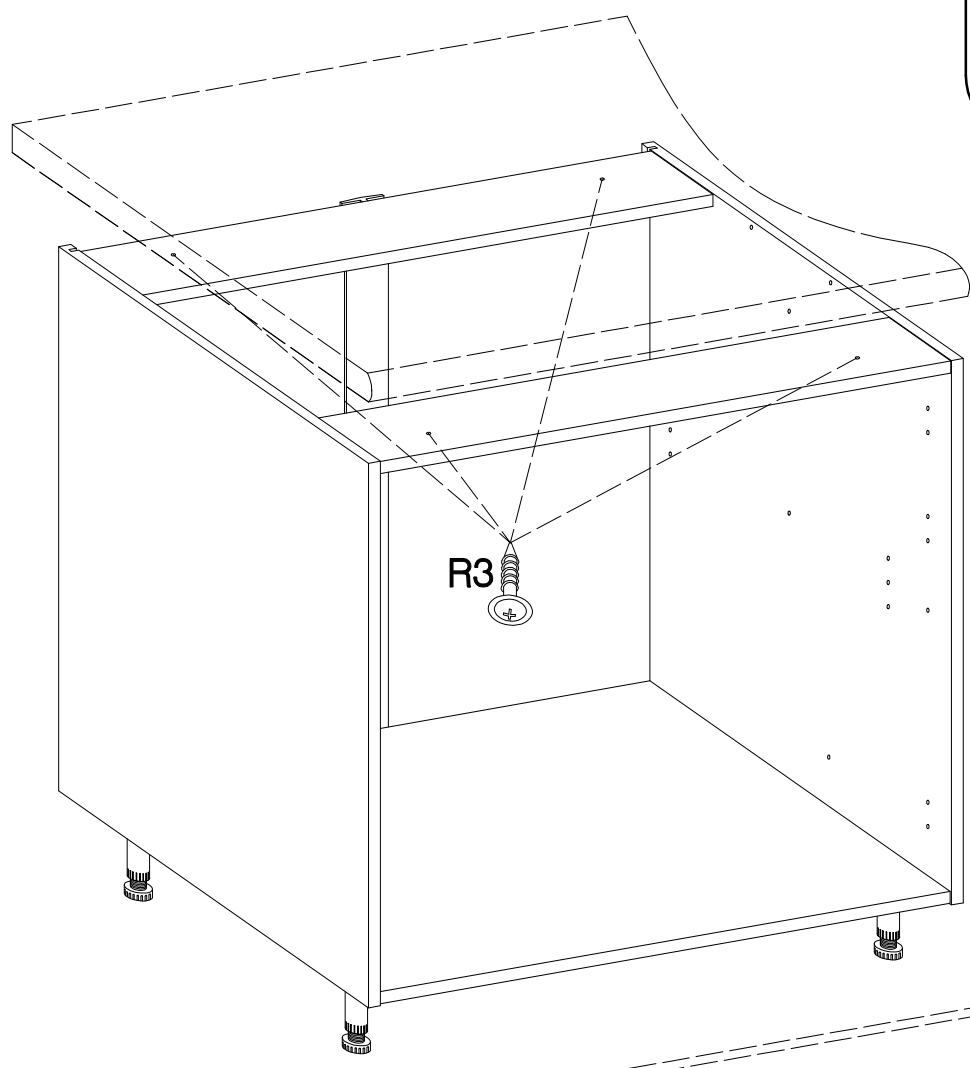
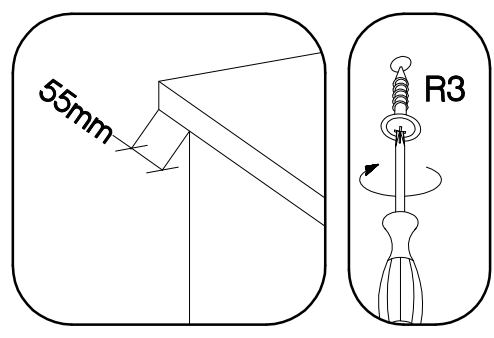
±3.0x20mm

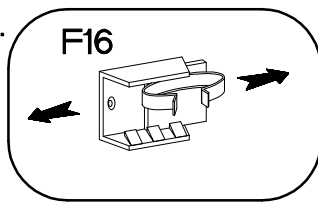
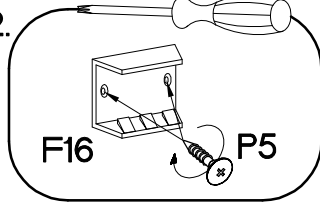
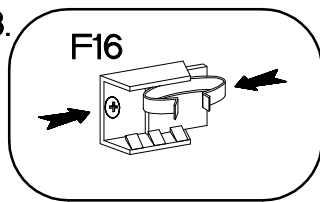
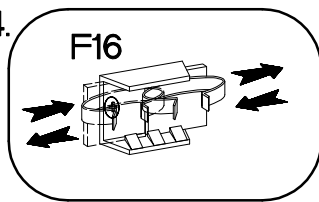


P7

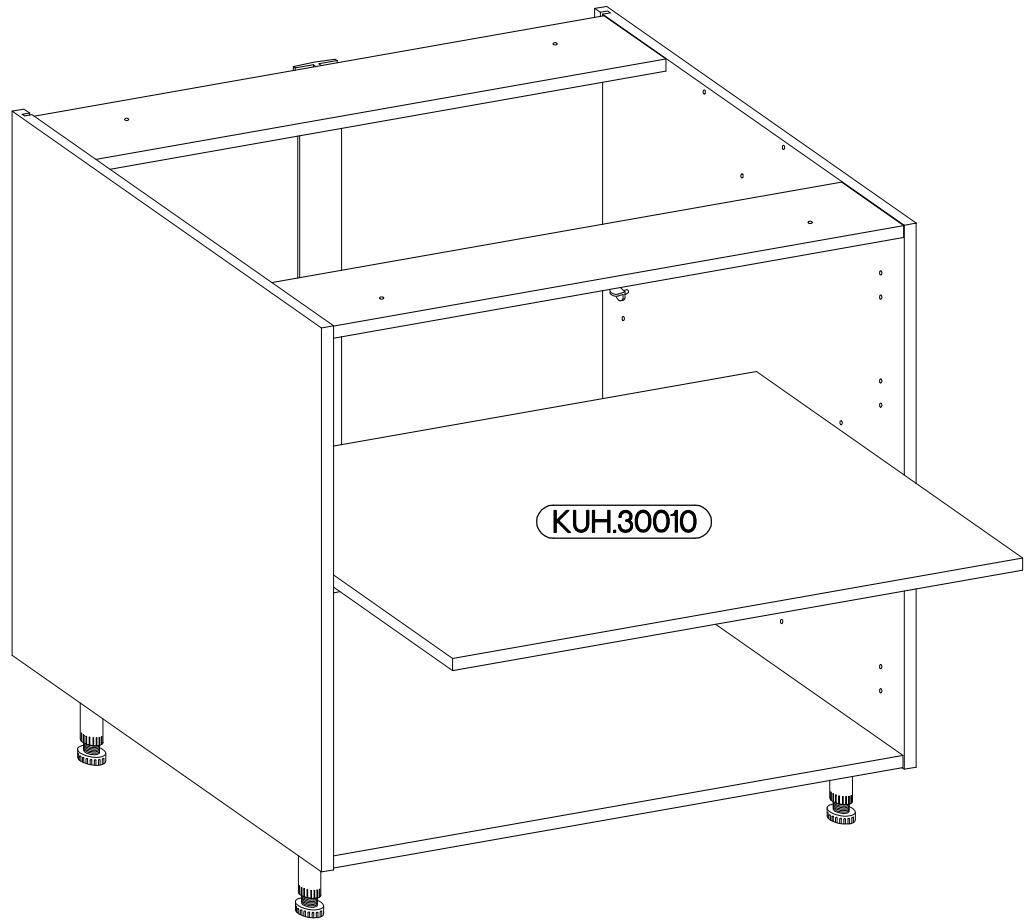
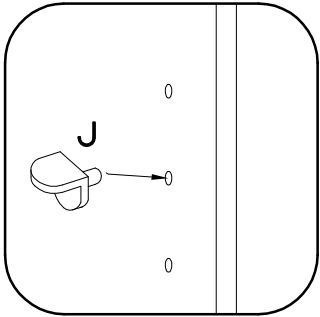
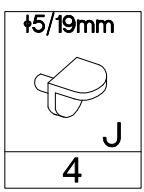
10-15

$\pm 4.0 \times 35 \text{mm}$  R3 4	 F16 2	$\pm 3.5 \times 13 \text{mm}$  P5 4
--	--	--



- 
- 
- 
- 

8



9

FRONT

